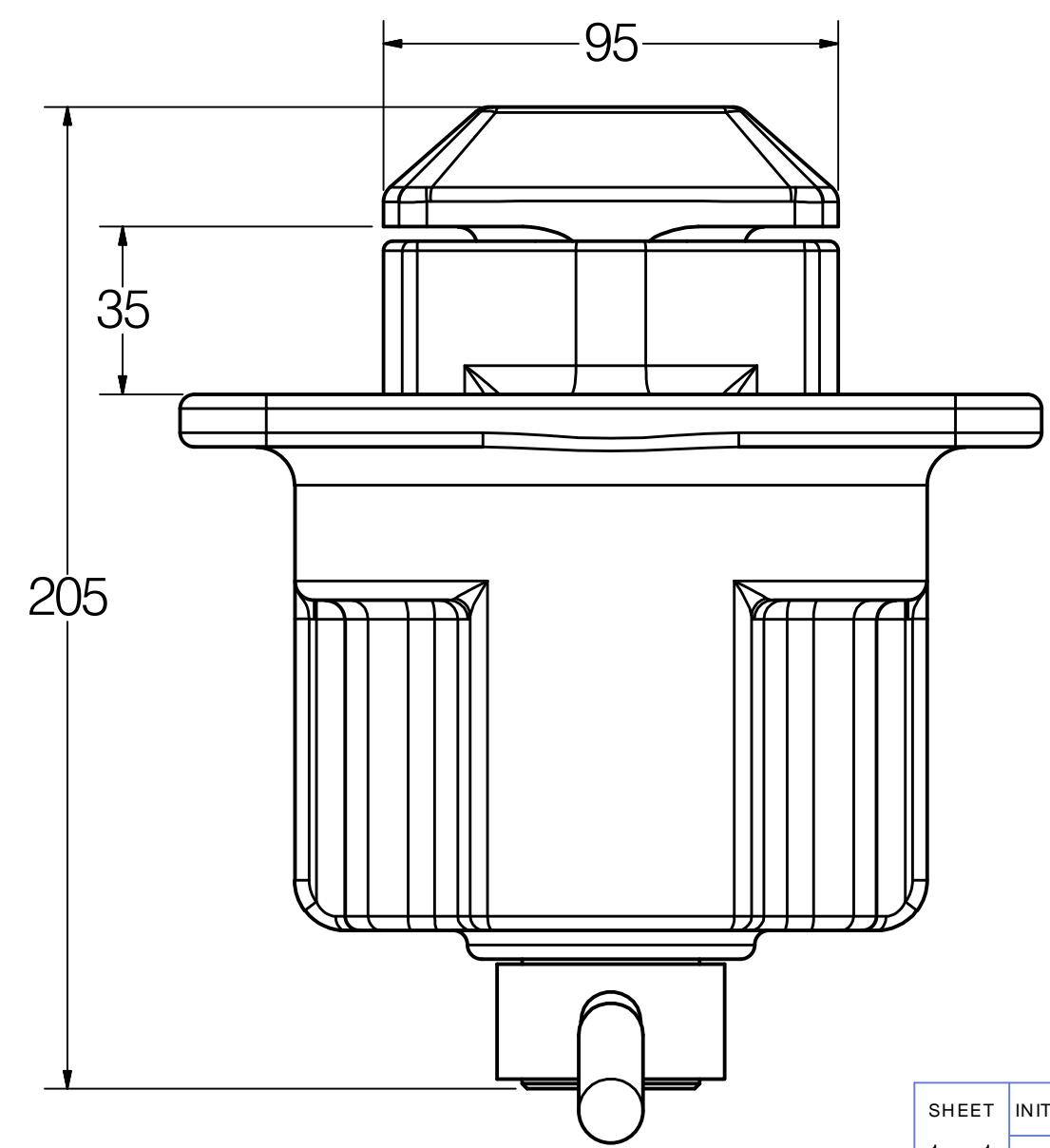
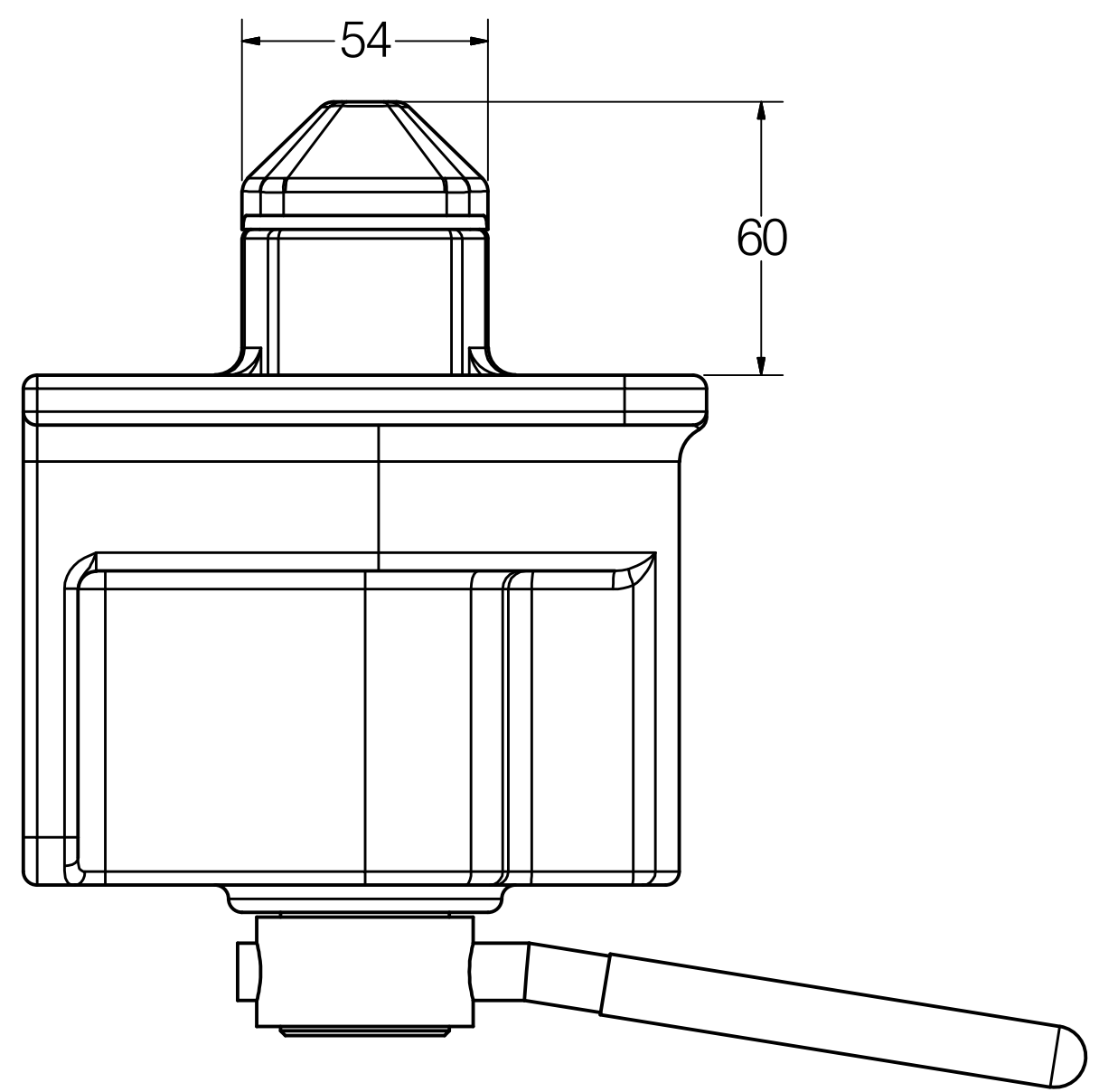
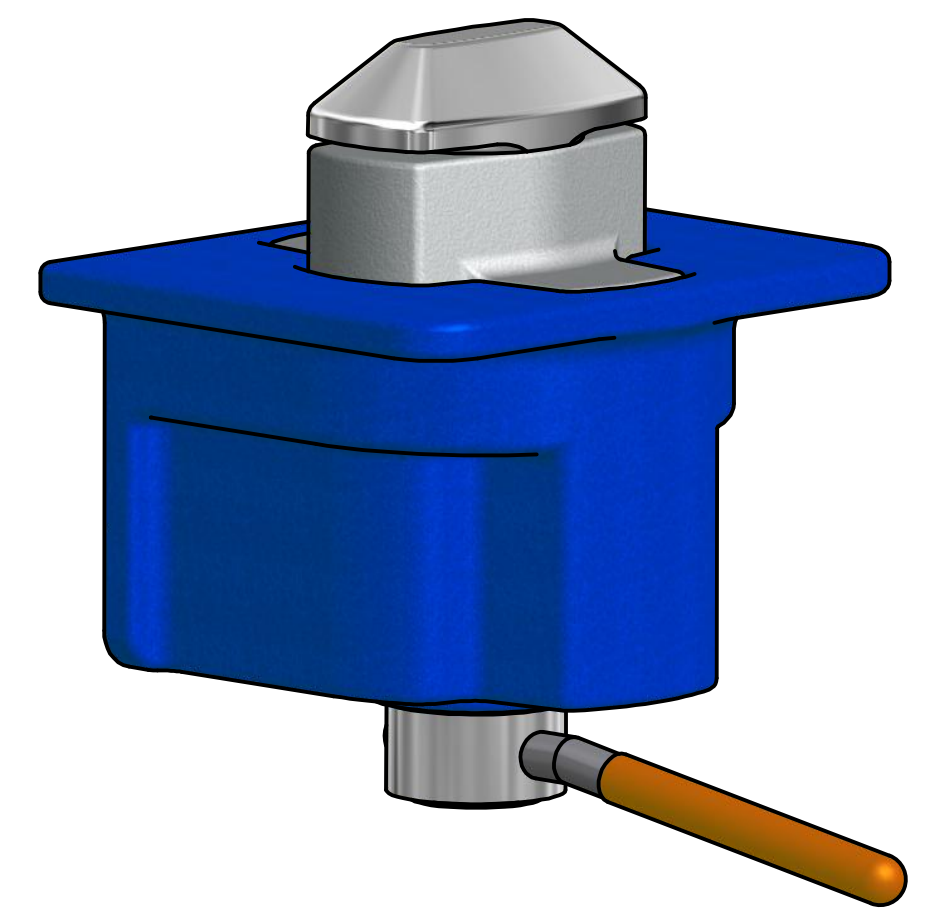
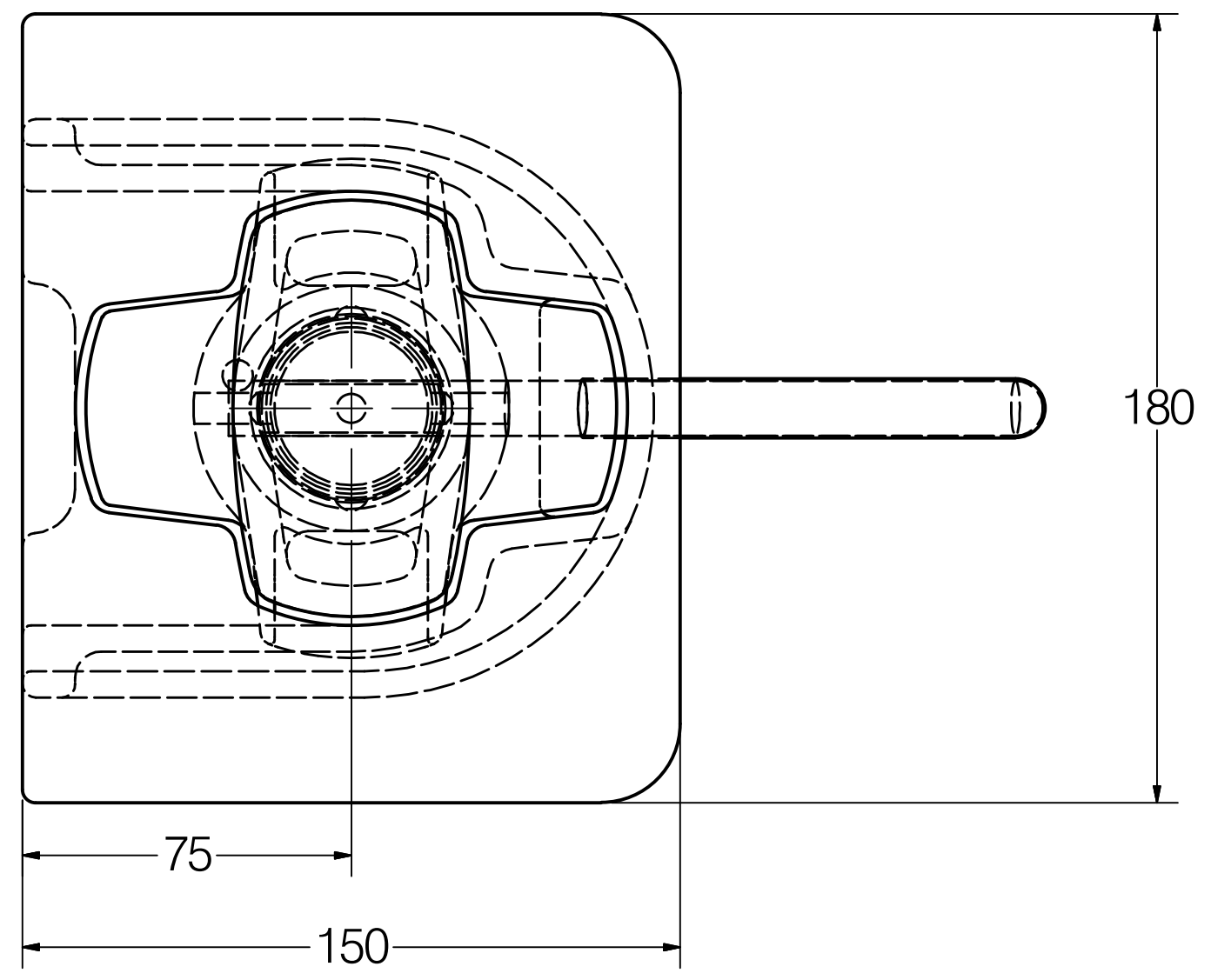


| | | | | | | | |
|------|------|-----|----------|-----|----|------|---------|
| DCN. | ECN. | ECR | LOCATION | REV | BY | DATE | REMARKS |
| - | - | - | - | - | - | - | - |



| | |
|----|--|
| CC | FEATURES LABELED AS SUCH SHALL REQUIRE STATISTICAL PROCESS CONTROL |
| SC | FEATURES LABELED AS SUCH REQUIRE REFERENCE TO A CONTROL PLAN |

| | | | | | | | | | | | | | |
|-------------------|------------|---------------|-----|-----|---|-------|---|------|---|-------|---|-------|---|
| SHEET | INITIALS | DR. | JMB | CK. | - | ENGR. | - | MFG. | - | QUAL. | - | MATL. | - |
| 1 OF 1 | DATE | 3/21/2011 | | | | | | | | | | | |
| COUNTRY OF ORIGIN | 3RD ANGLE | DO NOT SCALE | | | | | | | | | | | |
| UNITS | PROJECTION | PLOT SCALE | 1:1 | | | | | | | | | | |
| MILLIMETERS | | DRAWING SCALE | NTS | | | | | | | | | | |

KRISRY International

KRISRY INTERNATIONAL, INC.
1000 N. Rand Rd. Suite 117
Wauconda, IL 60084
(847) 487-4907

| | | |
|--|--|---|
| <p>GEOMETRIC TOLERANCE SYMBOLS</p> <ul style="list-style-type: none"> CONCENTRICITY SYMMETRICAL PARALLELISM FLATNESS MOST MATERIAL CONDITION PROFILE OF A SURFACE LEAST MATERIAL CONDITION REGARDLESS OF FEATURE SIZE | <p>POSITION SYMBOLS</p> <ul style="list-style-type: none"> POSITION CIRCULARITY CYLINDRICITY TOTAL RUNOUT CIRCULAR RUNOUT PROFILE OF A LINE BASIC DIMENSION DATUM | <p>PERPENDICULARITY SYMBOLS</p> <ul style="list-style-type: none"> PERPENDICULARITY STRAIGHTNESS ANGULARITY |
|--|--|---|

| | |
|-----------------------|----------|
| DRAWING TITLE | REV |
| RETRACTABLE TWISTLOCK | |
| DRAWING NUMBER | DWG SIZE |
| BLR148RNS Mk2 | C |