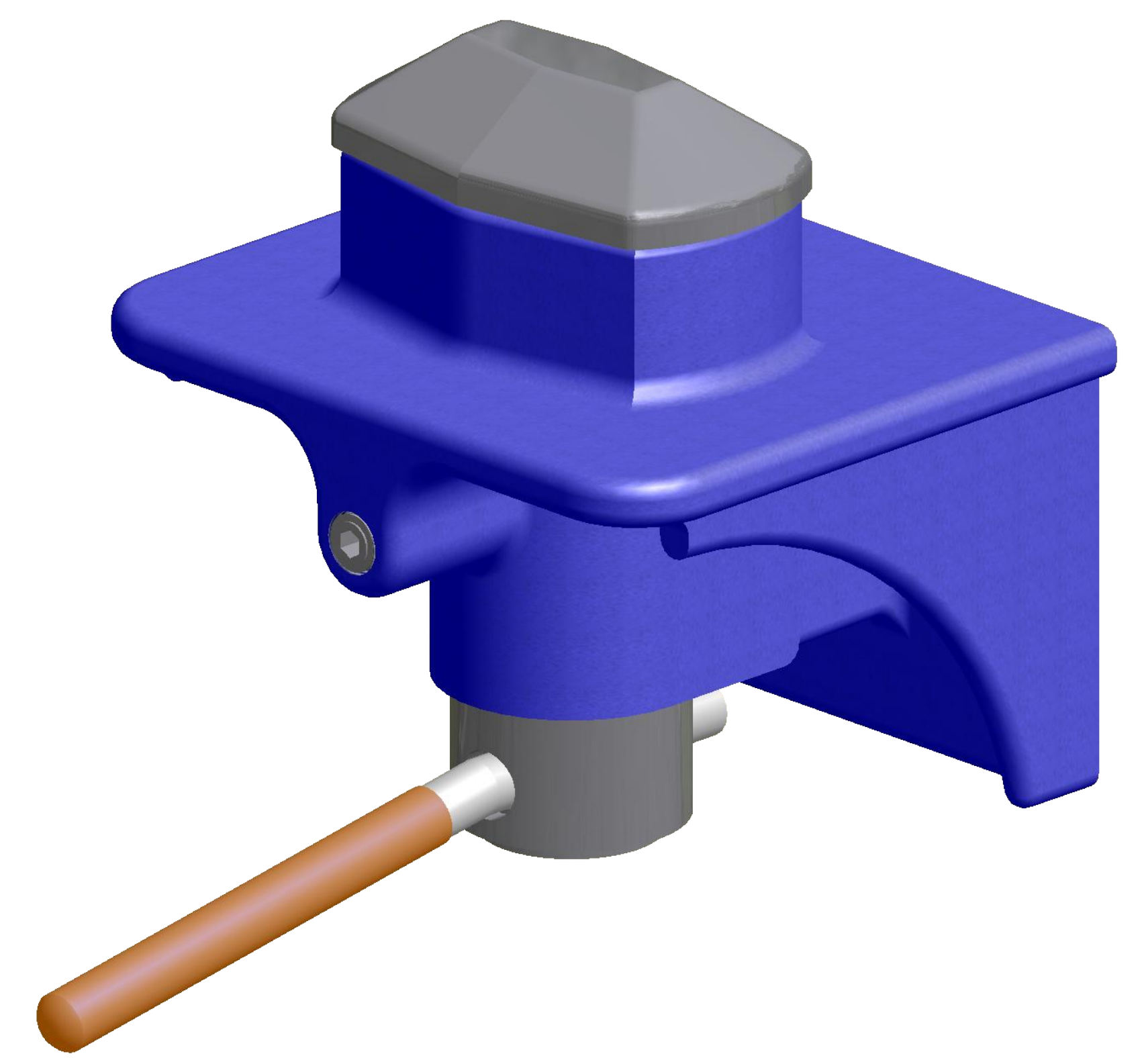
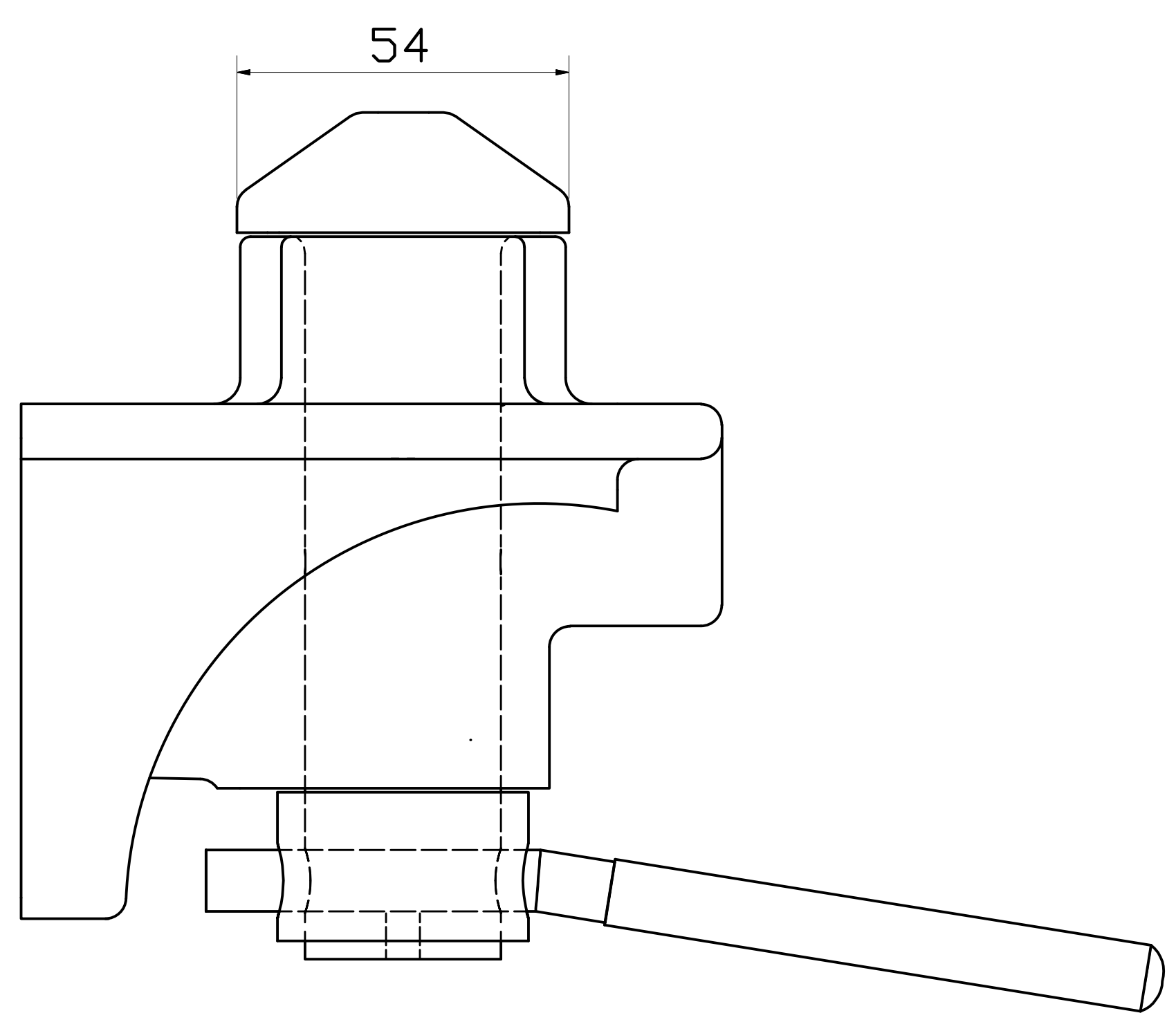
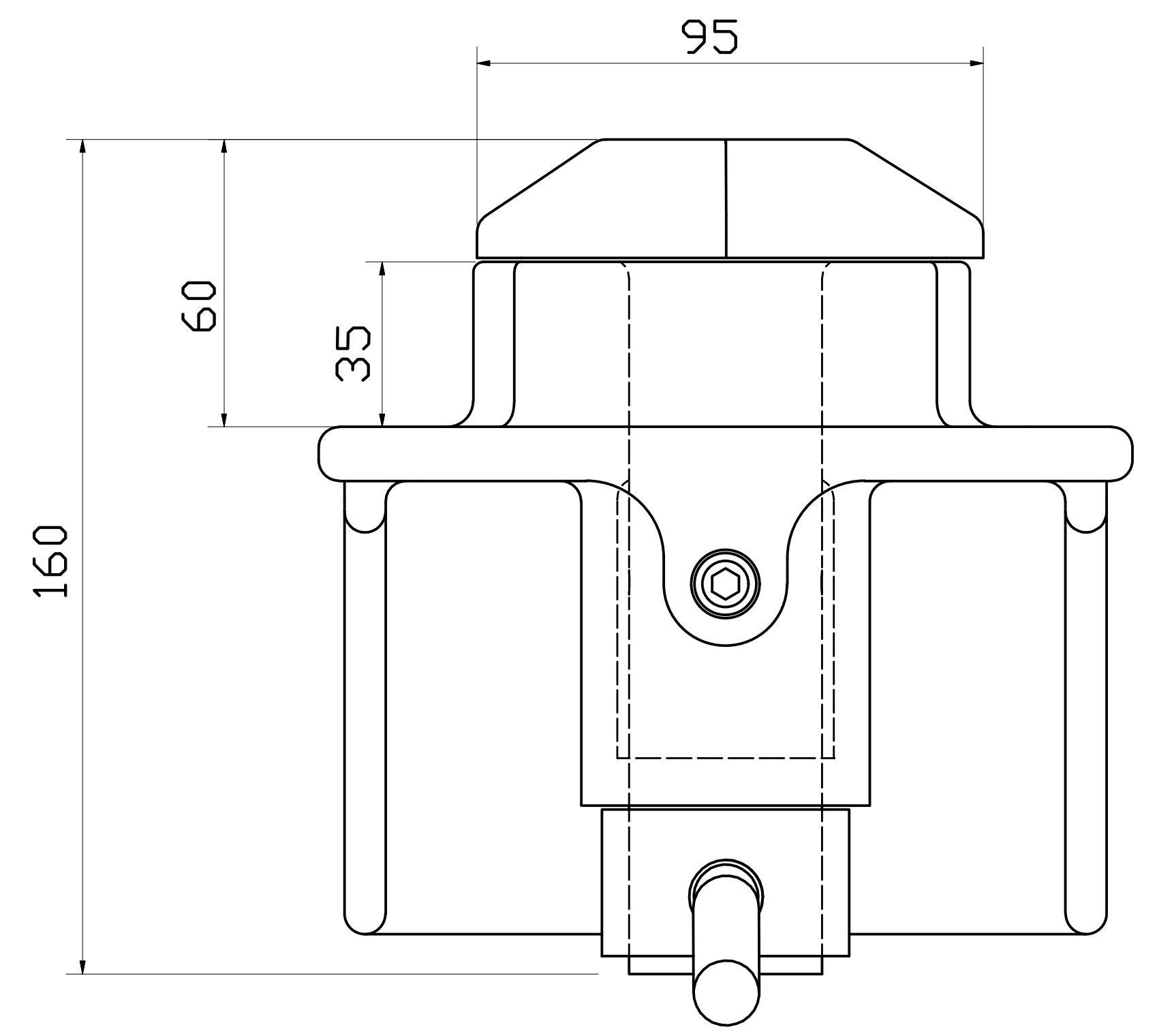
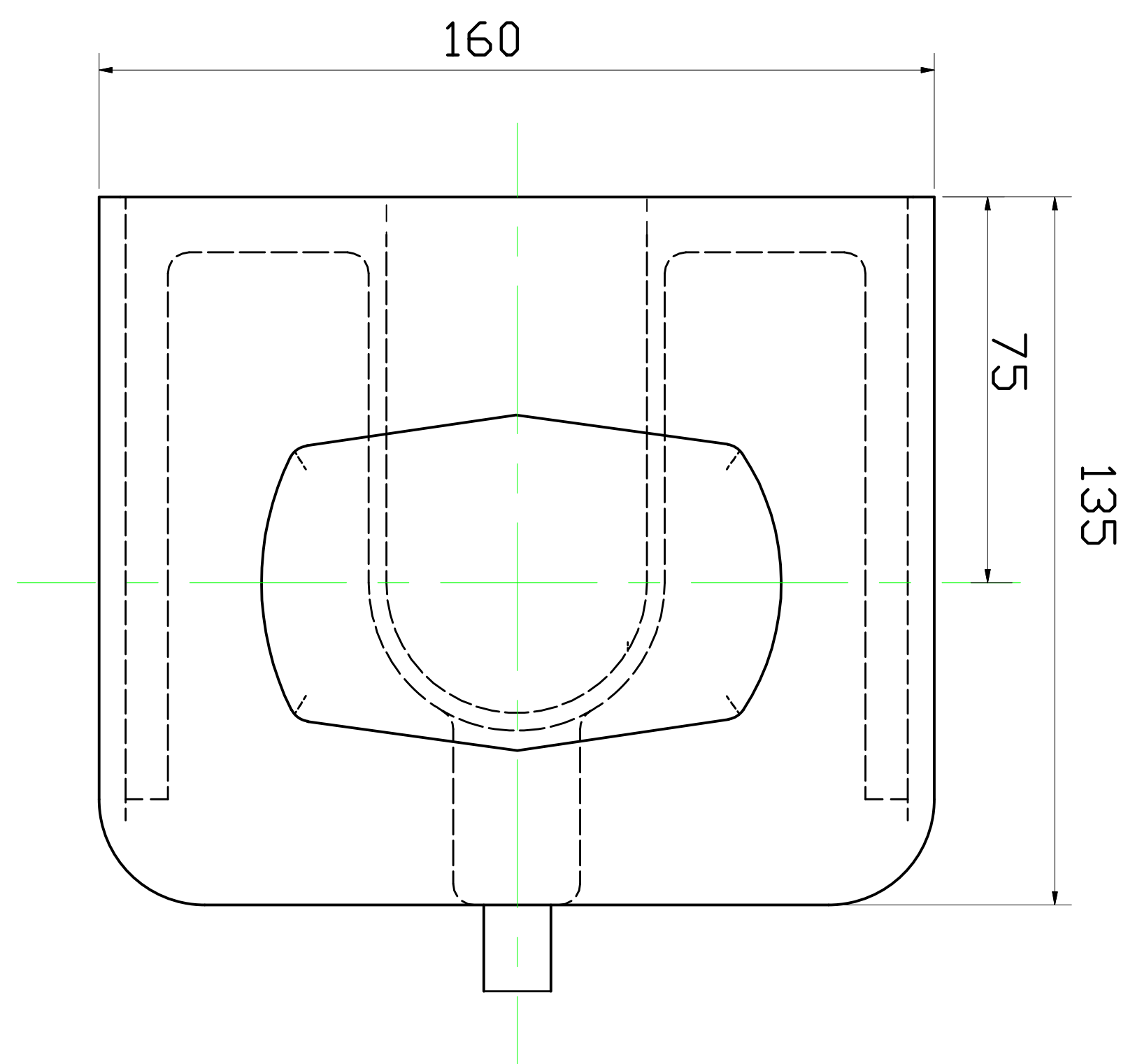


DCN, ECR, ECR	LOCATION	REV	BY	DATE	REMARKS	10	11
-	-	-	-	-	REVISIONS		
		CHK					



CC	FEATURES LABELED AS SUCH SHALL REQUIRE STATISTICAL PROCESS CONTROL
SC	FEATURES LABELED AS SUCH REQUIRE REFERENCE TO A CONTROL PLAN

SHEET	INITIALS	DR.	CK.	ENGR.	MFG.	QUAL.	MATL.
1 OF 1							
DATE	06/ 27/ 09	06/ 27/ 09	06/ 27/ 09	06/ 27/ 09	06/ 27/ 09	06/ 27/ 09	06/ 27/ 09
COUNTRY OF ORIGIN	U.S.A.						
UNITS	3RD ANGLE		DO NOT SCALE				
UNITS	PROJECTION		PLOT SCALE 1:1				
DRAWING SCALE 1:1			KRISRY INTERNATIONAL INC. (847) 487-4907 - phone 100 N. Rand Road, Suite 117 Wauconda, Illinois 60084				
GEOMETRIC TOLERANCE SYMBOLS ◎ CONCENTRICITY ⊕ POSITION ⊥ PERPENDICULARITY ≡ SYMMETRICAL ○ CIRCULARITY — STRAIGHTNESS // PARALLELISM ⊙ CIRCULARITY ∠ ANGULARITY / / FLATNESS ⊕ TOTAL RUNOUT ↗ CIRCULAR RUNOUT ⊕ MOST MATERIAL CONDITION ⊕ PROFILE OF A LINE ⊖ LEAST MATERIAL CONDITION ⊕ BASIC DIMENSION ⊕ REGARDLESS OF FEATURE SIZE ⊕ DATUM							
This drawing is the property of Krisry International Inc. It is furnished to you for confidential information purposes only. It is not to be disclosed to anyone else, reproduced, or used for manufacturing purposes without the express written permission of Krisry International Inc..							
DRAWING TITLE							REV
DRAWING NUMBER							DWG SIZE
BLR 149 2NR							D
PATH & FILENAME							