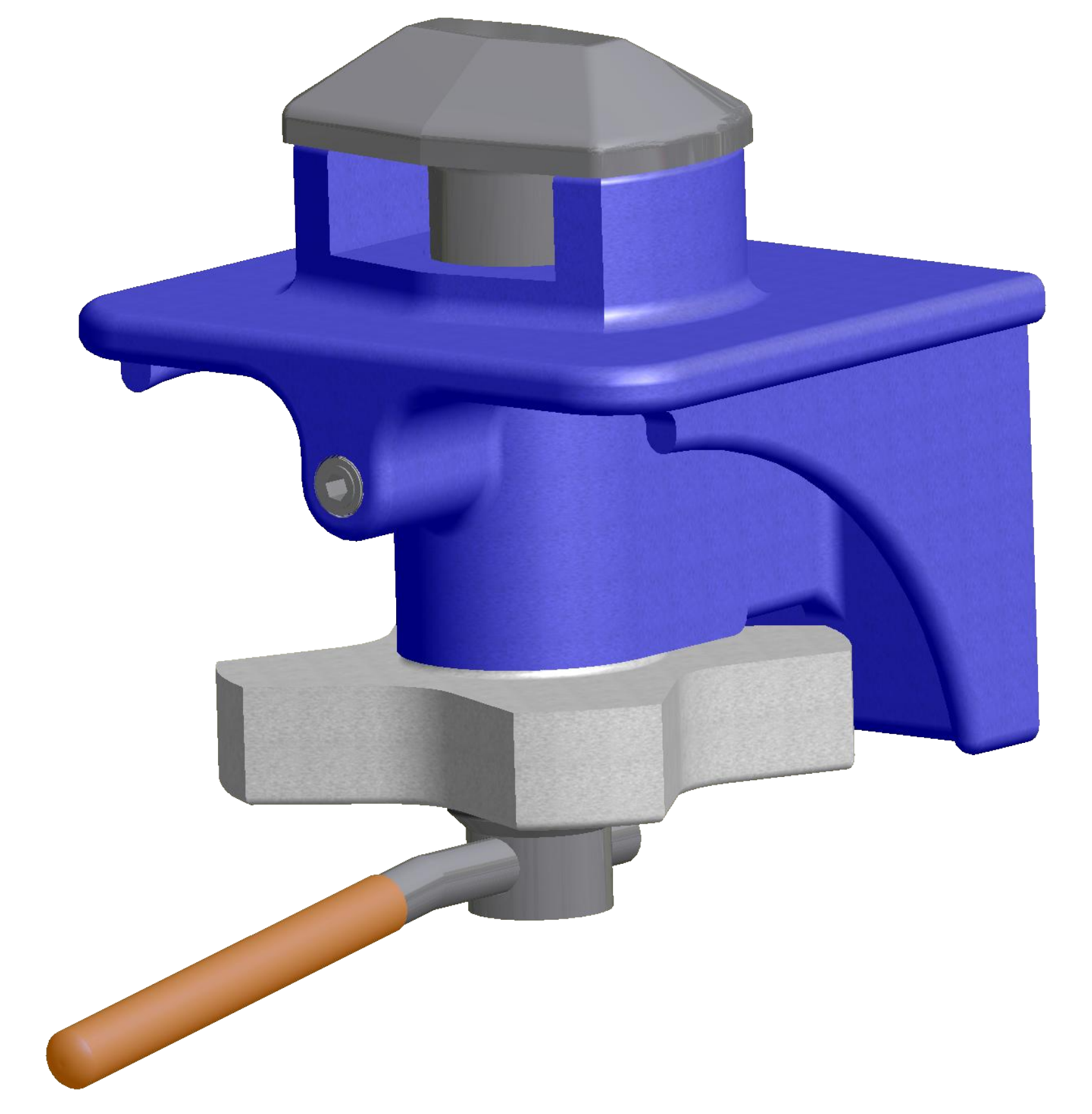
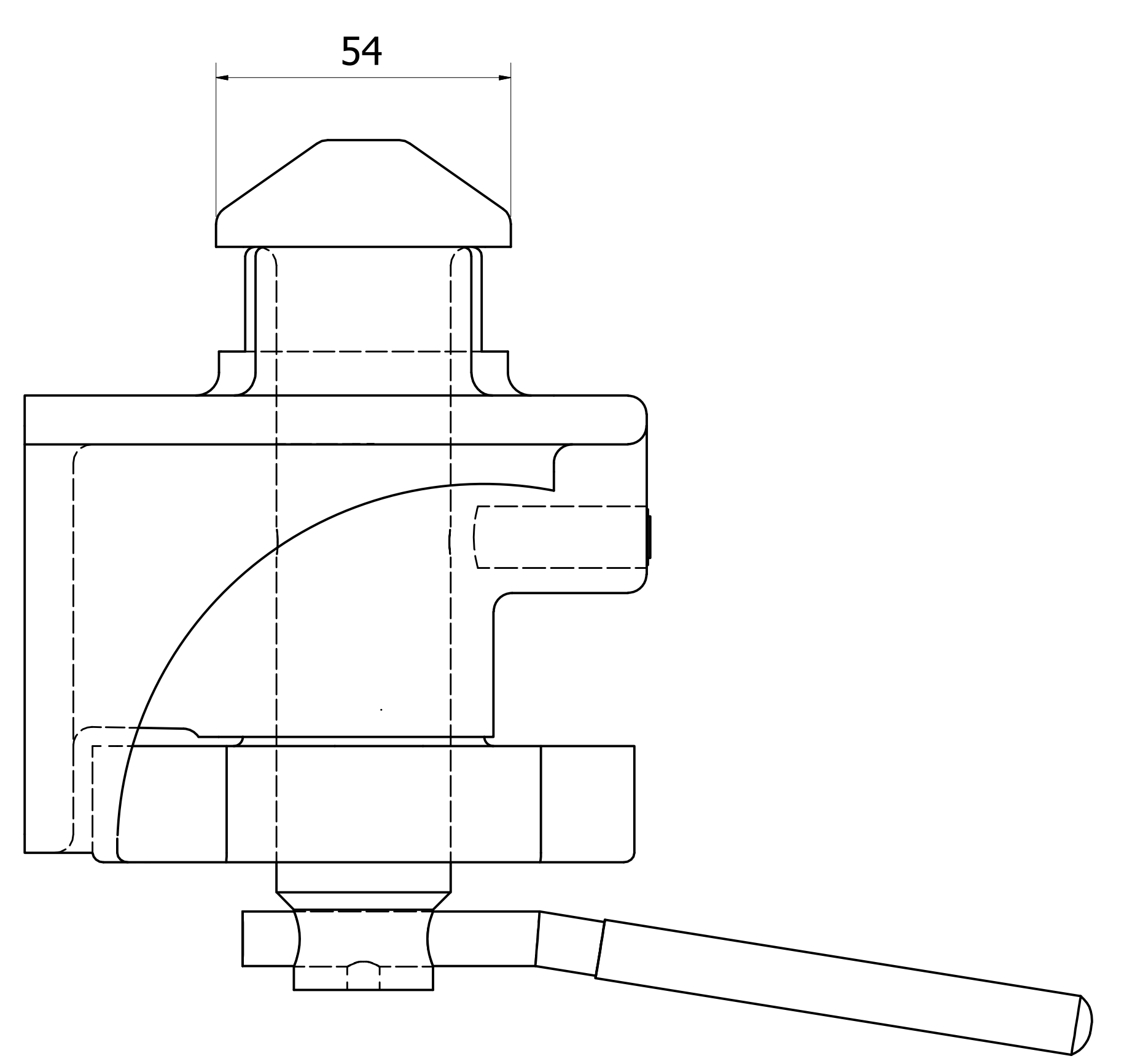
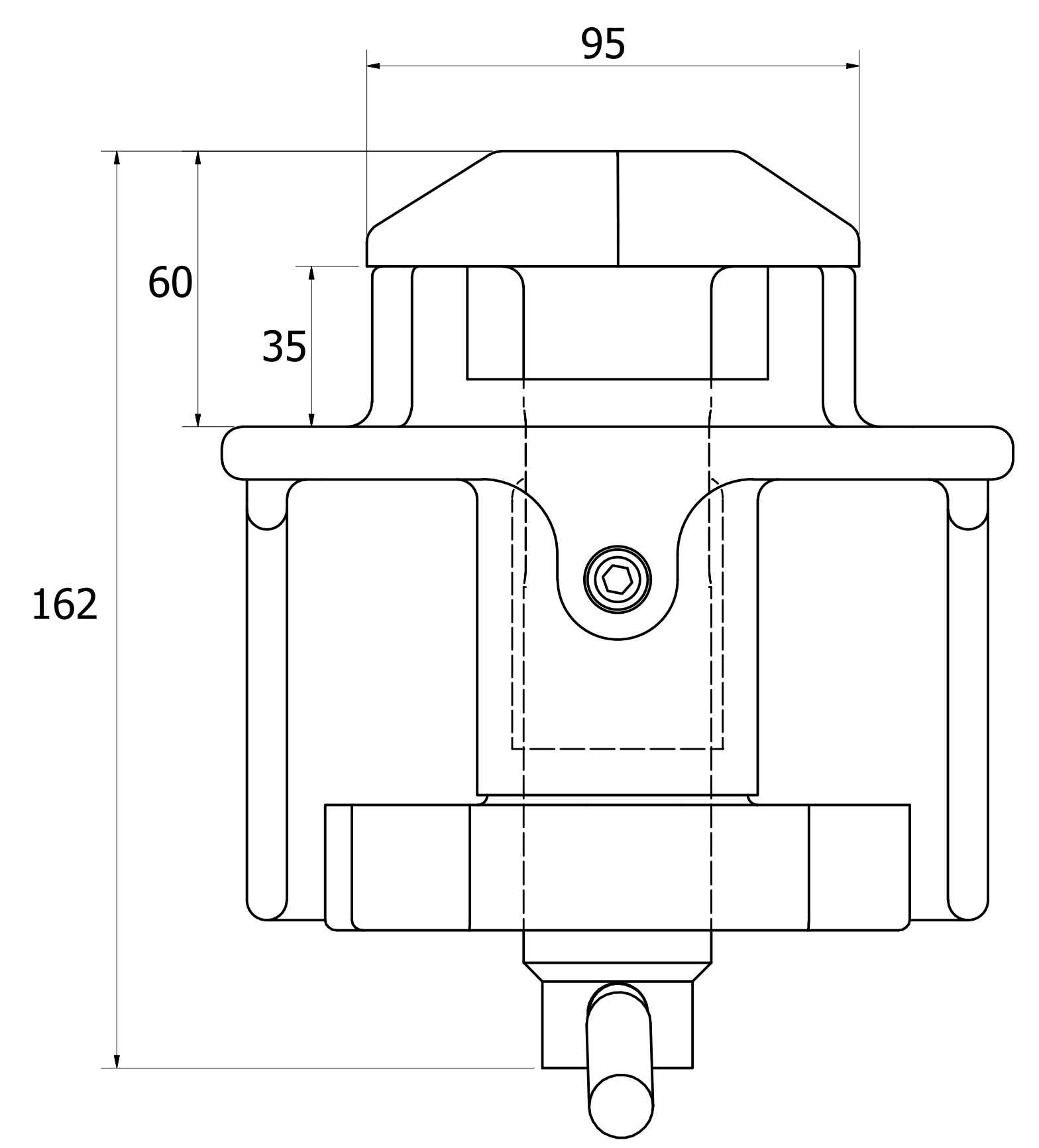
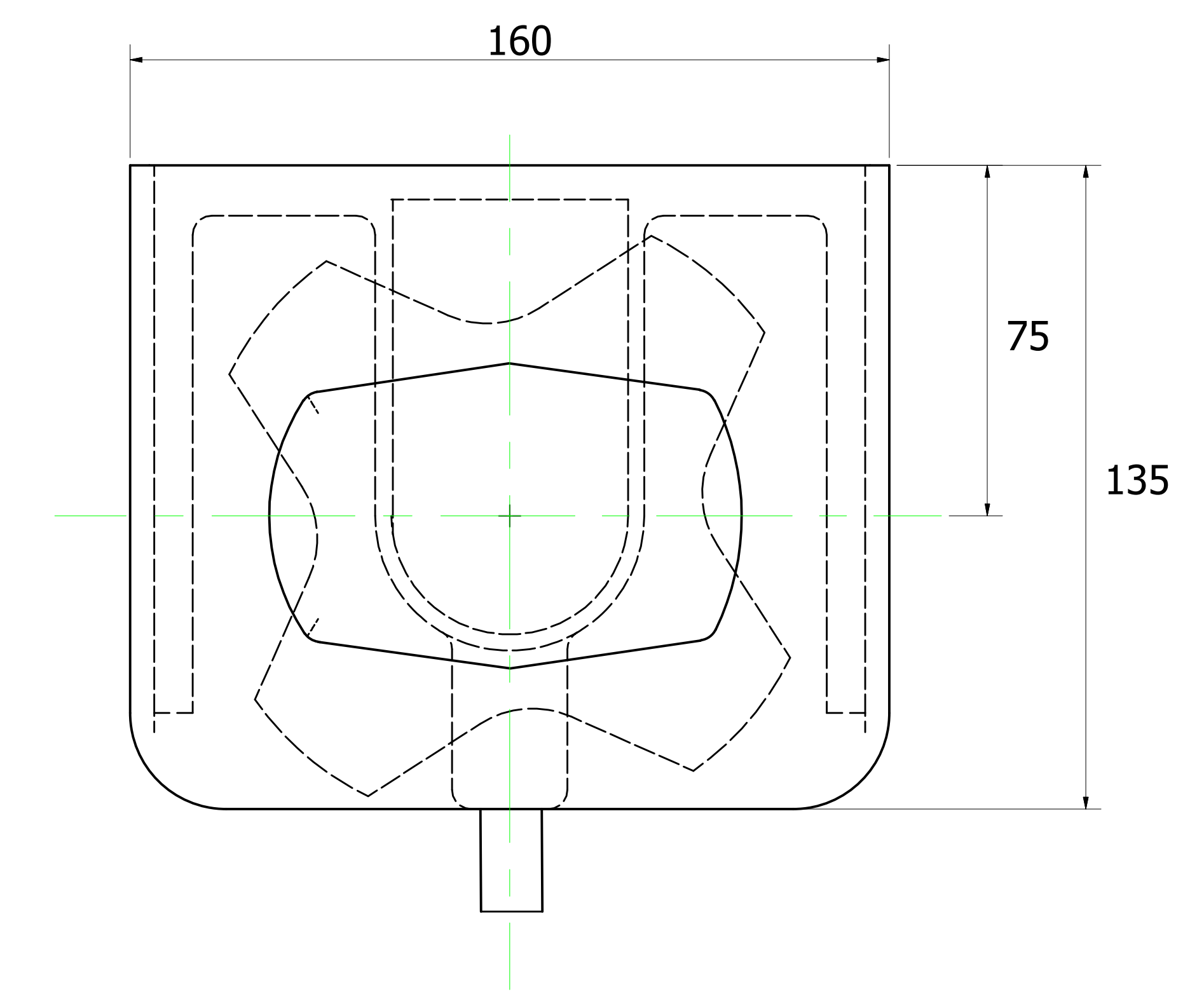


DCN.	ECN.	ECR.	LOCATION	REV.	BY	DATE	REMARKS
				CHK			REMARKS



CC FEATURES LABELED AS SUCH SHALL REQUIRE STATISTICAL PROCESS CONTROL  
 SC FEATURES LABELED AS SUCH REQUIRE REFERENCE TO A CONTROL PLAN

SHEET	INITIALS	DR.	CK.	ENGR.	MFG.	QUAL.	MATL.
10F1		06/26/09	06/26/09	06/26/09	06/26/09	06/26/09	06/26/09
COUNTRY OF ORIGIN		3RD ANGLE		DO NOT SCALE		KRISRY INTERNATIONAL INC. (847) 487-4907 - phone 1000 N. Rand Road, Suite 117 Wauconda, Illinois 60084	
U.S.A.		PROJECTION		PLOT SCALE 1:1 DRAWING SCALE 1:1			
UNITS				GEOMETRIC TOLERANCE SYMBOLS			
CONCENTRICITY		POSITION		PERPENDICULARITY		This drawing is the property of Krisry International Inc. It is furnished to you for confidential information purposes only. It is not to be disclosed to anyone else, reproduced, or used for manufacturing purposes without the express written permission of Krisry International Inc.	
SYMMETRICAL		CIRCULARITY		STRAIGHTNESS		DRAWING TITLE	
PARALLELISM		CYLINDRICITY		ANGULARITY		TWISTLOCK	
FLATNESS		TOTAL RUNOUT		CIRCULAR RUNOUT		REV	
MATERIAL CONDITION		PROFILE OF A LINE		BASIC DIMENSION		DRAWING NUMBER	
LEAST MATERIAL CONDITION		DATUM		DRAWING NUMBER		BLR 149 NRS	
REGARDLESS OF FEATURE SIZE		DRAWING NUMBER		DRAWING NUMBER		DWG SIZE	
REGARDLESS OF FEATURE SIZE		DRAWING NUMBER		DRAWING NUMBER		D	