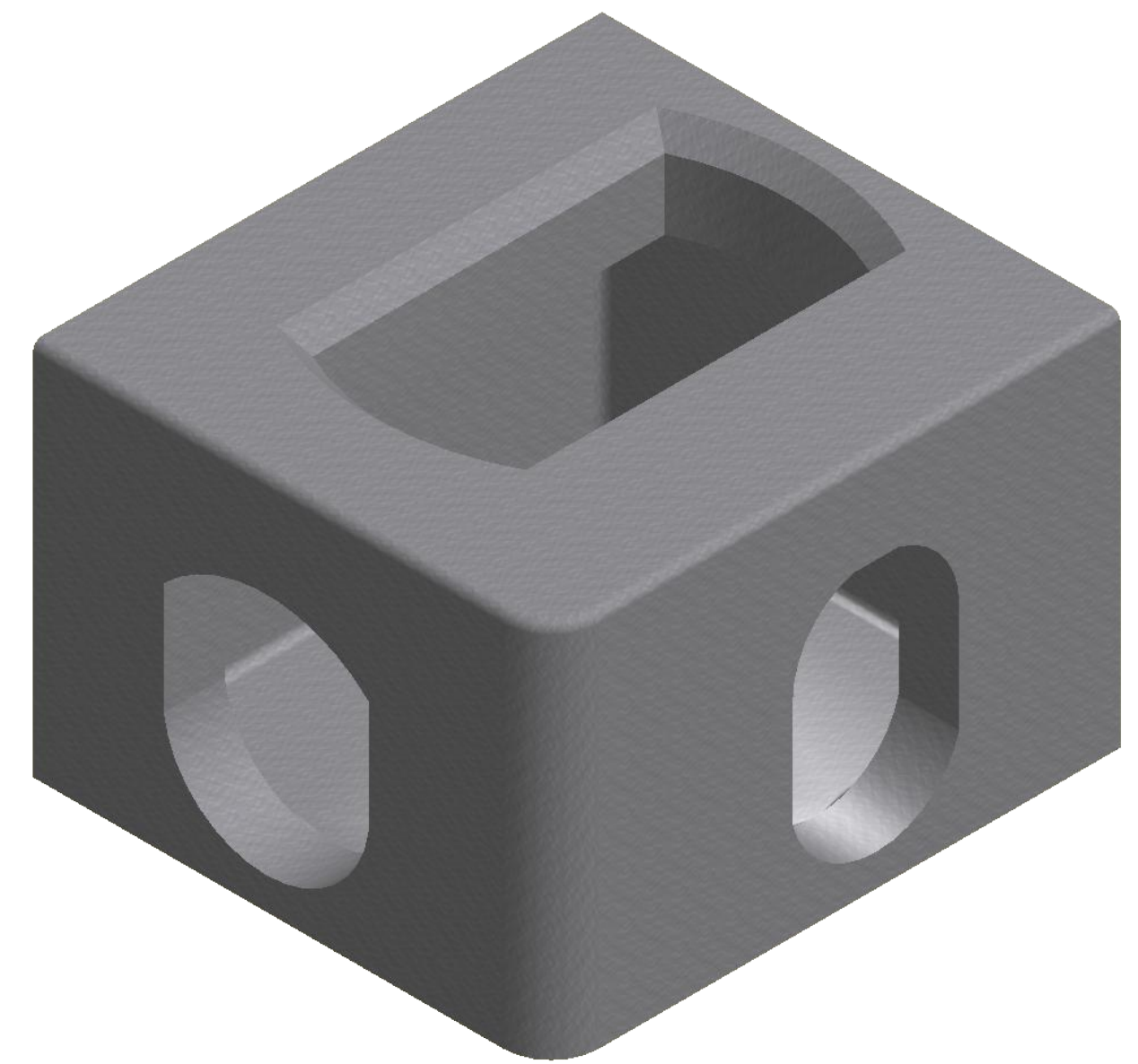
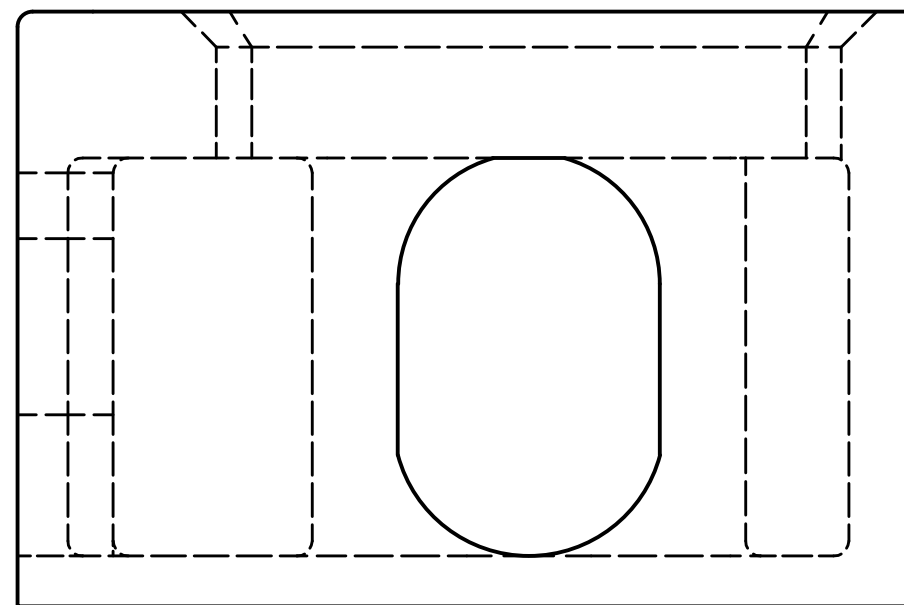
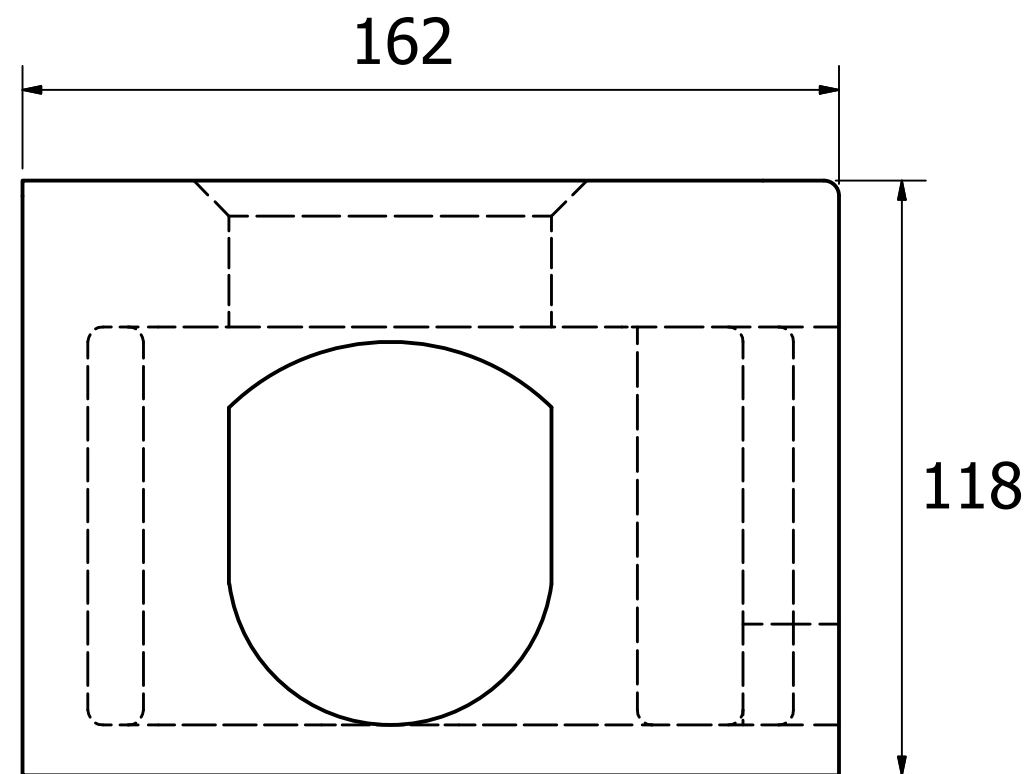
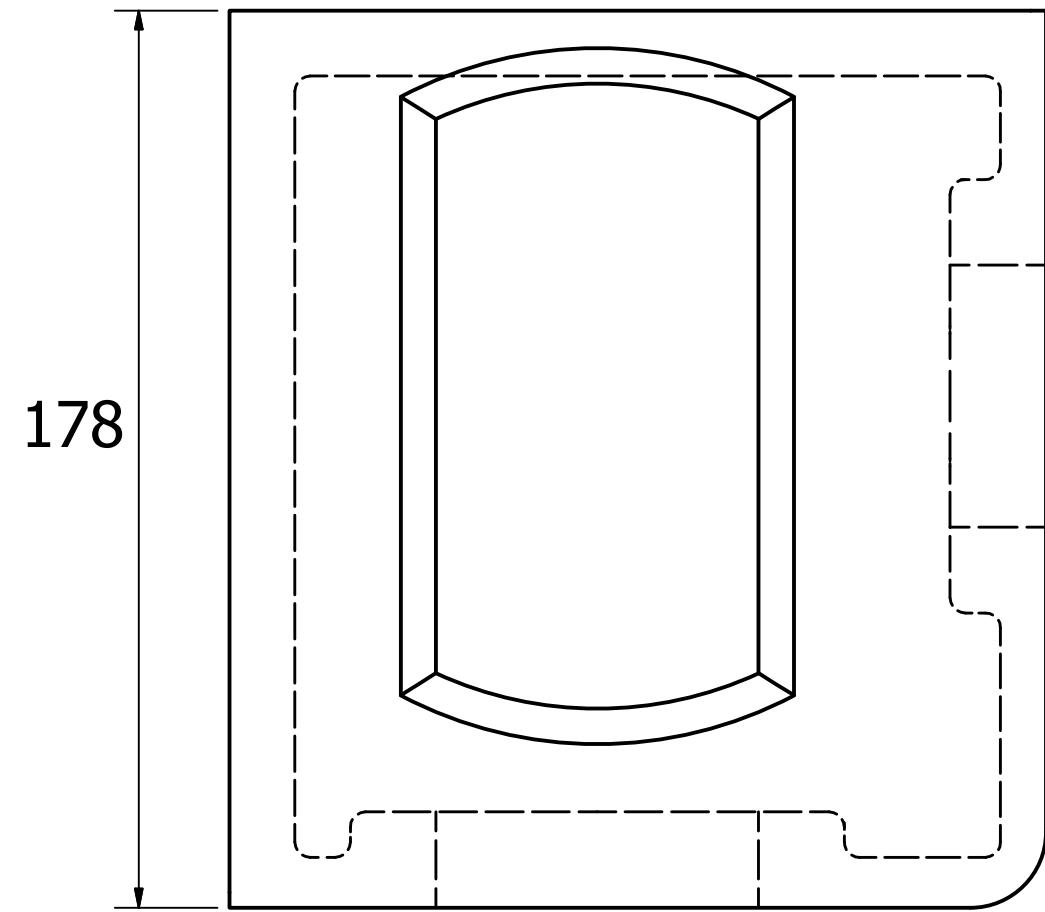


DCN, ECN, ECR	LOCATION	REV	BY	DATE	REMARKS
-	-	-	-	-	REVISIONS
			CHK		



CC	FEATURES LABELED AS SUCH SHALL REQUIRE STATISTICAL PROCESS CONTROL
SC	FEATURES LABELED AS SUCH REQUIRE REFERENCE TO A CONTROL PLAN

SHEET	INITIALS	DR.	CK.	ENGR.	MFG.	QUAL.	MATL.
10F1							
DATE	06/27/09	06/27/09	06/27/09	06/27/09	06/27/09	06/27/09	06/27/09
COUNTRY OF ORIGIN	U.S.A.			3RD ANGLE		DO NOT SCALE	
UNITS	UNITS			PROJECTION		PLOT SCALE 1:1 DRAWING SCALE 1:1	
<p>GEOMETRIC TOLERANCE SYMBOLS</p> <p> SYMMETRICAL POSITION PERPENDICULARITY PARALLELISM CIRCULARITY STRAIGHTNESS FLATNESS CYLINDRICITY ANGULARITY TOTAL RUNOUT CIRCULAR RUNOUT PROFILE OF A LINE PROFILE OF A SURFACE BASIC DIMENSION LEAST MATERIAL CONDITION DATUM REGARDLESS OF FEATURE SIZE </p>				<p>KRISRY International</p> <p>KRISRY INTERNATIONAL INC. (847) 487-4907 - phone 1000 N. Rand Road, Suite 117 Wauconda, Illinois 60084</p> <p>This drawing is the property of Krisry International Inc. It is furnished to you for confidential information purposes only. It is not to be disclosed to anyone else, reproduced, or used for manufacturing purposes without the express written permission of Krisry International Inc..</p>			
DRAWING TITLE							REV
DRAWING NUMBER							DWG SIZE
CORNER CASTINGS							C
BLR 20000							
PATH & FILENAME							