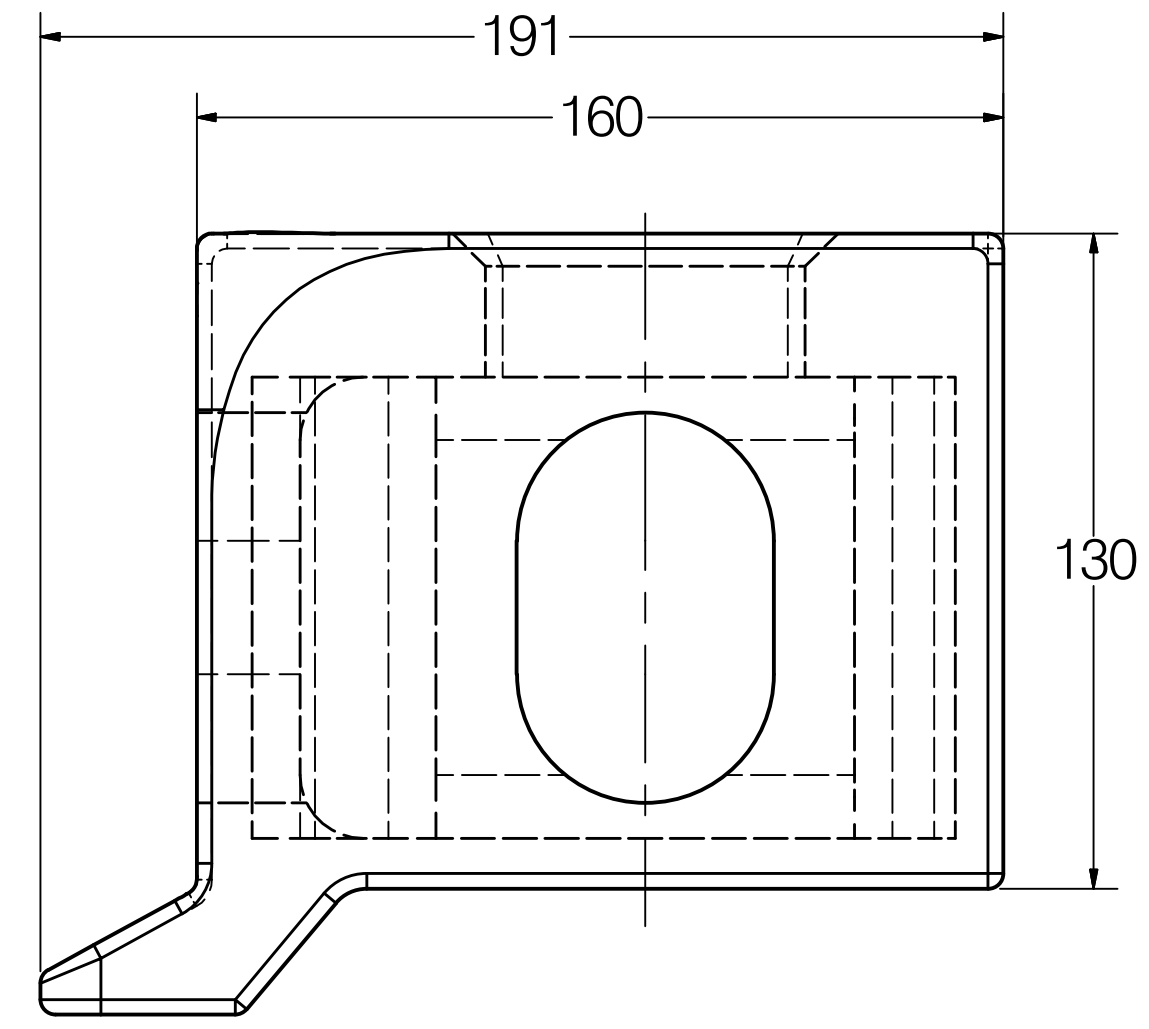
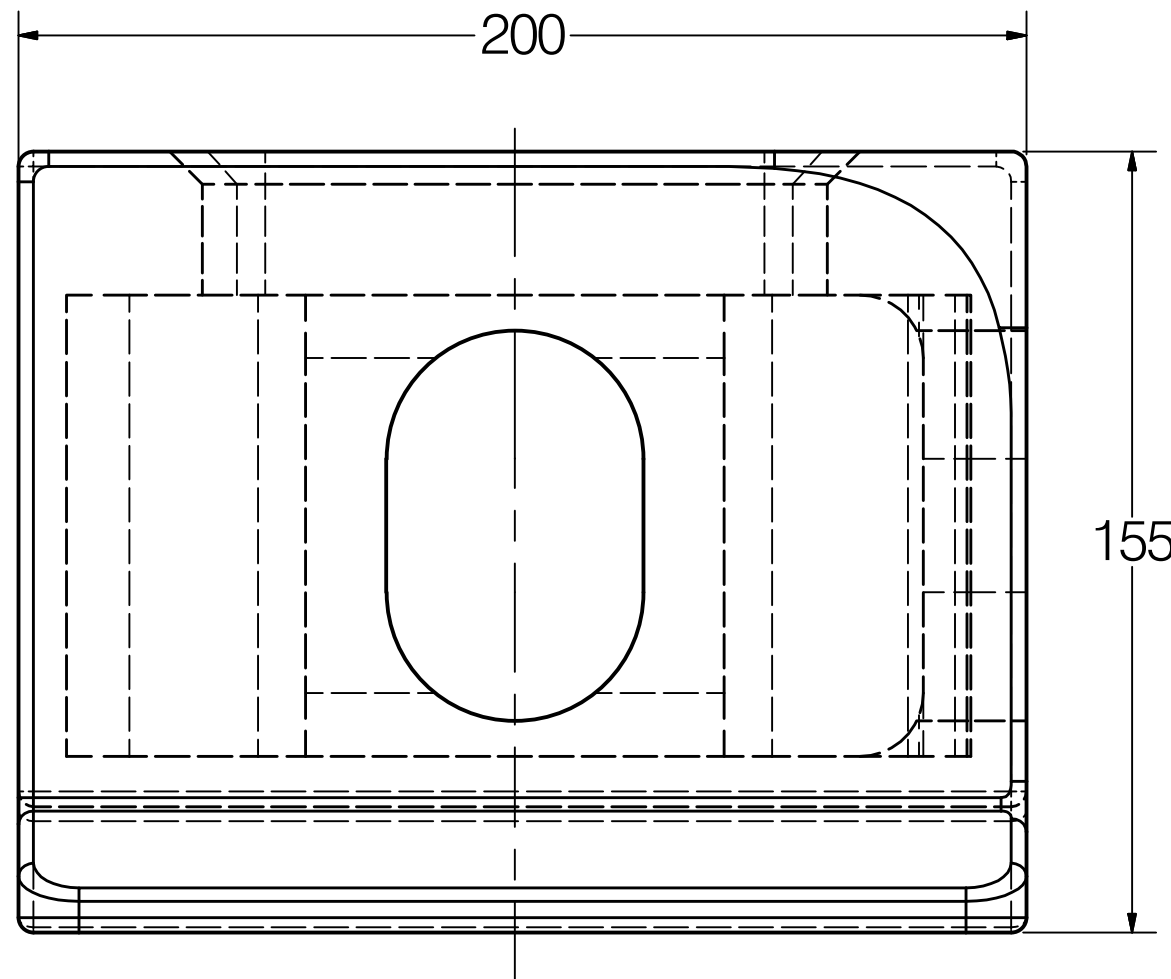
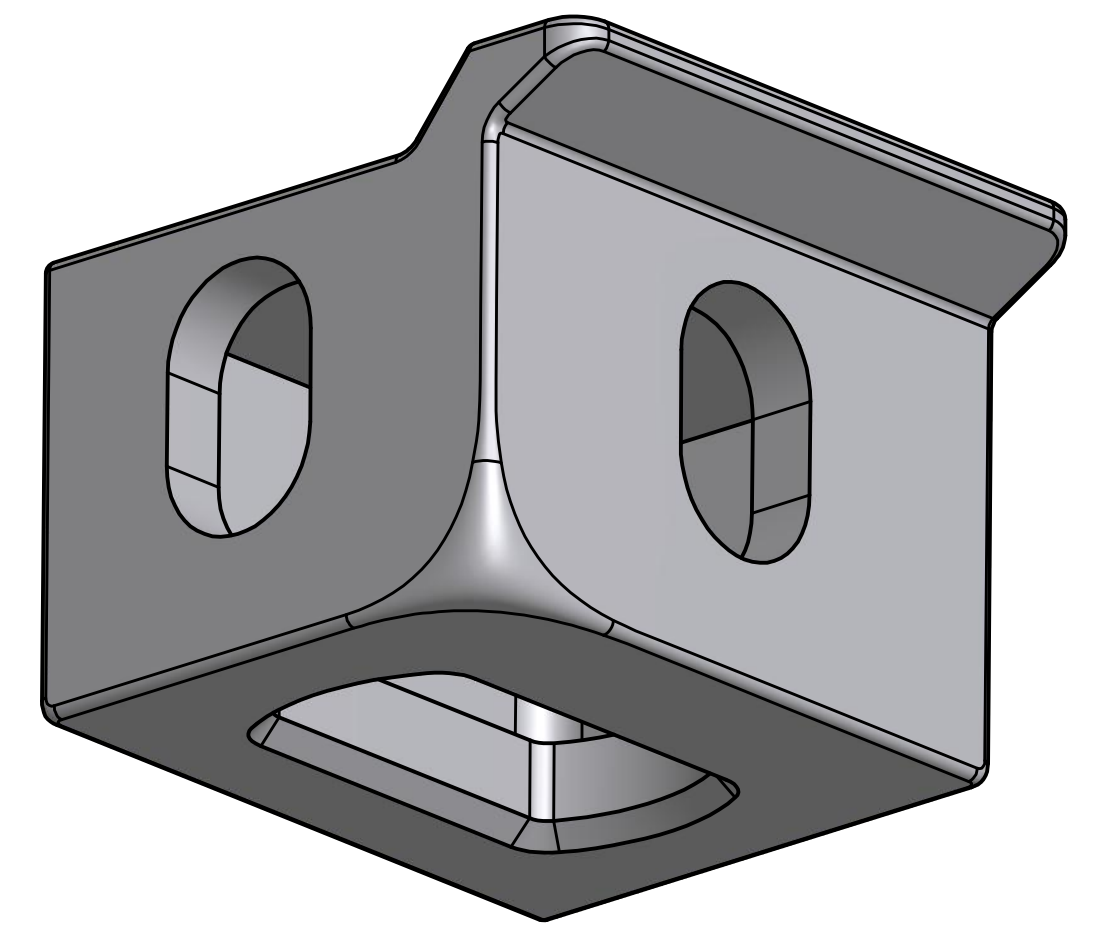
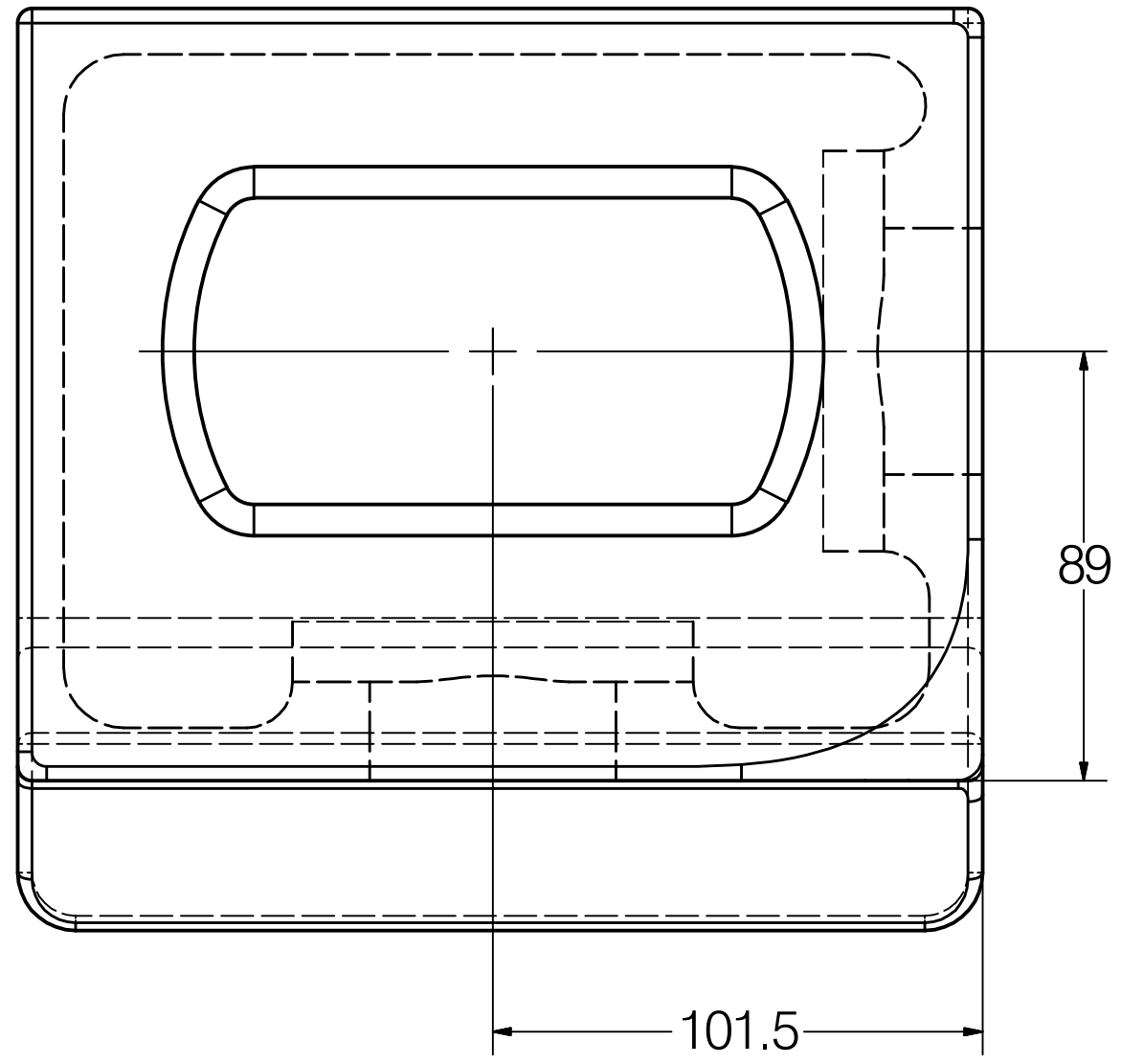



DCN.	ECN.	ECR	8	LOCATION	REV	BY	DATE	REMARKS	10	11
-	-	-	-	-	-	-	-	-	-	-



RH SHOWN (LH OPPOSITE)

CC	FEATURES LABELED AS SUCH SHALL REQUIRE STATISTICAL PROCESS CONTROL
SC	FEATURES LABELED AS SUCH REQUIRE REFERENCE TO A CONTROL PLAN

SHEET	INITIALS	DR.	JMB	CK.	-	ENGR.	-	MFG.	-	QUAL.	-	MATL.	-
1 OF 1	DATE	3/29/2011											
COUNTRY OF ORIGIN	3RD ANGLE	DO NOT SCALE	 KRISRY INTERNATIONAL, INC. 1000 N. Rand Rd. Suite 117 Wauconda, IL 60084 (847) 487-4907										
UNITS	MILLIMETERS	PROJECTION	This drawing is the property of Krisry International Inc. It is furnished to you for confidential information purposes only. It is not to be disclosed to anyone else, reproduced, or used for manufacturing purposes without the express written permission of Krisry International Inc..										
GEOMETRIC TOLERANCE SYMBOLS CONCENTRICITY POSITION PERPENDICULARITY SYMMETRICAL CIRCULARITY STRAIGHTNESS PARALLELISM CIRCULARITY ANGULARITY FLATNESS TOTAL RUNOUT CIRCULAR RUNOUT MOST MATERIAL CONDITION PROFILE OF A LINE PROFILE OF A SURFACE BASIC DIMENSION LEAST MATERIAL CONDITION DATUM REGARDLESS OF FEATURE SIZE PATH			DRAWING TITLE EUROPEAN OVERLAND CORNER DRAWING NUMBER BLR607										
										REV	C		
										DWG SIZE	C		