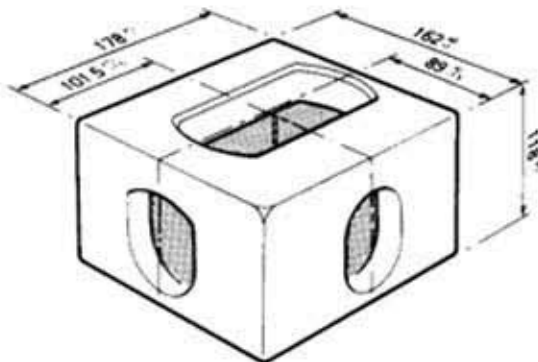


ALUMINIUM CORNER FITTINGS BLR 1069

These products are designed for Safe Working Load of 3250 kg and are manufactured to dimensionally comply with ISO 1161-1984



- For lightweight military shelter and industrial use.
- High strength weldable aluminium alloy casting.
- Designed for Safe Working Load of 3250 kg.
- BS1490 LM25TF



- **TYPE BLR 1069**
- Lower corner fitting.
- Left hand as drawn, right hand opposite.
- **WEIGHT: 4kg**

S.W.L. 3250 kg (7150 lbs.)

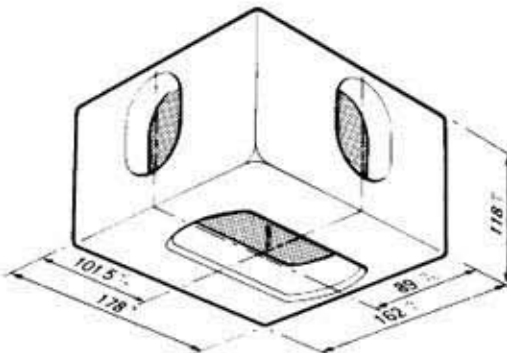
LEFT HAND CORNER DRAWN, RIGHT HAND OPPOSITE

ALUMINIUM CORNER FITTINGS BLR 1070

These products are designed for Safe Working Load of 3250 kg and are manufactured to dimensionally comply with ISO 1161-1984



- For lightweight military shelter and industrial use.
- High strength weldable aluminium alloy casting.
- Designed for Safe Working Load of 3250 kg.
- BS1490 LM25TF



- **Type BLR 1070**
- Upper corner fitting.
- Right hand as drawn, left hand opposite.
- **Weight: 4kg**

RIGHT HAND CORNER DRAWN, LEFT HAND OPPOSITE.
S.W.L. 3250 kg (7150 lbs.).