

RO-RO TWISTLOCK TYPE BLR 1075

The range of Twistlocks has been designed to secure ISO and special containers to rigid vehicles, trailer chassis and rail wagons in environmental conditions ranging from tropical to sub-zero.



©

Type BLR 1075

This Twistlock offers the user the following advantages:

- Swingdown type suitable for most roll-on roll-off applications
- Rugged design ensures long life and serviceability.

OPERATIONAL PROCEDURE TO LOCK

1. Raise twistlock body into load position.
2. Load container.
3. Turn handle to lock.

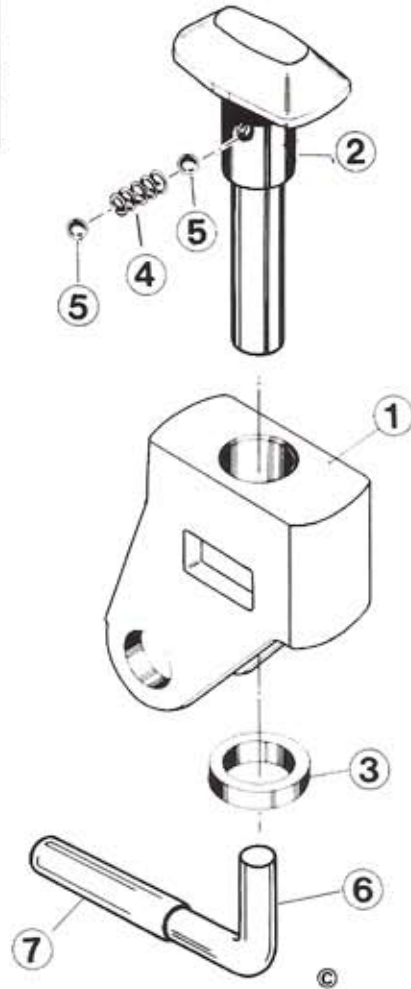
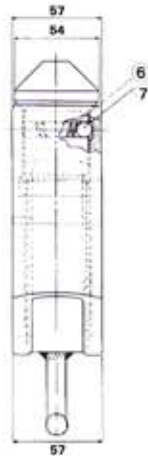
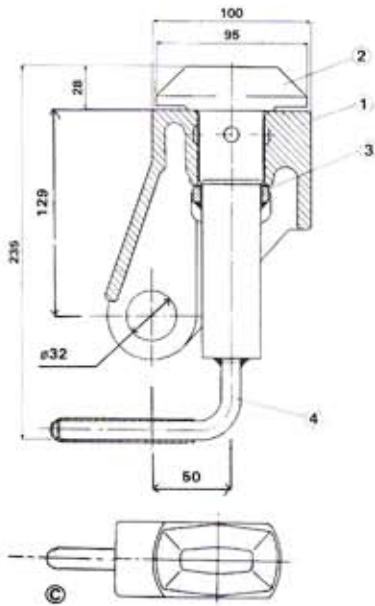
TO UNLOCK

1. Turn handle to release.
2. Unload container.

RO-RO TWISTLOCK TYPE BLR 1075

TECHNICAL INFORMATION

ITEM	DESCRIPTION	QTY	PART NO
1	BODY	1	BLR 1637
2	STEM	1	BLR 1639
3	COLLAR	1	BLR 1638
4	SPRING	1	BLR 990/1
5	STEEL BALL	2	IF67/06/000
6	HANDLE	1	BLR 1641
7	SLEEVE	1	BLR 989



WEIGHT: 5 kg
11 lbs

FINISH: Self colour or Red Oxide Primer