

RETRACTABLE TWISTLOCK Type BLR 148/RNS Mk1

The range of Twistlocks has been designed to secure ISO and special containers to rigid vehicles, trailer chassis and rail wagons in environmental conditions ranging from tropical to sub-zero.

This Twistlock offers the user the following important advantages:

- Simply fitted to the vehicle/ chassis, usually by welding
- Weldable cast steel body and forged steel stem to ensure rugged strength and durability.
- Securing head retracts below deck level to allow the carriage of non-containerised loads.
- Head can be engaged with container in position, an advantage to swop-body builders.

NB not recommended for tipping applications. See BLR 149 NRS 3HTS.



A.A.R. Approved
Type BLR 148 RNS Mk1

OPERATIONAL PROCEDURE TO LOCK

Twistlock in retracted position with handle turned to left.

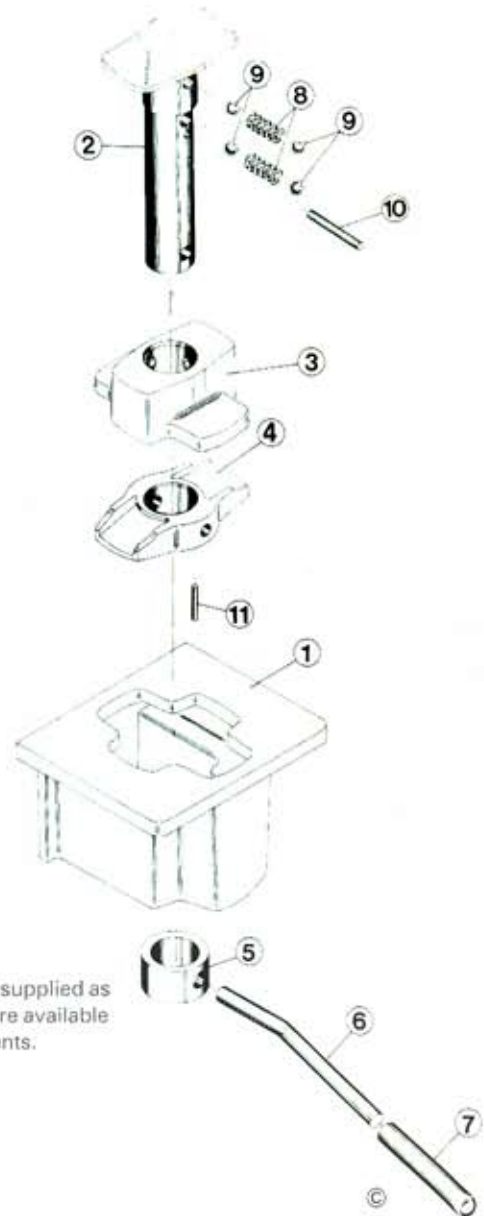
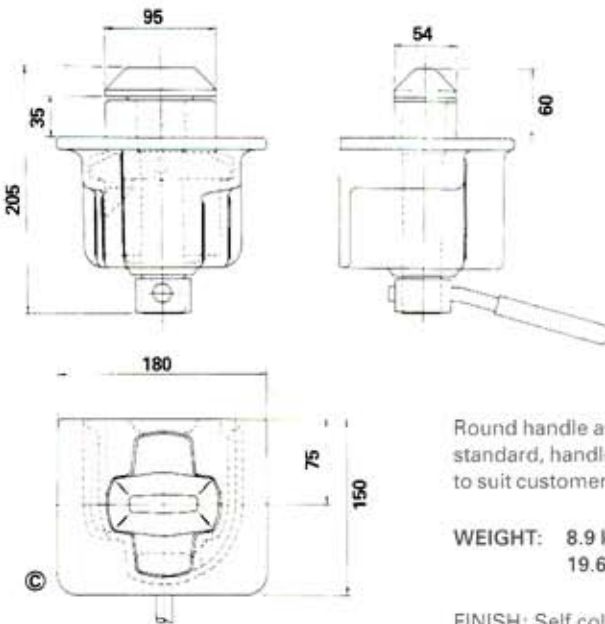
1. Turn handle back through 90° until index is engaged and handle is facing outward.
2. Load container on to vehicle.
3. Fully raise head and turn handle 90° to the left until index is engaged.

TO UNLOCK

1. Fully raise head, turn handle 180° to the right until index is engaged.
2. Turn handle back through 90° until index is engaged and handle is facing outward.
3. Head will now retract.
4. Remove container from vehicle.
5. Turn handle 90° to left.

RETRACTABLE TWISTLOCK Type BLR 148/RNS Mk1 TECHNICAL INFORMATION

ITEM	DESCRIPTION	QTY	TWISTLOCK ASSEMBLY	
			ROUND HANDLE	FLAT HANDLE
1	BODY	1	BLR 1014	BLR 1014
2	STEM	1	BLR 1100	BLR 1101
3	SHEARBLOCK	1	BLR 1015	BLR 1015
4	SUPPORT PLATE	1	BLR 1011	BLR 1011
5	COLLAR	1	BLR 987	
6	HANDLE	1	BLR 988	BLR 1026
7	SLEEVE	1	BLR 989	BLR 1031
8	SPRING	2	BLR 990/1	BLR 990/1
9	STEEL BALL	4	BLR 1236	BLR 1236
10	GROOVED PIN	1	BLR 999	BLR 999
11	SPRING PIN	1	BLR 1245	BLR 1245



Round handle as shown is supplied as standard, handle options are available to suit customer requirements.

WEIGHT: 8.9 kg
19.6 lbs

FINISH: Self colour or
Red Oxide Primer