

RETRACTABLE TWISTLOCK Type BLR 148 RNS Mk2

The range of Twistlocks has been designed to secure ISO and special containers to rigid vehicles, trailer chassis and rail wagons in environmental conditions ranging from tropical to sub-zero.

This Twistlock offers the user the following important advantages:

- Simply fitted to the vehicle/chassis, usually by welding
- Weldable cast steel body and forged steel stem to ensure rugged strength and durability.
- Securing head retracts below deck level to allow the carriage of non-containerised loads.

NB not recommended for tipping applications. See BLR 149 NRS 3HTS.



Type BLR 148 RNS Mk2

OPERATIONAL PROCEDURE TO LOCK

Twistlock in retracted position with handle turned to left or right.

1. Fully raise head and turn handle through 90° until index is engaged and handle is facing outward.
2. Load container onto vehicle.
3. Turn handle 90° in either direction until index is engaged.

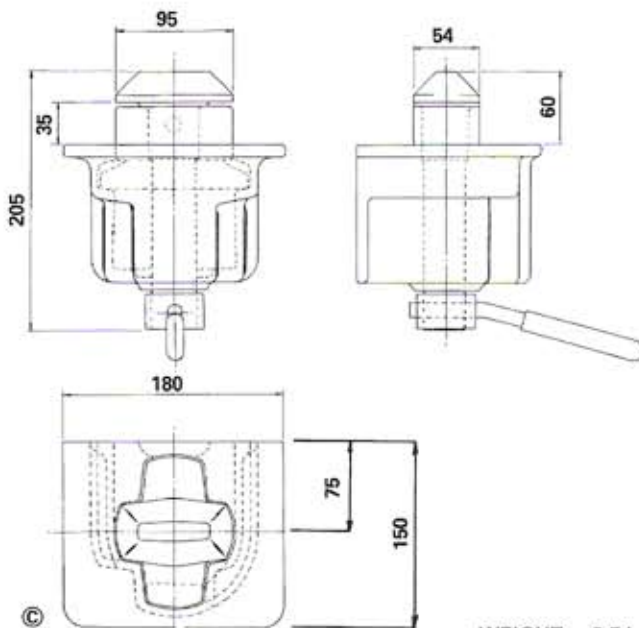
TO UNLOCK

1. Raise head and turn handle 90° until index is engaged and handle is facing outward.
2. Remove container from vehicle.
3. Turn handle 90° in either direction and head will retract.

RETRACTABLE TWISTLOCK Type BLR 148 RNS Mk2

TECHNICAL INFORMATION

ITEM	DESCRIPTION	QTY	TWISTLOCK ASSEMBLY	
			ROUND HANDLE	FLAT HANDLE
1	BODY	1	BLR 1021	BLR 1021
2	STEM	1	BLR 1002	BLR 1064
3	SHEARBLOCK	1	BLR 1015	BLR 1015
4	SUPPORT PLATE	1	BLR 1011	BLR 1011
5	COLLAR	1	BLR 987	
6	HANDLE	1	BLR 988	BLR 1026
7	SLEEVE	1	BLR 989	BLR 1031
8	SPRING	1	BLR 990/1	BLR 990/1
9	STEEL BALL	2	BLR 1236	BLR 1236



WEIGHT: 8.5 kg
18.7 lbs

FINISH: Self colour or Red Oxide Primer

Flat Handle Option

