

## NON-RETRACTABLE SCREWDOWN TWISTLOCK TYPE BLR 149 NRS AND NRS3 (THIRD LOCK)

The range of Twistlocks has been designed to secure ISO and special containers to rigid vehicles, trailer chassis and rail wagons in environmental conditions ranging from tropical to sub-zero.

**This Twistlock offers the user the following important advantages:**

- Simply fitted to vehicle/chassis, usually by welding.
- Weldable cast steel body and forged steel stem to ensure rugged strength and durability.
- Securing head remains permanently proud of the deck for loading containers in the shortest possible time.
- Screwdown feature provides extra security.
- Optional third lock prevents accidental unscrewing of the handnut, an additional safety feature. (BLR 149 NRS3 only)

**NOTE:** The Twistlock is suitable for Tipping Applications but **must** be fitted with High Tensile Stem.  
Twistlock Type:- BLR 149 NRS3 HTS



### OPERATIONAL PROCEDURE TO LOCK

Twistlock in load position without container, handle facing outwards.

1. Fully unscrew handnut.
2. Load container onto vehicle.
3. Turn handle 90° until index is engaged.
4. Fully tighten handnut.
5. Lower pin between handnut spokes (BLR 149 NRS3 only)

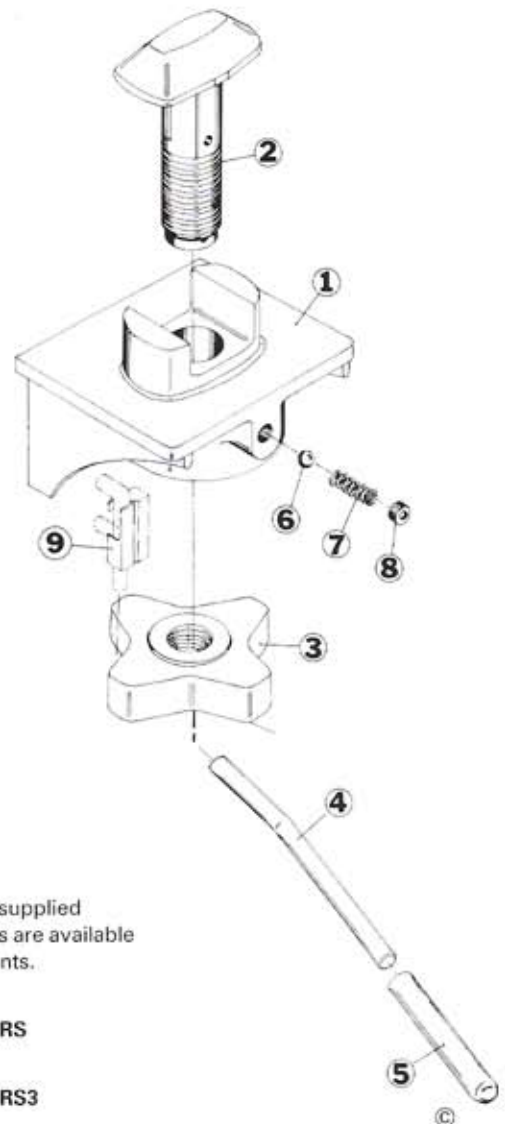
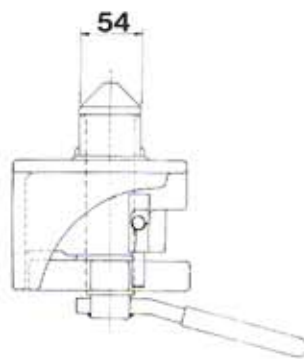
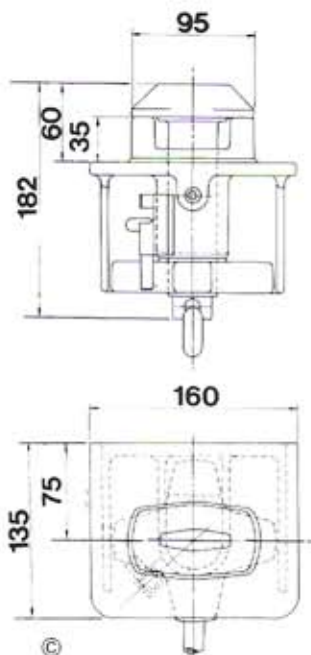
### TO UNLOCK

1. Lift pin clear of handnut spokes (BLR 149 NRS3 only)
2. Unscrew handnut.
3. Raise head and turn handle 90° until index is engaged and handle is facing outward.
4. Remove container from vehicle.
5. Turn handle 90° to left or right.
6. Tighten up handnut.

# NON-RETRACTABLE SCREWDOWN TWISTLOCK TYPE BLR 149 NRS AND NRS3 (THIRD LOCK) TECHNICAL INFORMATION

ITEM	DESCRIPTION	QTY	TWISTLOCK ASSEMBLY	
			ROUND HANDLE	FLAT HANDLE
1	BODY	1	BLR 1023	BLR 1023
2	STEM	1	BLR 1024	BLR 1025
3	HANDNUT	1	BLR 1010	BLR 1010
4	HANDLE	1	BLR 988	BLR 1027
5	SLEEVE	1	BLR 989	BLR 1031
6	STEEL BALL	1	BLR 1236	BLR 1236
7	SPRING	1	BLR 990/2	BLR 990/2
8	GRUB SCREW	1	BLR 1237	BLR 1237
*9	3RD LOCK ASSEMBLY	1	BLR 1285	BLR 1285

\* 3rd Lock Assembly fitted to 149 NRS3 Twistlock model only.



Round handle as shown is supplied as standard, handle options are available to suit customer requirements.

**WEIGHT:** 7.9 kg  
17.4 lbs NRS  
8.1 kg  
17.8 lbs NRS3

FINISH: Red Oxide Primer