

## RETRACTABLE TWISTLOCK Type BLR 151/2

The range of Twistlocks has been designed to secure ISO and special containers to rigid, skeletal and platform vehicles/chassis, in environmental conditions ranging from tropical to sub-zero.

**This Twistlock offers the user the following important advantages:**

- Simply fitted to vehicle/chassis, usually by welding.
- Weldable cast steel body and forged steel stem to ensure rugged strength and durability.
- Securing head retracts below deck level to allow non-containerised loads to be carried.

*NB not recommended for tipping applications. See BLR 149 NRS 3HTS*



Type BLR 151/2

### OPERATIONAL PROCEDURE TO LOCK

Twistlock in retracted position with handle turned to left or right.

1. Fully raise head and turn handle 90° so handle faces outward.
2. Load container onto vehicle.
3. To lock turn handle 90° to left or right until index is engaged.

### TO UNLOCK

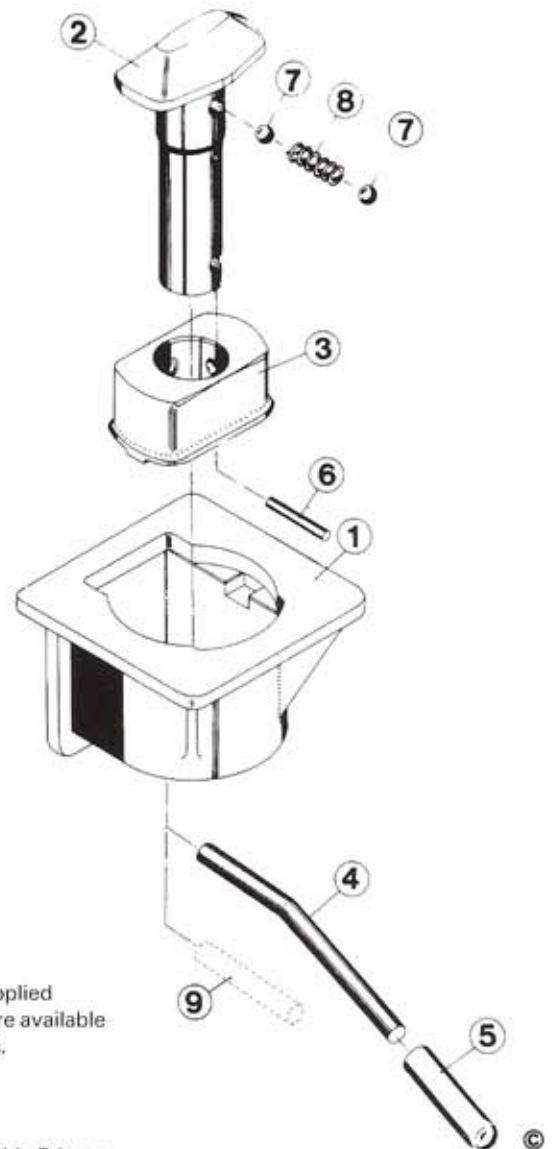
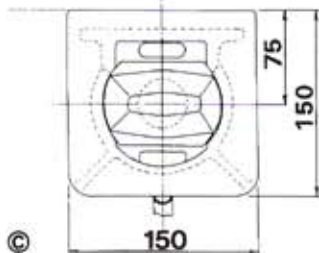
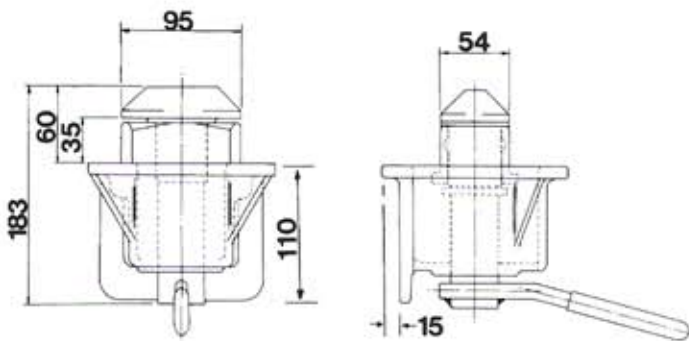
1. Turn handle 90° until index is engaged and handle is facing outward.
2. Remove container from vehicle.
3. Raise head and turn 90° to left or right to retract.

# RETRACTABLE TWISTLOCK

## Type BLR 151/2

### TECHNICAL INFORMATION

ITEM	DESCRIPTION	QTY	TWISTLOCK ASSEMBLY		
			ROUND HANDLE	FLAT HANDLE	RAVE HANDLE
1	BODY	1	BLR 1074	BLR 1074	BLR 1074
2	STEM	1	BLR 1090	BLR 1089	BLR 1090
3	SHEARBLOCK	1	BLR 1000	BLR 1000	BLR 1000
4	HANDLE	1	BLR 988	BLR 1026	BLR 1055
5	SLEEVE	1	BLR 989	BLR 1031	BLR 1031
6	PIN	1	BLR 999	BLR 999	BLR 999
7	STEEL BALL	2	BLR 1236	BLR 1236	BLR 1236
8	SPRING	1	BLR 990/1	BLR 990/1	BLR 990/1
9	PIN	1	-	-	BLR 1246



Round handle as shown is supplied as standard, handle options are available to suit customer requirements.

**WEIGHT:** 7.2 kg  
15.8 lbs

**FINISH:** Self Colour or Red Oxide Primer