

RETRACTABLE SCREWDOWN TWISTLOCK TYPE BLR 162 RSB AND BLR 162 RSW

The range of twistlocks has been designed to secure ISO and swap body containers to rigid vehicles, demountable systems and trailer chassis.



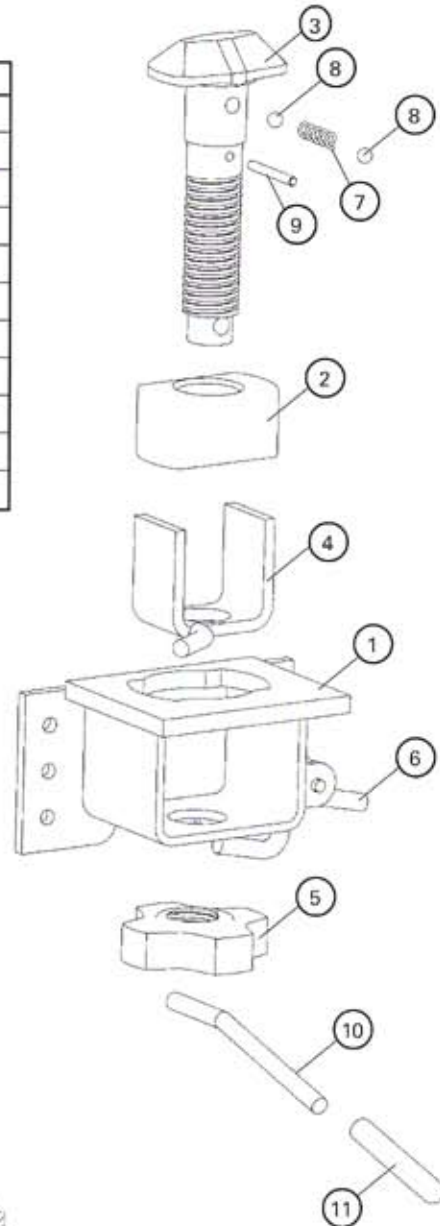
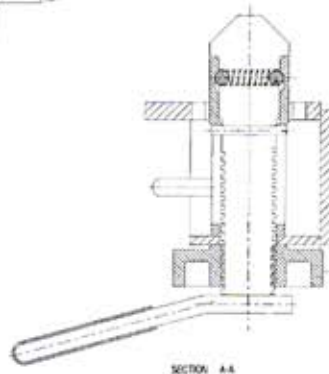
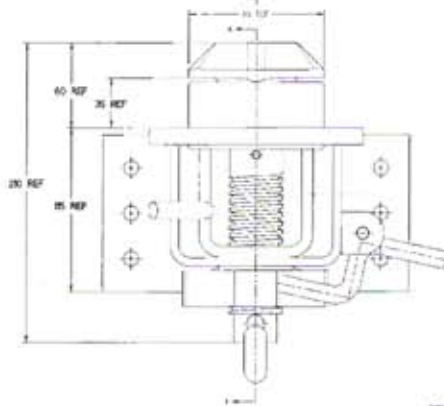
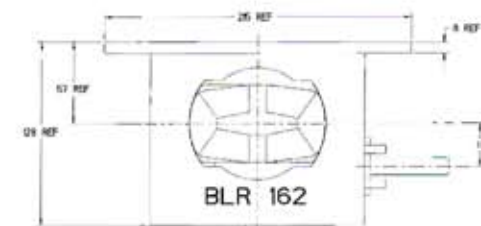
This Twistlock offers the following important advantages:

- Fully retractable to allow the carriage of non-containerised loads.
- Screwdown facility, eliminates movement between container and chassis.
- Variable Height shearblock will accept any thickness aperture plate.
- Head can be engaged with container already in position, an advantage to swap body builders.
- Simple to operate.
- Bolt on or weld on back plates.
- Safety third lock prevents accidental unscrewing of handnut.
- Ideally suited to demountable applications.

NB for tipping applications use the BLR 149 NRS3 HTS

RETRACTABLE SCREWDOWN TWISTLOCK TYPE BLR 162 RSB AND BLR 162 RSW TECHNICAL INFORMATION

ITEM	DESCRIPTION	QTY	PART NO
1	BODY	1	BLR 4599
2	SHEARBLOCK	1	BLR 4567
3	STEM	1	BLR 4600
4	SUPPORT COLLAR	1	BLR 4635
5	HANDNUT	1	BLR 1046
6	THIRD LOCK ASSEMBLY	1	BLR 4608
7	SPRING	1	BLR 990/01
8	BALL	2	MF 4510000
9	GROOVE PIN	1	BLR 999
10	HANDLE	1	BLR 988
11	SLEEVE	1	BLR 989



WEIGHT: 8.6kg
19 lbs

FINISH: Self colour or Prime Painted