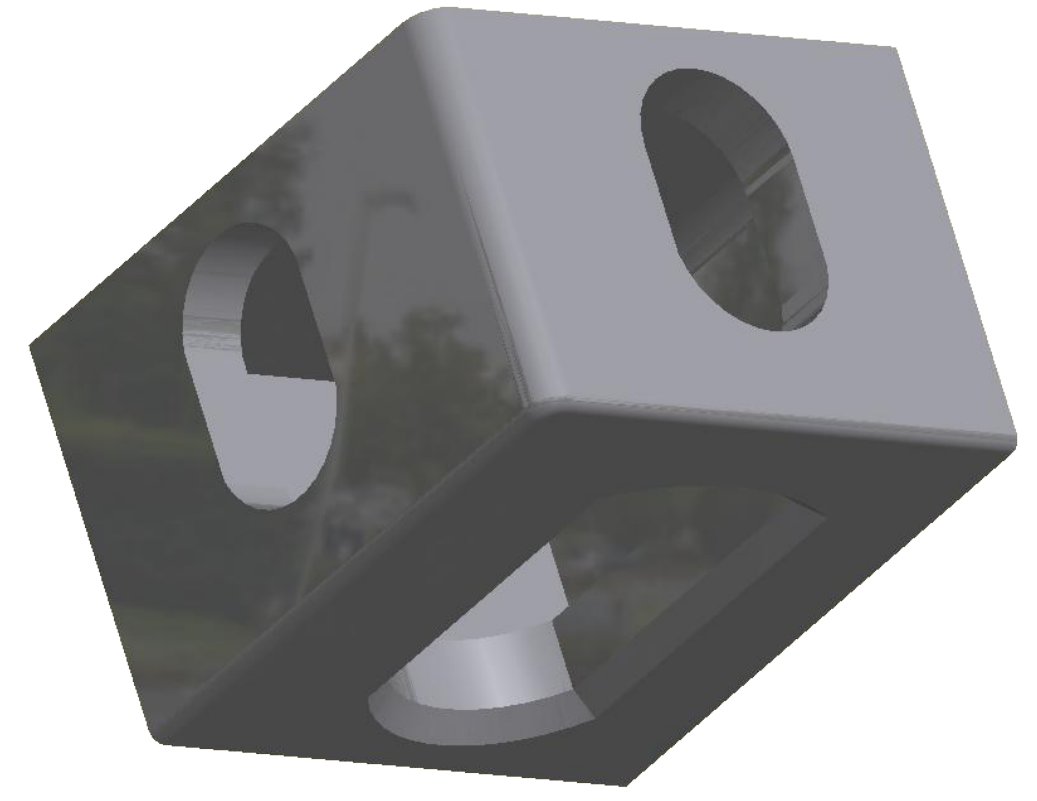
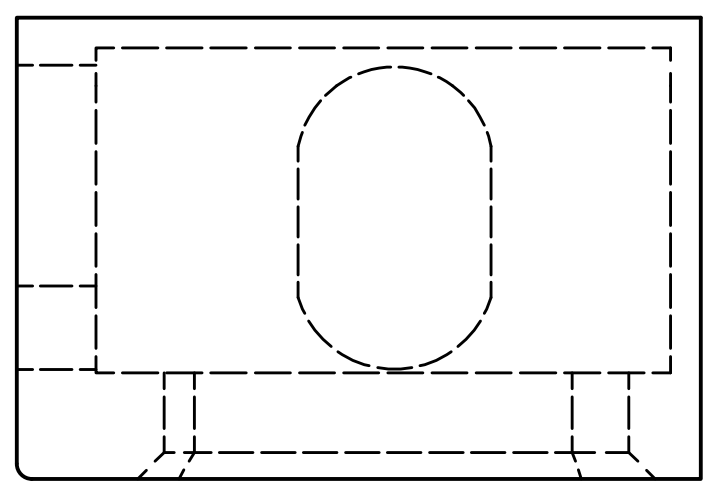
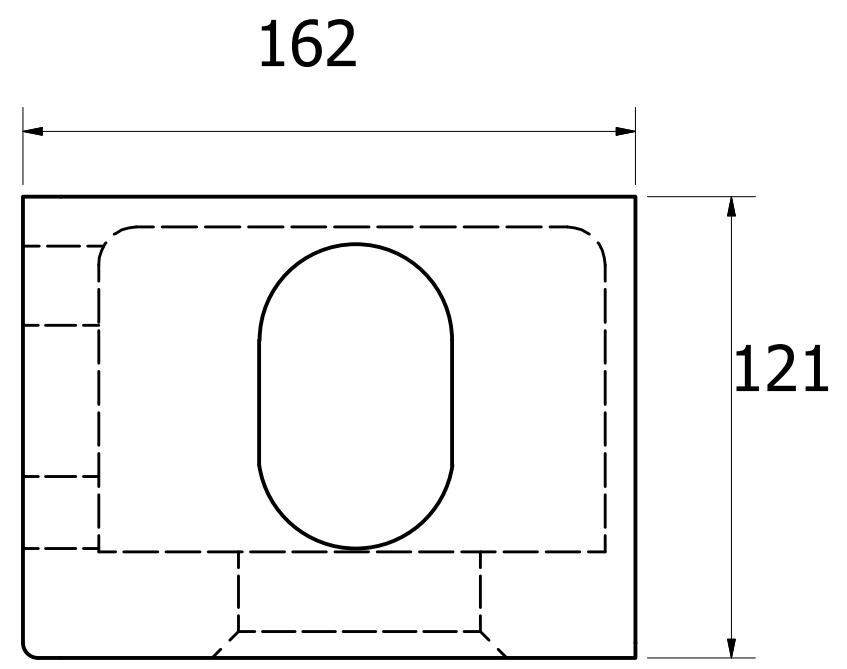
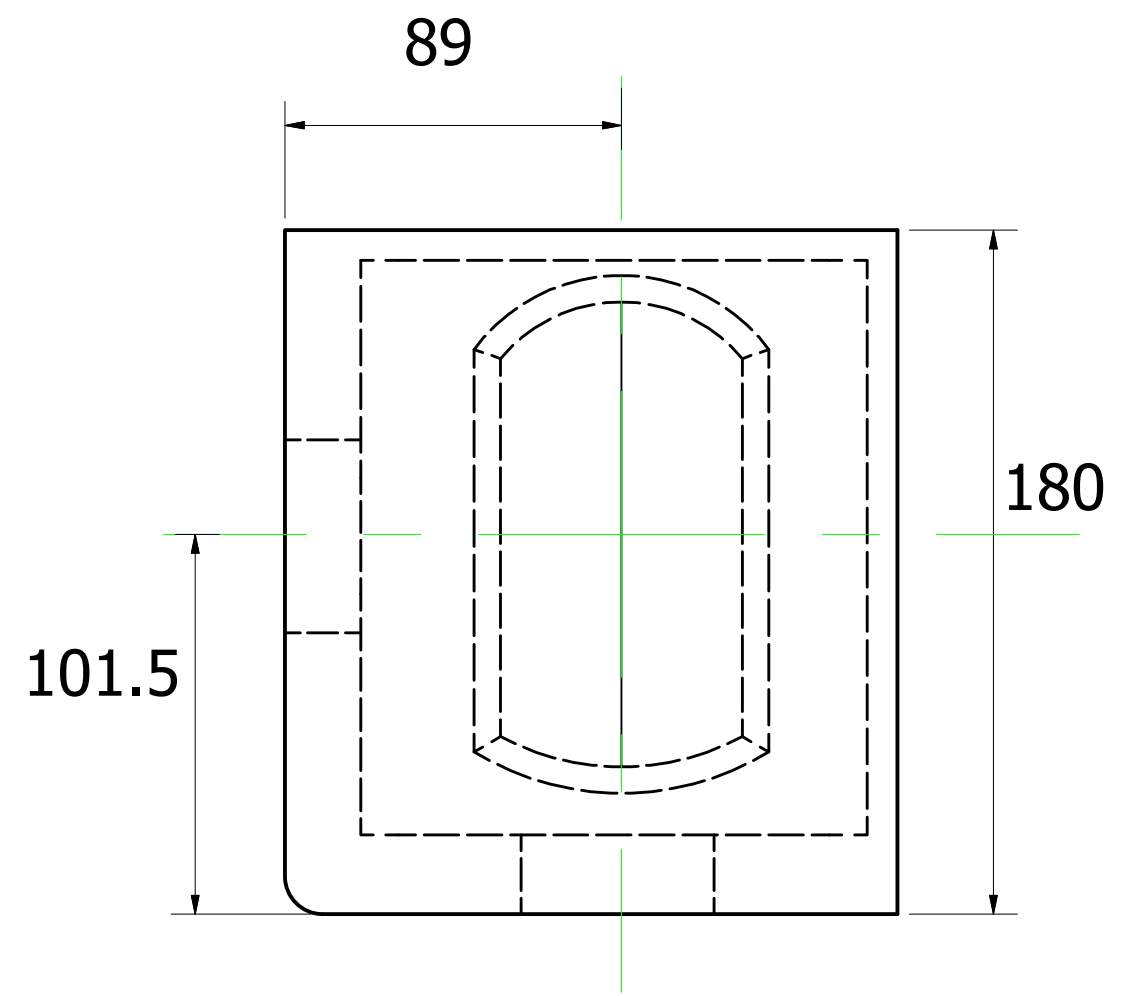


DCN. ECN. ECR	LOCATION	REV	BY	DATE	REMARKS
-	-	-	-	-	REMARKS



<input type="checkbox"/> CC	FEATURES LABELED AS SUCH SHALL REQUIRE STATISTICAL PROCESS CONTROL
<input type="checkbox"/> SC	FEATURES LABELED AS SUCH REQUIRE REFERENCE TO A CONTROL PLAN

SHEET	INITIALS	DR.	CK.	ENGR.	MFG.	QUAL.	MATL.	
1 OF 1		06/27/09	06/27/09	06/27/09	06/27/09	06/27/09	06/27/09	
COUNTRY OF ORIGIN	3RD ANGLE		DO NOT SCALE		KRISRY INTERNATIONAL INC. (847) 487-4907 - phone 1000 N. Rand Road, Suite 117 Vauconda, Illinois 60084			
U.S.A.			PLOT SCALE 1:1 DRAWING SCALE 1:1					
UNITS	UNITS			GEOMETRIC TOLERANCE SYMBOLS ○ CONCENTRICITY ⊕ POSITION ⊥ PERPENDICULARITY ≡ SYMMETRICAL ○ CIRCULARITY — STRAIGHTNESS // PARALLELISM ∅ CYLINDRICITY ∠ ANGULARITY / FLATNESS / TOTAL RUNOUT ↗ CIRCULAR RUNOUT ⊙ MOST MATERIAL CONDITION ∩ PROFILE OF A LINE △ PROFILE OF A SURFACE ∞ BASIC DIMENSION ⊖ LEAST MATERIAL CONDITION ▢ DATUM ⊕ REGARDLESS OF FEATURE SIZE				
PATH & FILENAME				DRAWING TITLE CORNER CASTING				REV
				DRAWING NUMBER BLR 4045 BOTTOM LEFT				DWG SIZE

