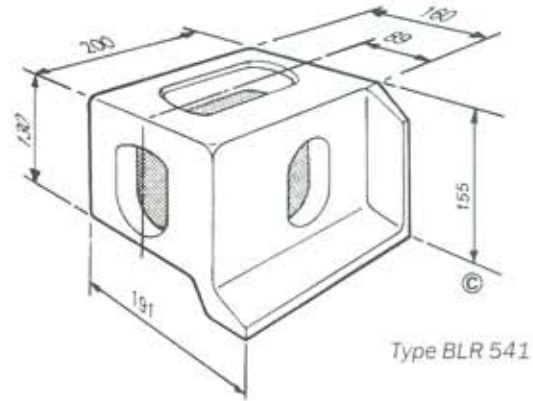


## EUROPEAN OVERLAND CORNER FITTINGS

These products are made from special steel designed for low temperature working at -40°C as standard.  
For 2.5 metre wide Dry Freight, Reefer and Tank containers.

**Type BLR 541**

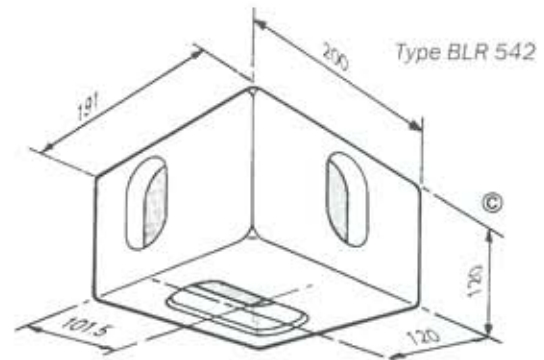


Top Corner

**WEIGHT: 15.4 kg  
33.9 lbs**

RH as drawn LH  
opposite

**Type BLR 542**



Bottom Corner

**WEIGHT: 14.4 kg  
31.7 lbs**

RH as drawn LH opposite

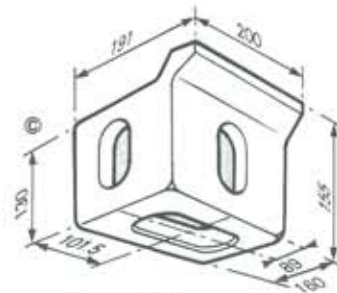
## EUROPEAN OVERLAND CORNER FITTINGS

These products are made from special steel designed for low temperature working at -40°C as standard.  
For 2.5 metre wide Dry Freight, Reefer and Tank containers.

### Type BLR 607

Bottom Corner

WEIGHT: 14.7 kg  
32.3 lbs



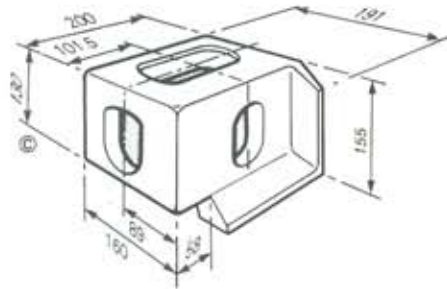
Type BLR 607

RH as drawn LH opposite

### Type BLR 1012

Top Corner

WEIGHT: 15.6 kg  
34 lbs



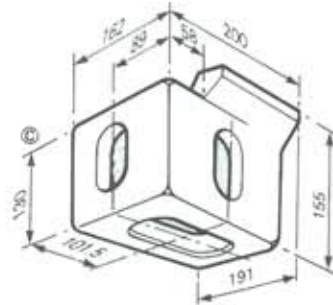
Type BLR 1012

RH as drawn LH opposite

### Type BLR 1013

Bottom Corner

WEIGHT: 14.3 kg  
31.5 lbs



Type BLR 1013

RH as drawn LH opposite