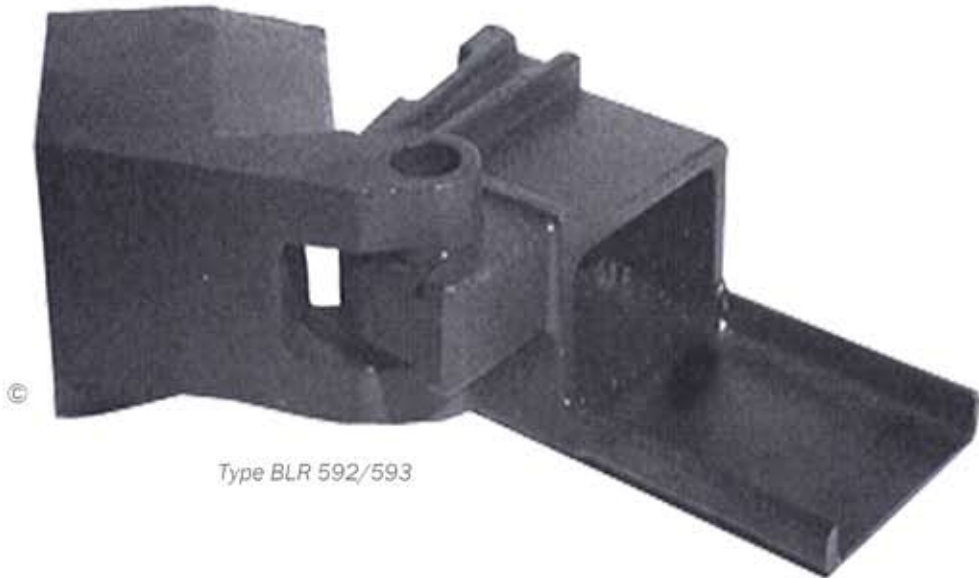


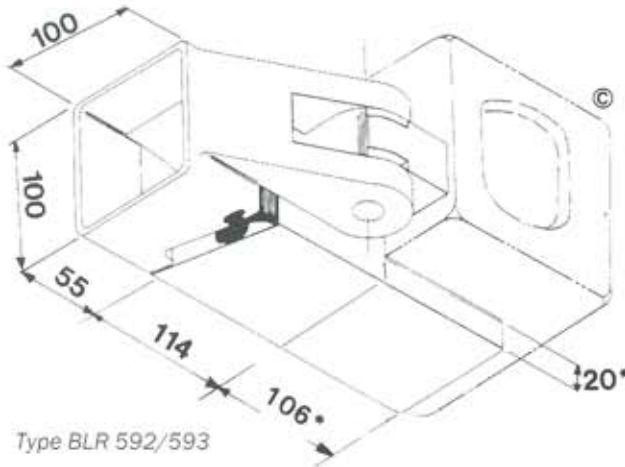
OPEN TOP SWINGING HEADER Type BLR 592/593

These products are made from special steel designed for low temperature working at -40°C as standard.



- For use on all 20 foot and 40 foot open top containers **top lashed, canopy type**.
- Meets I.S.O. requirements.
- Easy interchangeable components.
- Supplied with integral weather seal.
- Pivots from either end.
- Worn or damaged seals quickly replaced.
- Compact unit giving maximum door aperture.
- Load transfer through pivot bosses and transfer pads to ensure easy pin removal.
- Built in labyrinth for efficient sealing against weather.

OPEN TOP SWINGING HEADER Type BLR 592/593 TECHNICAL INFORMATION

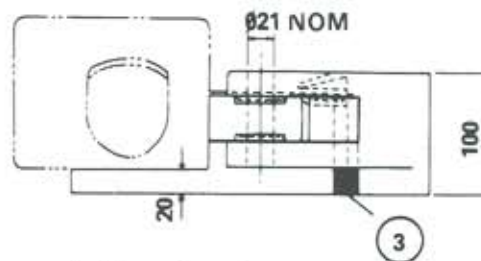
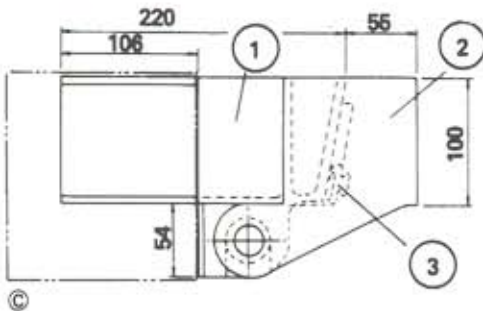


*106 x 20 CHANNEL OPTIONAL

Type - Open top swinging header
- hinge assembly. Canopy type.

3	BLR 4135	1	WEATHERSEAL
2	BLR 592	1	HEADER - FEMALE
1	BLR 593	1	HEADER - MALE
ITEM	Part No	No Off	DESCRIPTION

WEIGHT: 7.8 kg
17.2 lbs



Left hand as drawn
Right hand opposite