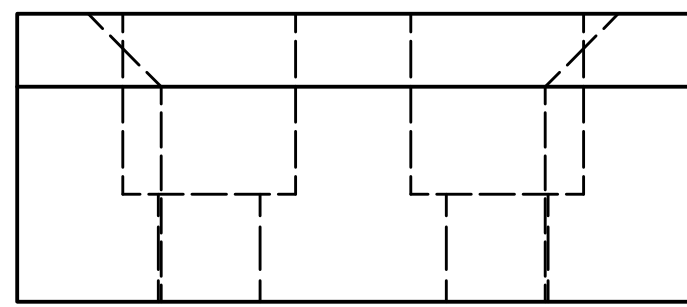
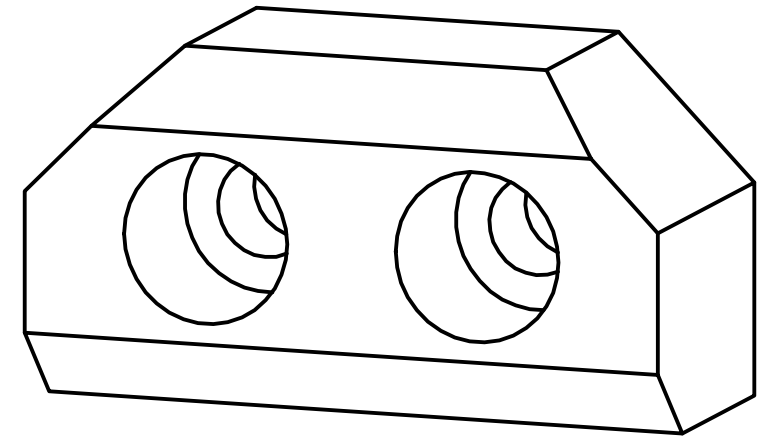
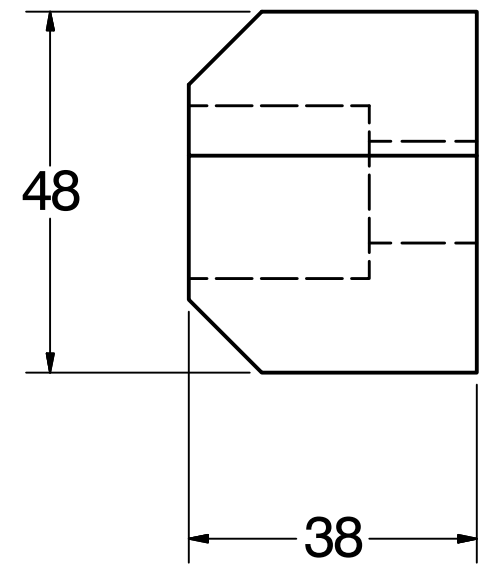
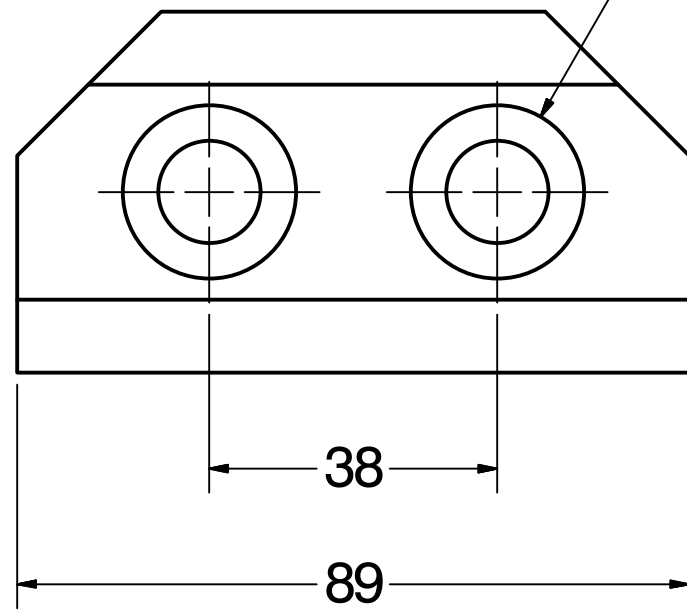


5	6	7	8
DCN, ECN, ECR	LOCATION	REV	BY
-	-	-	-
		CHK	DATE
			REMARKS

Ø13 THRU
 └─┬─┘ Ø23 ∇ 24
 TYP.(2)



CC	FEATURES LABELED AS SUCH SHALL REQUIRE STATISTICAL PROCESS CONTROL
SC	FEATURES LABELED AS SUCH REQUIRE REFERENCE TO A CONTROL PLAN

SHEET	INITIALS	DR. JMB	CK. -	ENGR. -	MFG. -	QUAL. -	MATL. -
	DATE	07/21/10					

COUNTRY OF ORIGIN	3RD ANGLE 	DO NOT SCALE	 KRISRY INTERNATIONAL INC. (847) 487-4907 - phone 1000 N. Rand Road, Suite 117 Wauconda, Illinois 60084
UNITS MILLIMETERS	PROJECTION	PLOT SCALE 1:1 DRAWING SCALE NTS	

GEOMETRIC TOLERANCE SYMBOLS

◎ CONCENTRICITY	⊕ POSITION	⊥ PERPENDICULARITY
≡ SYMMETRICAL	○ CIRCULARITY	— STRAIGHTNESS
// PARALLELISM	⊘ CYLINDRICITY	∠ ANGULARITY
∟ FLATNESS	↗ TOTAL RUNOUT	↗ CIRCULAR RUNOUT
Ⓜ MOST MATERIAL CONDITION	○ PROFILE OF A LINE	
△ PROFILE OF A SURFACE	□ BASIC DIMENSION	
Ⓛ LEAST MATERIAL CONDITION	┆ DATUM	
Ⓢ REGARDLESS OF FEATURE SIZE		

This drawing is the property of Krisry International. It is furnished to you for confidential information purposes only. It is not to be disclosed to anyone else, reproduced, or used for manufacturing purposes without the express written permission of Krisry International.

DRAWING TITLE	WEAR PART	REV
DRAWING NUMBER	KRY1053	DWG SIZE
		B