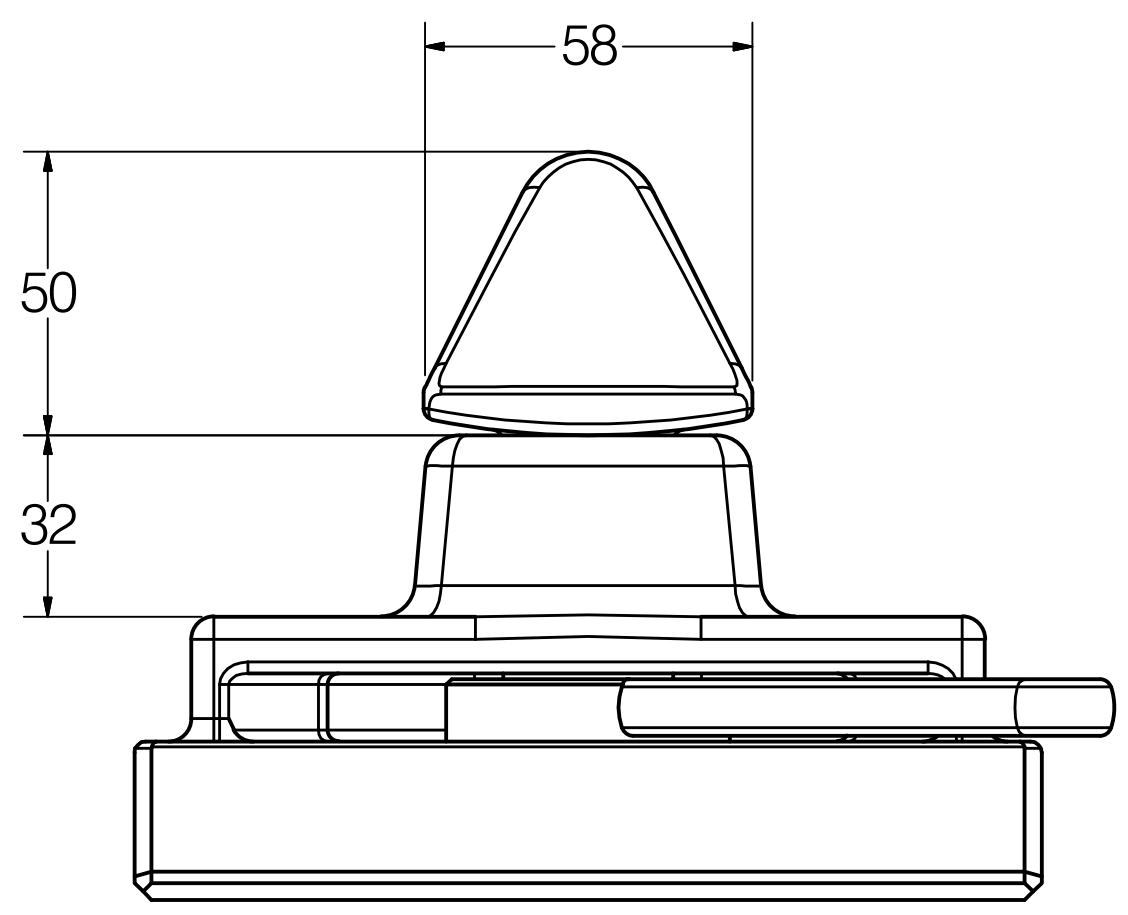
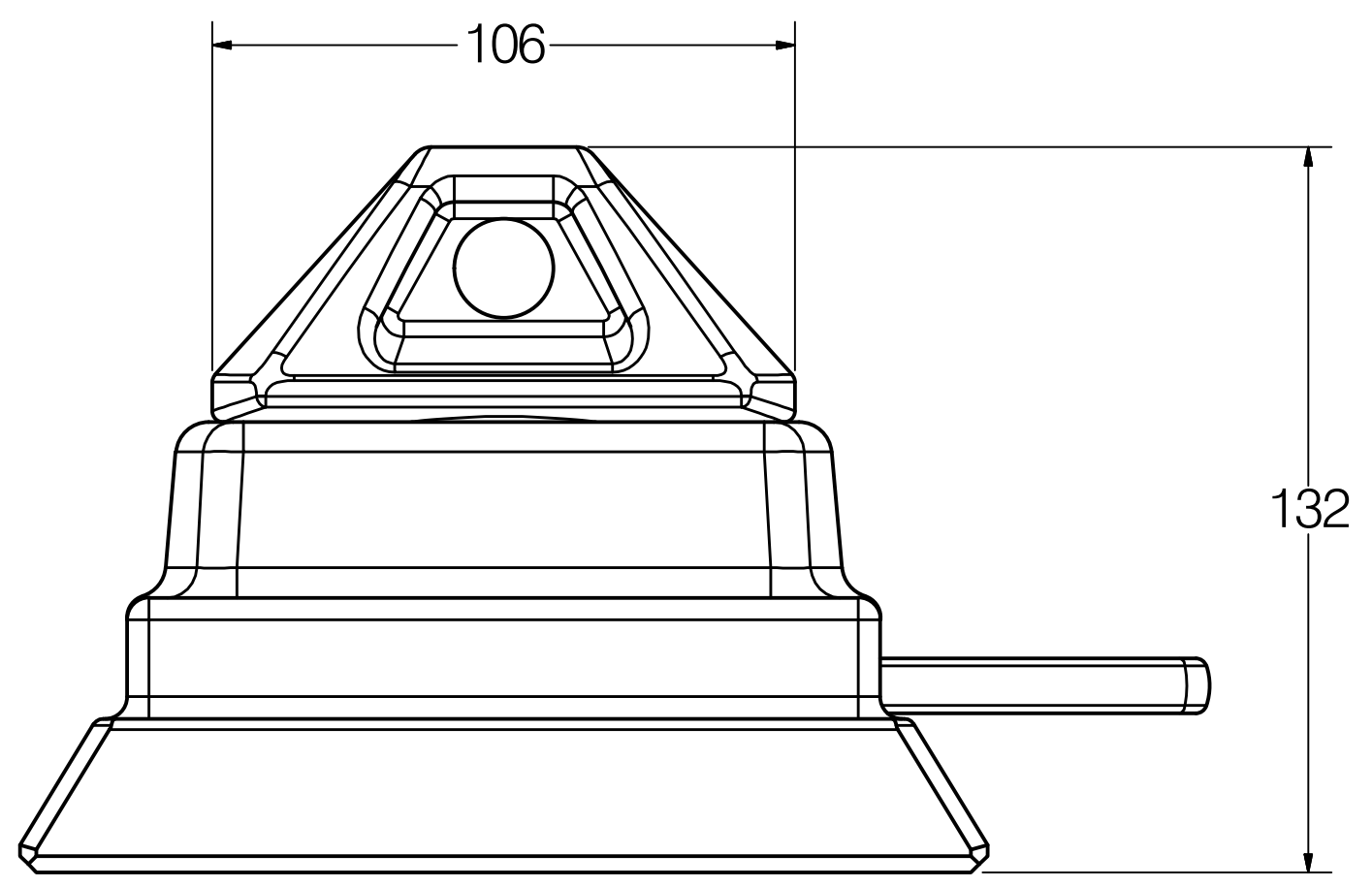
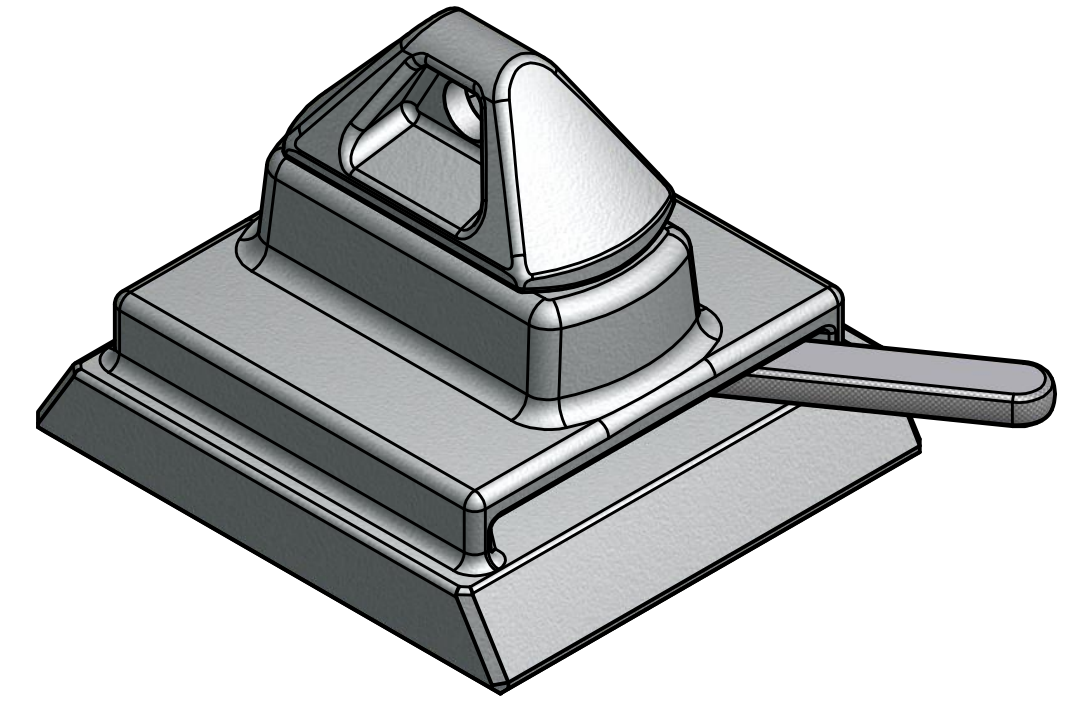
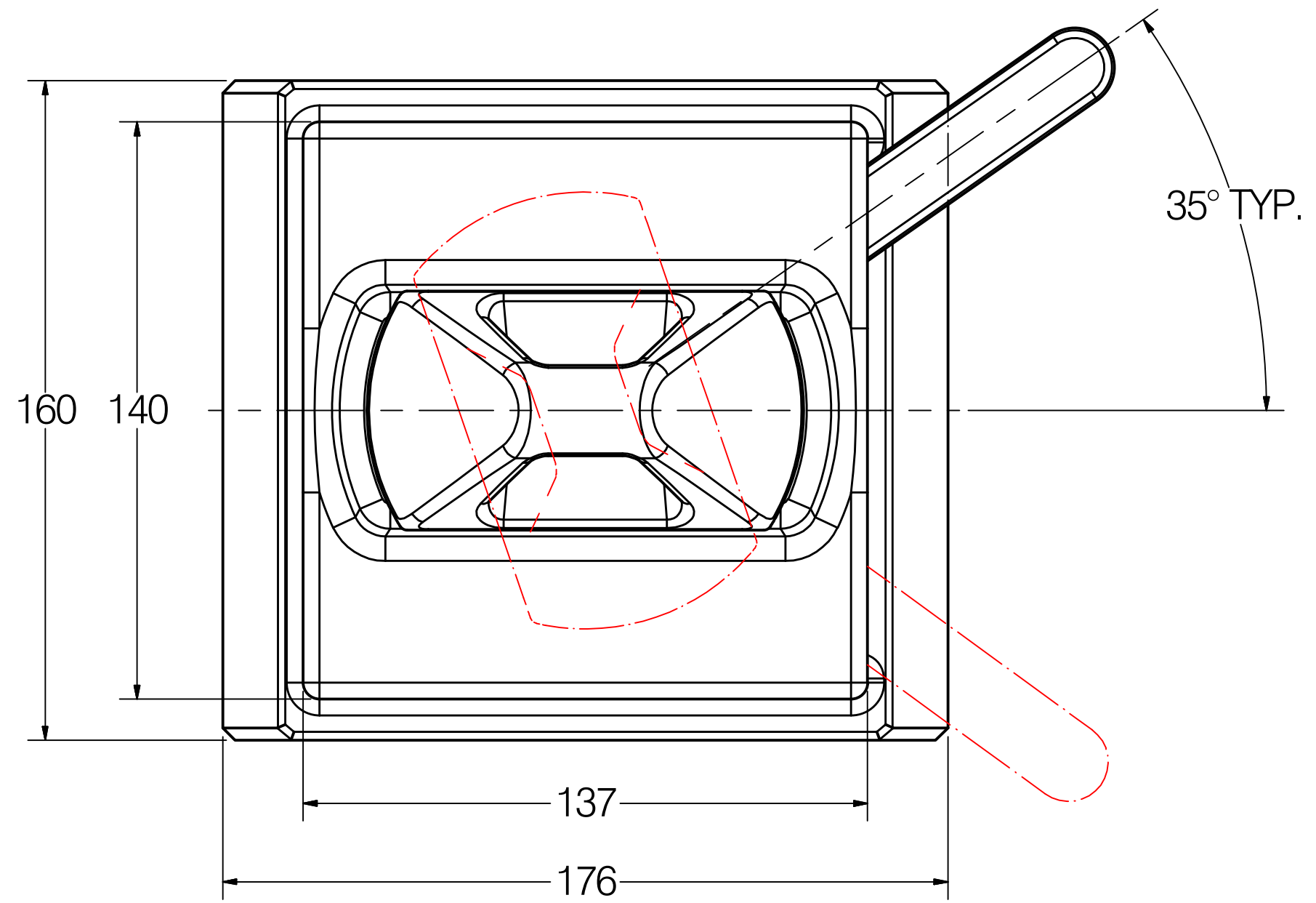


DCN.	ECN.	ECR	8	LOCATION	REV	BY	DATE	REMARKS	10	11
-	-	-	-	-	-	-	-	-	-	-



CC	FEATURES LABELED AS SUCH SHALL REQUIRE STATISTICAL PROCESS CONTROL
SC	FEATURES LABELED AS SUCH REQUIRE REFERENCE TO A CONTROL PLAN

SHEET 1 OF 1	INITIALS JMB	DR.	CK.	ENGR.	MFG.	QUAL.	MATL.
DATE 1/21/2011							
COUNTRY OF ORIGIN	3RD ANGLE PROJECTION	DO NOT SCALE					
UNITS MILLIMETERS		PLOT SCALE 1:1 DRAWING SCALE NTS		KRISRY INTERNATIONAL, INC. 1000 N. Rand Rd. Suite 117 Wauconda, IL 60084 (847) 487-4907			
GEOMETRIC TOLERANCE SYMBOLS CONCENTRICITY POSITION PERPENDICULARITY SYMMETRICAL CIRCULARITY STRAIGHTNESS PARALLELISM CIRCULARITY ANGULARITY FLATNESS TOTAL RUNOUT CIRCULAR RUNOUT MOST MATERIAL CONDITION PROFILE OF A LINE PROFILE OF A SURFACE BASIC DIMENSION LEAST MATERIAL CONDITION DATUM REGARDLESS OF FEATURE SIZE PATH				This drawing is the property of Krisry International Inc. It is furnished to you for confidential information purposes only. It is not to be disclosed to anyone else, reproduced, or used for manufacturing purposes without the express written permission of Krisry International Inc.			
DRAWING TITLE MARINE TWISTLOCK							REV
DRAWING NUMBER KRY55							DWG SIZE C