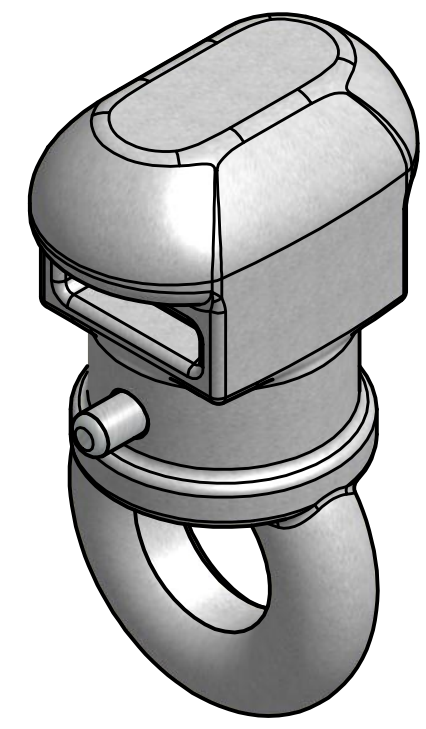
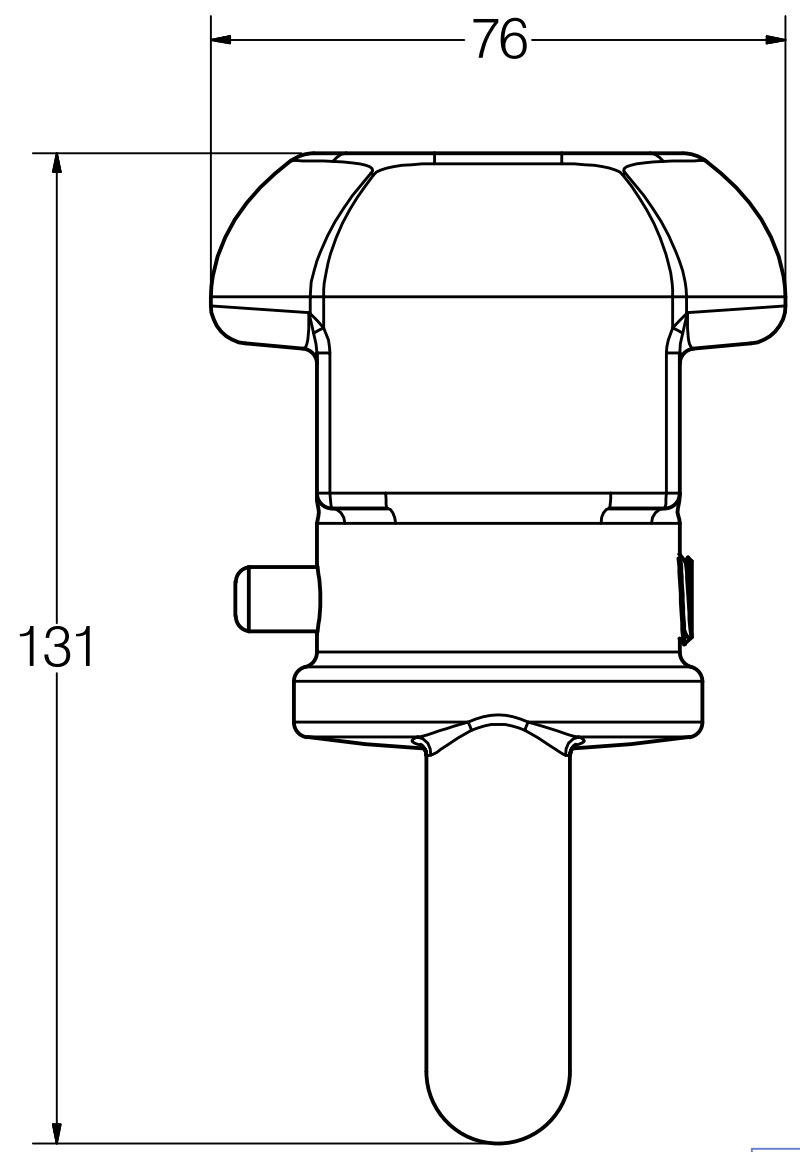
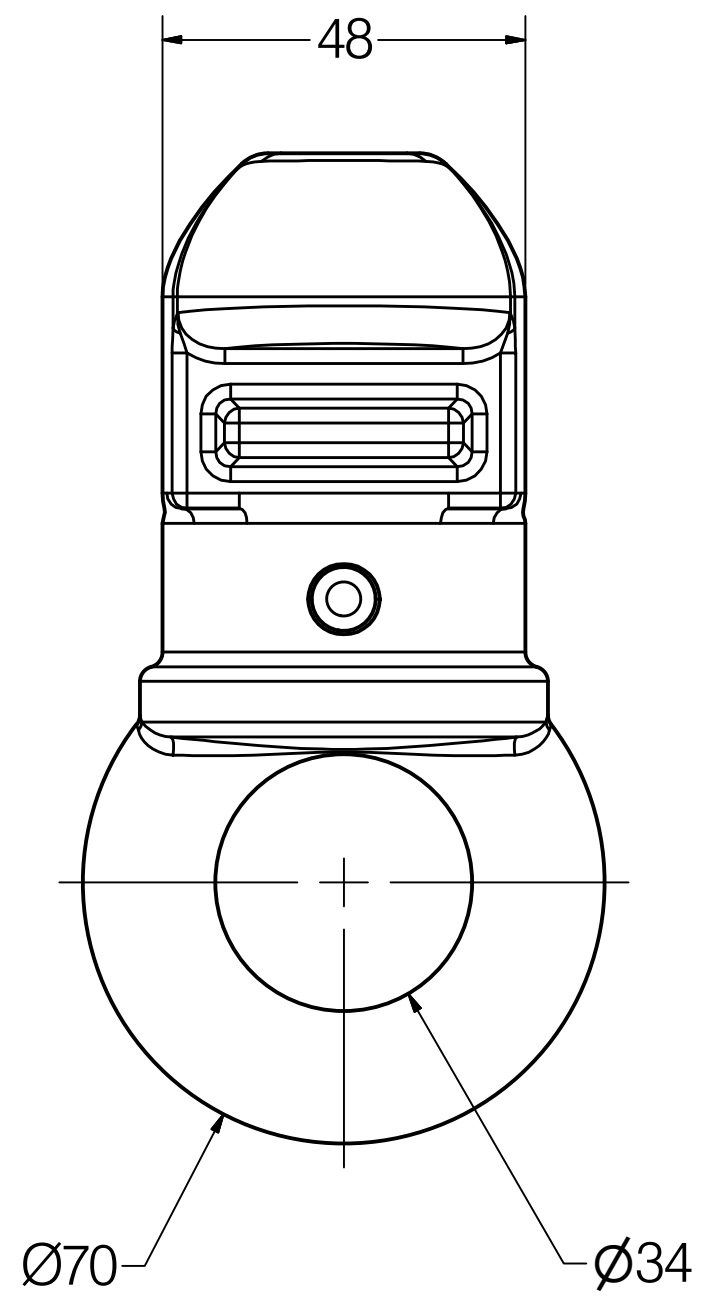


5		6		7		8	
DCN, ECN, ECR	LOCATION	REV	BY	DATE	REMARKS		
-	-	-	CHK	DATE			



CC	FEATURES LABELED AS SUCH SHALL REQUIRE STATISTICAL PROCESS CONTROL
SC	FEATURES LABELED AS SUCH REQUIRE REFERENCE TO A CONTROL PLAN

SHEET 1 OF 1	INITIALS JMB	DR.	CK.	ENGR.	MFG.	QUAL.	MATL.
	DATE 12/23/2010						
COUNTRY OF ORIGIN	3RD ANGLE 	DO NOT SCALE	 KRISRY INTERNATIONAL, INC. 1000 N. Rand Rd. Suite 117 Wauconda, IL 60084 (847) 487-4907				
UNITS MILLIMETERS	PROJECTION	PLOT SCALE 1:1 DRAWING SCALE NTS	This drawing is the property of Krisry International. It is furnished to you for confidential information purposes only. It is not to be disclosed to anyone else, reproduced, or used for manufacturing purposes without the express written permission of Krisry International.				
GEOMETRIC TOLERANCE SYMBOLS ○ CONCENTRICITY ⊕ POSITION ⊥ PERPENDICULARITY ≡ SYMMETRICAL ○ CIRCULARITY — STRAIGHTNESS // PARALLELISM ∅ CYLINDRICITY ∠ ANGULARITY / / FLATNESS Ⓢ TOTAL RUNOUT ↗ CIRCULAR RUNOUT ⊕ MOST MATERIAL CONDITION ○ PROFILE OF A LINE △ PROFILE OF A SURFACE □ BASIC DIMENSION ⊖ LEAST MATERIAL CONDITION ▸ DATUM ⊕ REGARDLESS OF FEATURE SIZE			DRAWING TITLE END APERTURE PULL LUG		REV		
PATH			DRAWING NUMBER KRY6370		DWG SIZE B		