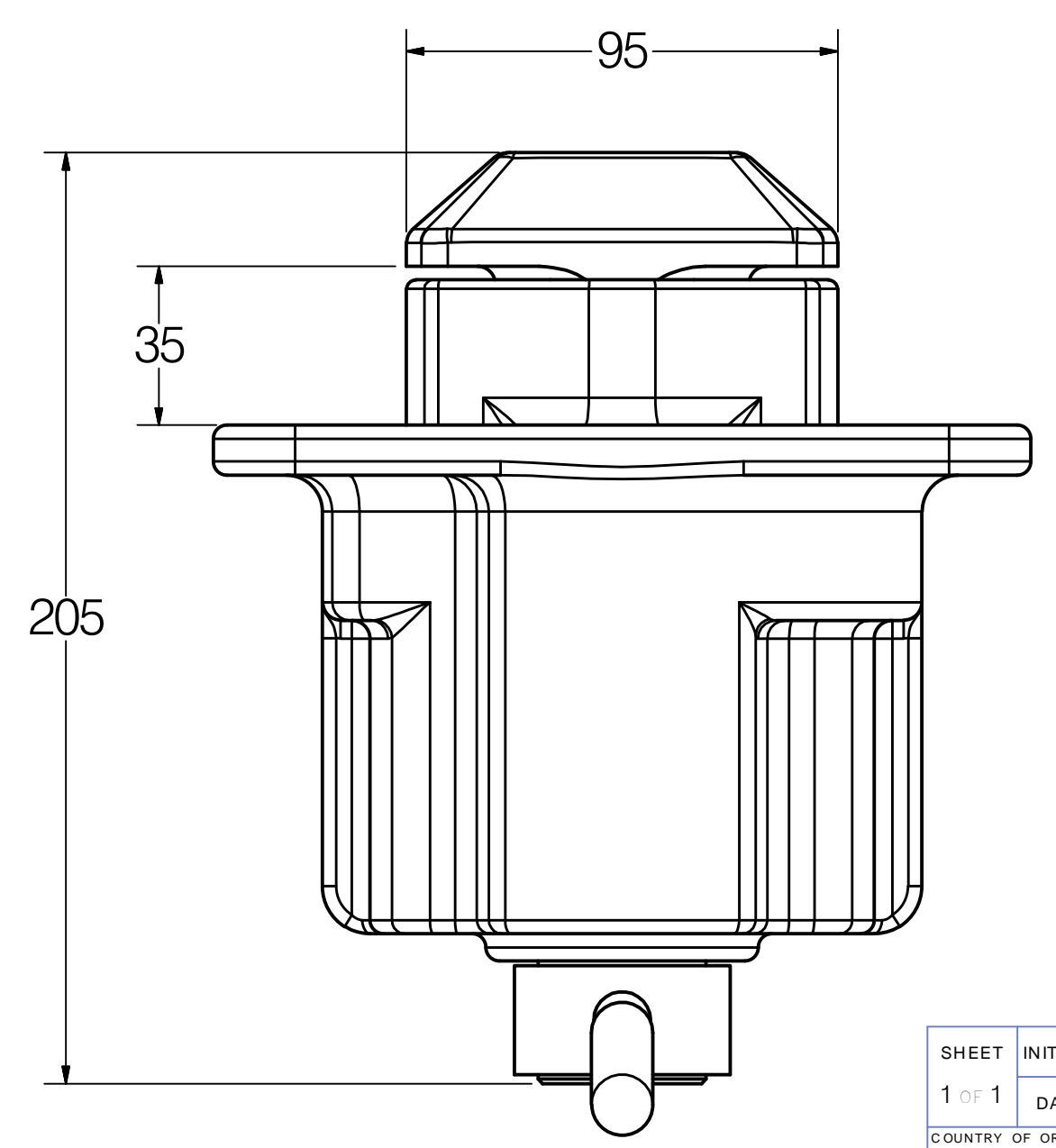
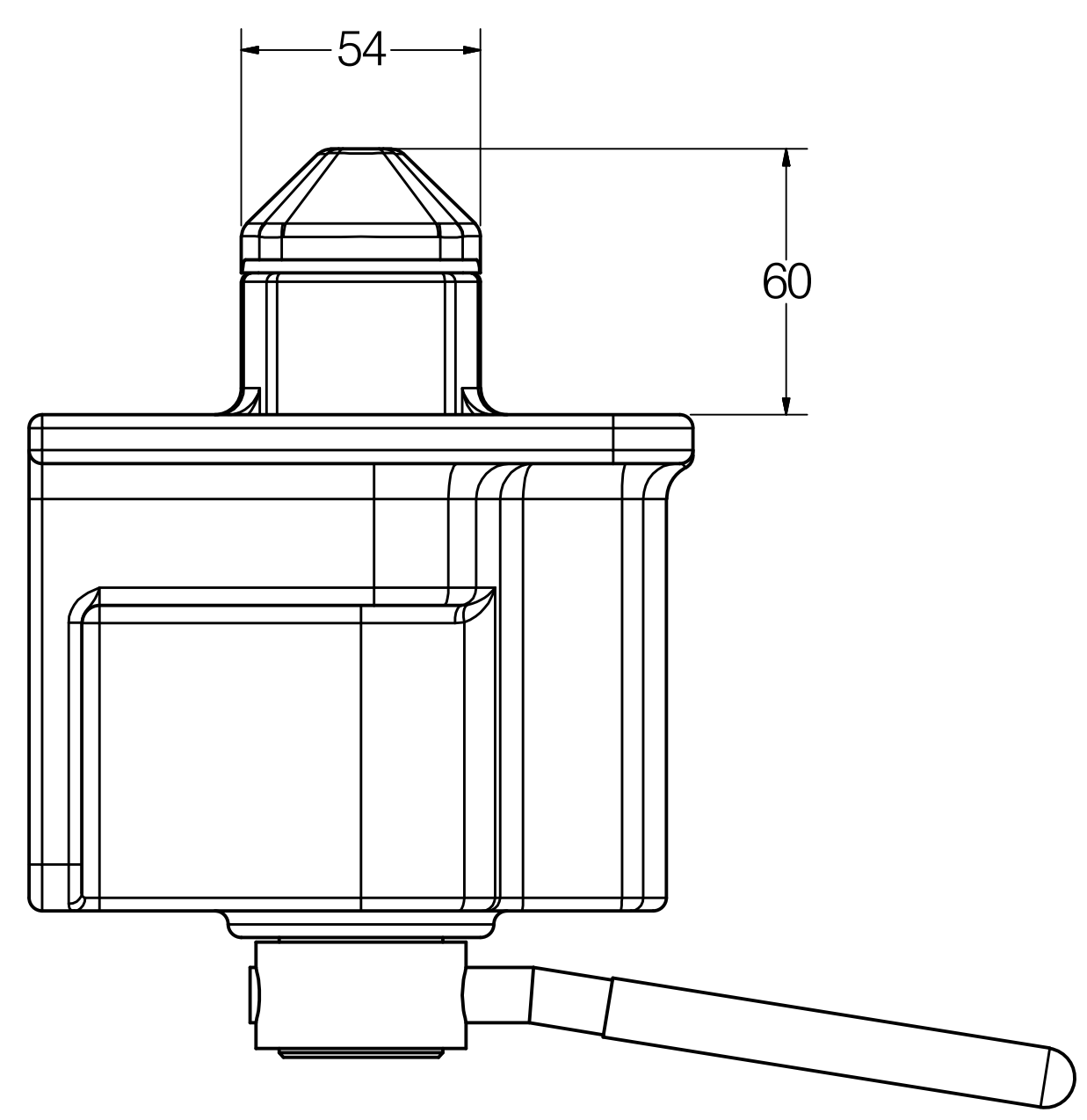
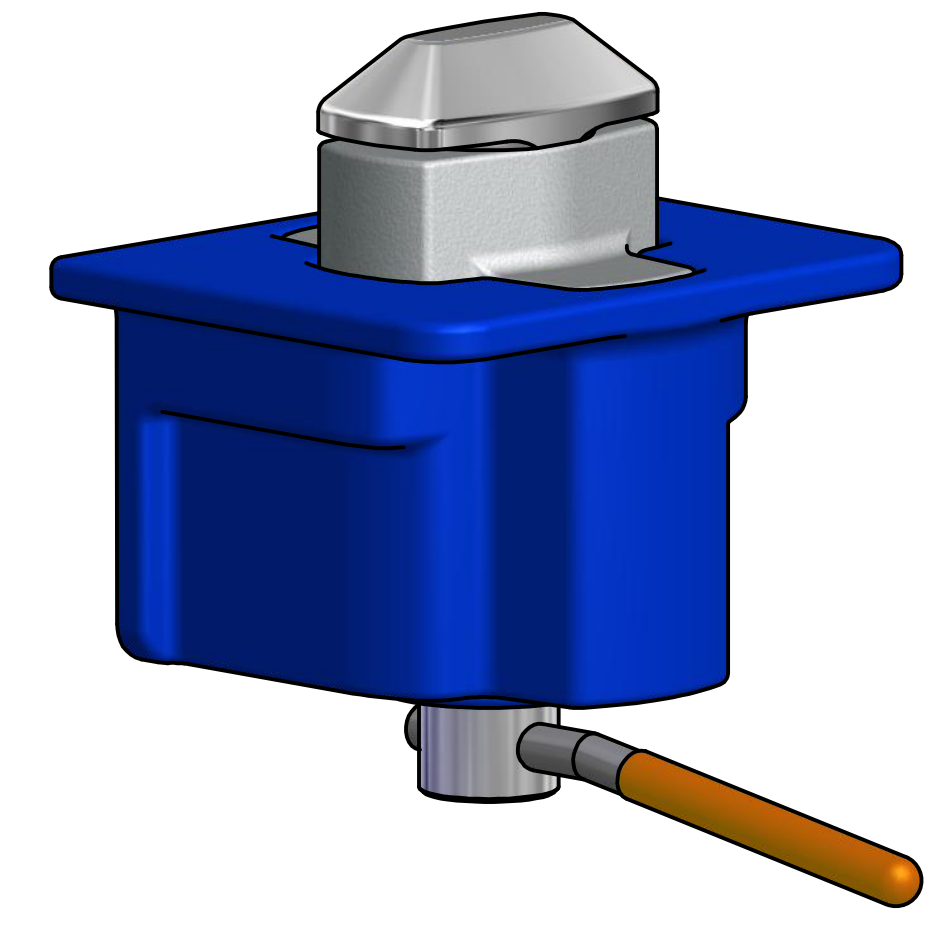
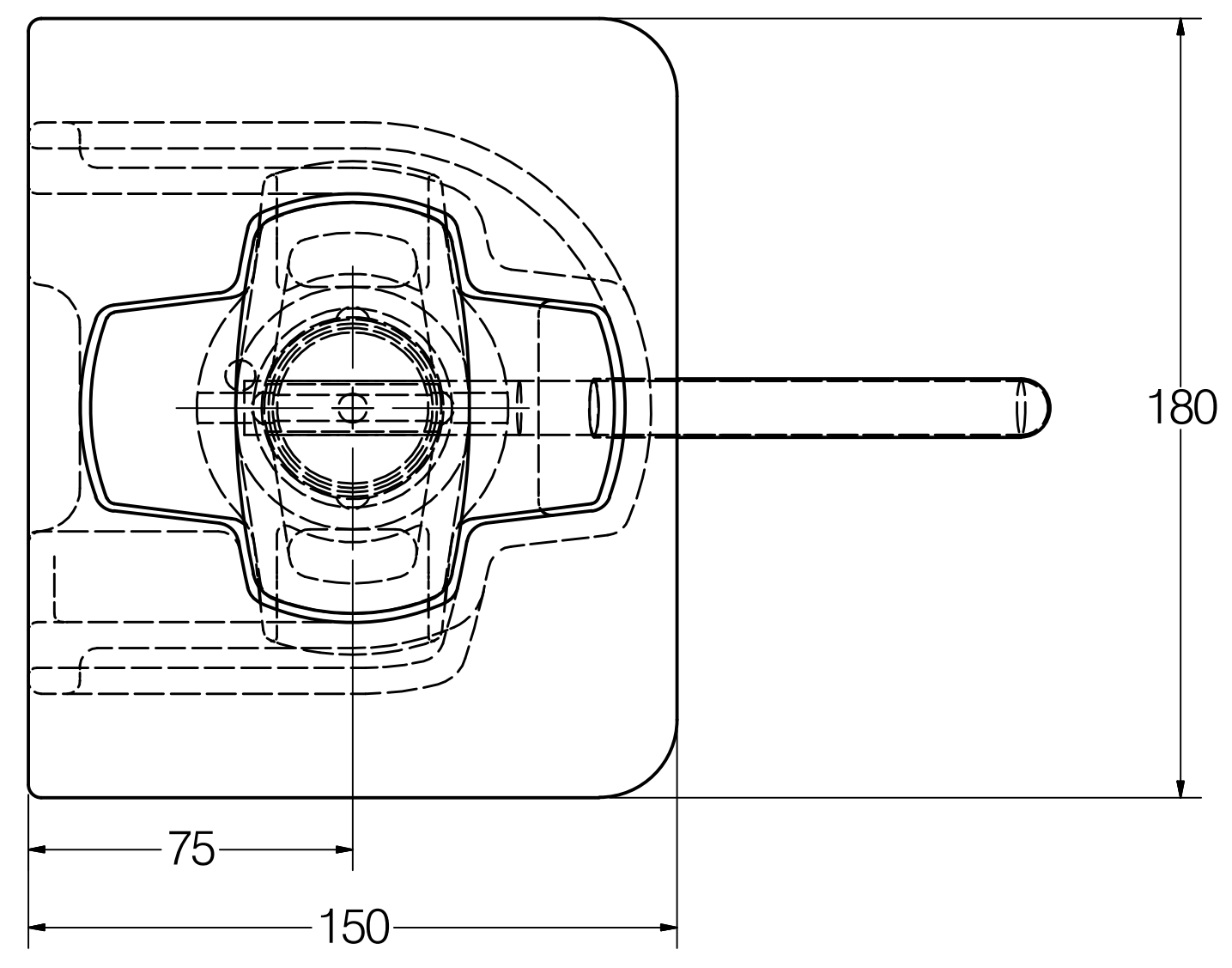


DCN.	ECN.	ECR	LOCATION	REV	BY	DATE	REMARKS
-	-	-	-	-	-	-	-



CC	FEATURES LABELED AS SUCH SHALL REQUIRE STATISTICAL PROCESS CONTROL
SC	FEATURES LABELED AS SUCH REQUIRE REFERENCE TO A CONTROL PLAN

SHEET	INITIALS	DR.	JMB	CK.	-	ENGR.	-	MFG.	-	QUAL.	-	MATL.	-
1 OF 1	DATE	3/14/2011											
COUNTRY OF ORIGIN	3RD ANGLE	DO NOT SCALE											
UNITS	PROJECTION	PLOT SCALE	1:1										
MILLIMETERS		DRAWING SCALE	NTS										

KRISRY International

KRISRY INTERNATIONAL, INC.
1000 N. Rand Rd. Suite 117
Wauconda, IL 60084
(847) 487-4907

⊙ CONCENTRICITY	⊕ POSITION	⊥ PERPENDICULARITY
≡ SYMMETRICAL	○ CIRCULARITY	— STRAIGHTNESS
// PARALLELISM	∅ CYLINDRICITY	∠ ANGULARITY
∠ FLATNESS	∞ TOTAL RUNOUT	↻ CIRCULAR RUNOUT
⊙ MOST MATERIAL CONDITION	∞ PROFILE OF A LINE	∞ BASIC DIMENSION
∞ PROFILE OF A SURFACE	□ DATUM	
∞ LEAST MATERIAL CONDITION		
∞ REGARDLESS OF FEATURE SIZE		

DRAWING TITLE	REV
RETRACTABLE TWISTLOCK	
DRAWING NUMBER	DWG SIZE
BLR 148/RNS Mk1	C