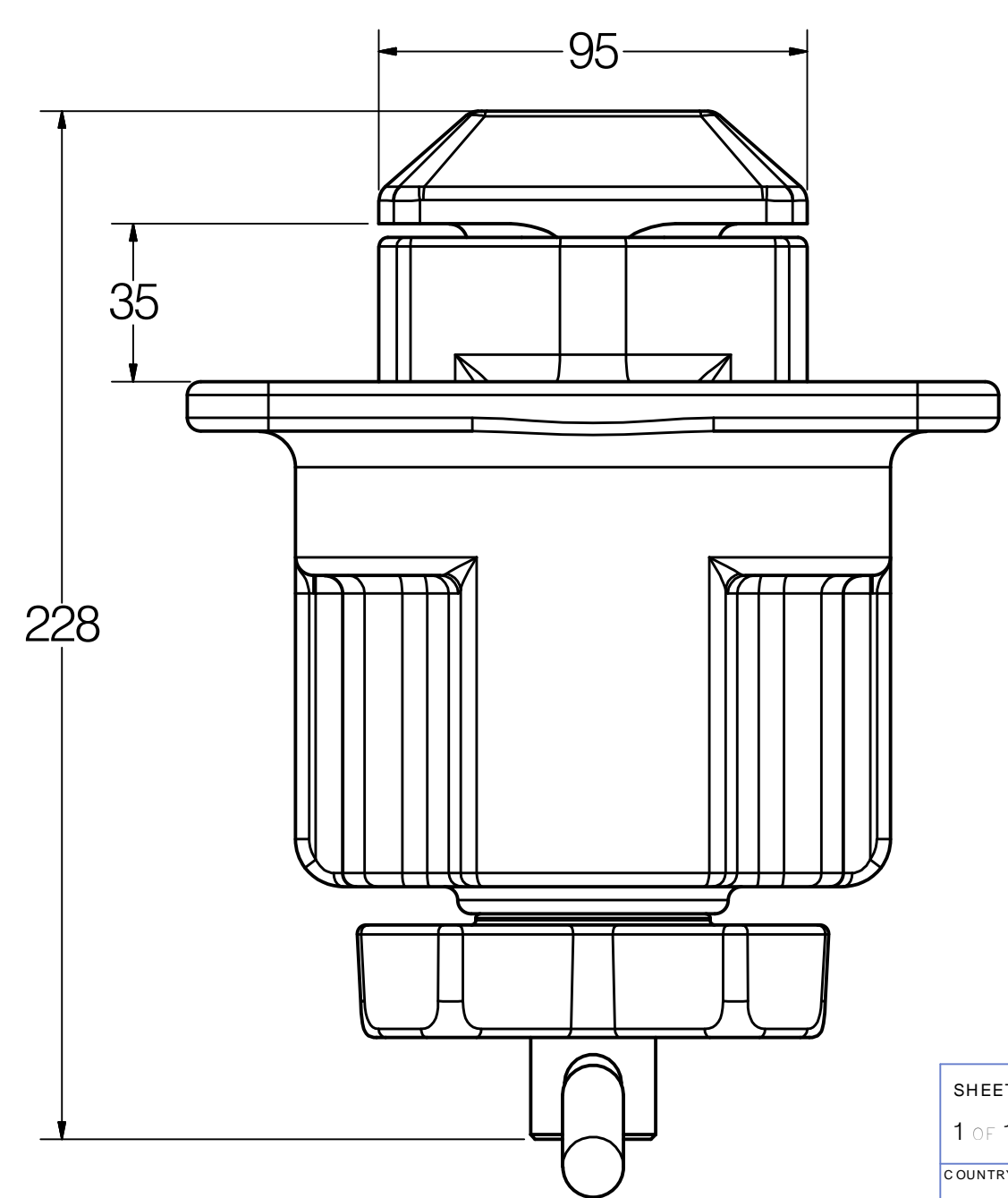
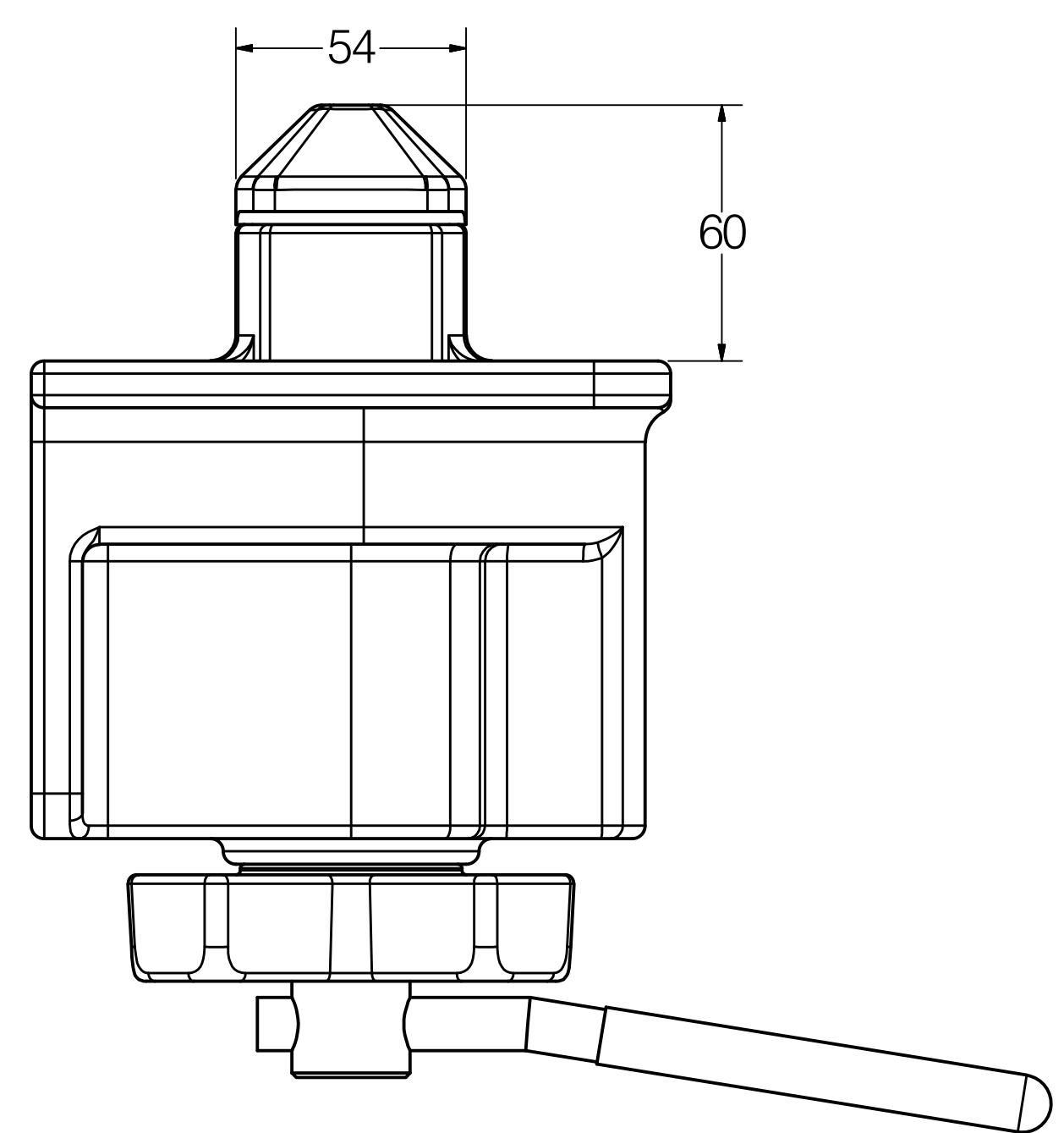
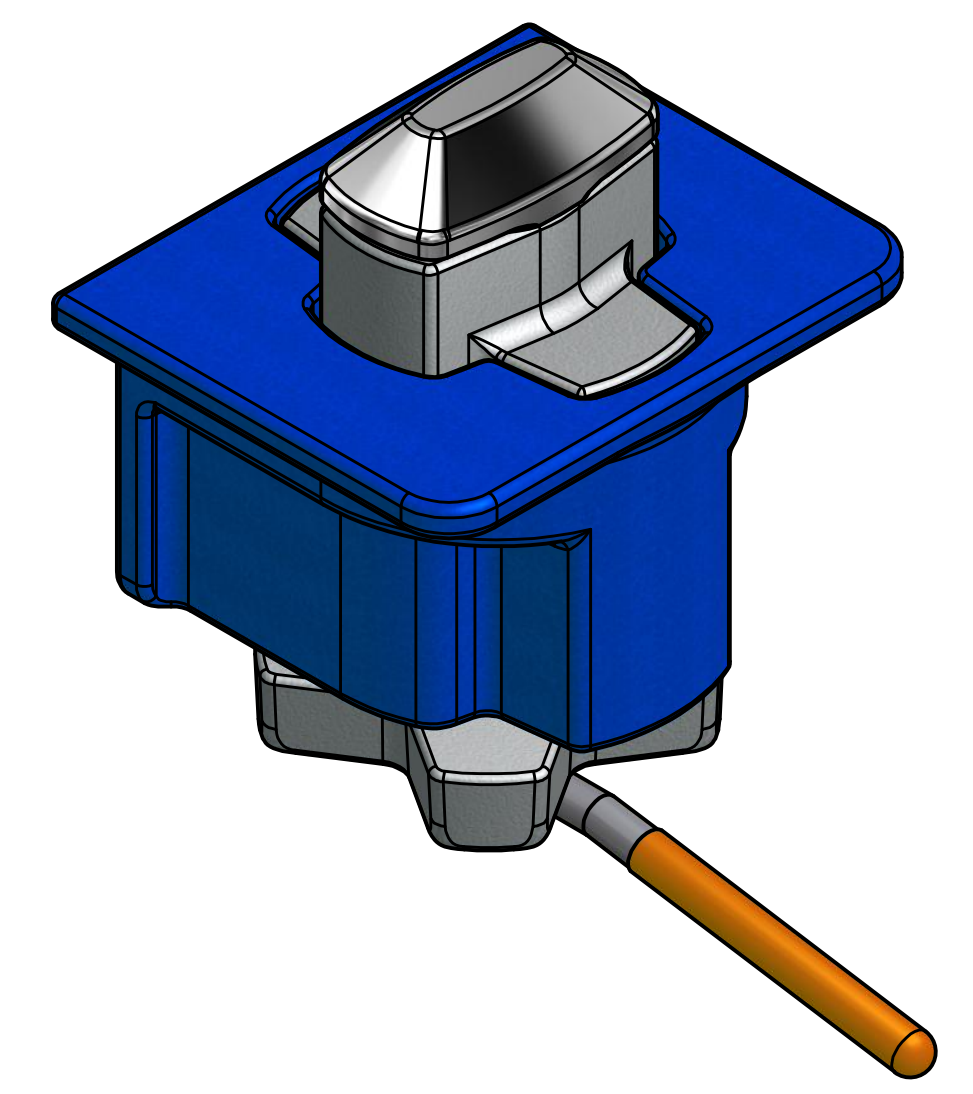
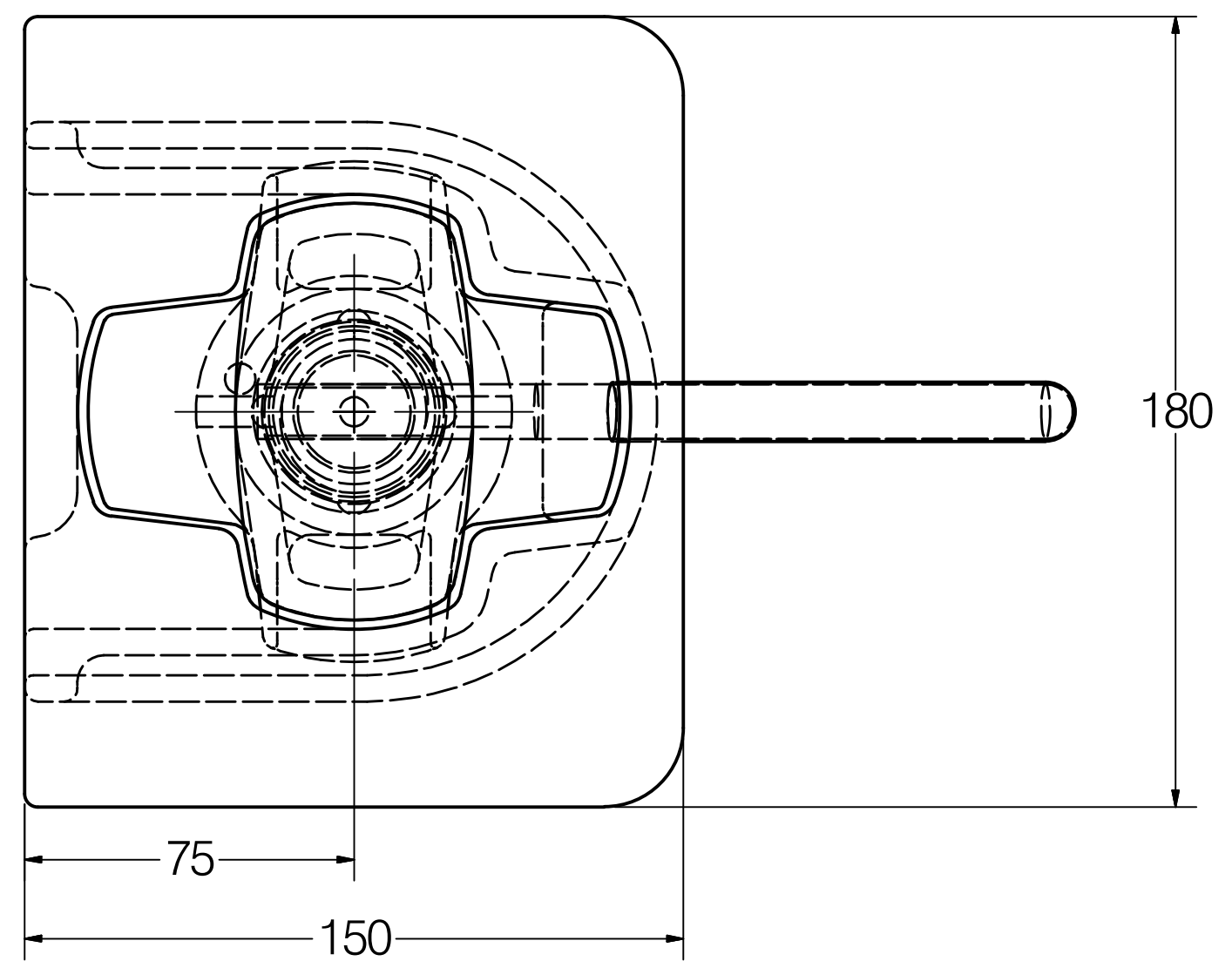


DCN.	ECN.	ECR	LOCATION	REV	BY	DATE	REMARKS
-	-	-	-	-	-	-	-



CC	FEATURES LABELED AS SUCH SHALL REQUIRE STATISTICAL PROCESS CONTROL
SC	FEATURES LABELED AS SUCH REQUIRE REFERENCE TO A CONTROL PLAN

SHEET	INITIALS	DR.	JMB	CK.	-	ENGR.	-	MFG.	-	QUAL.	-	MATL.	-
1 OF 1	DATE	3/21/2011											
COUNTRY OF ORIGIN	3RD ANGLE	DO NOT SCALE											
UNITS	PROJECTION	PLOT SCALE	1:1										
MILLIMETERS		DRAWING SCALE	NTS										

KRISRY International

KRISRY INTERNATIONAL, INC.
1000 N. Rand Rd. Suite 117
Wauconda, IL 60084
(847) 487-4907

<p>GEOMETRIC TOLERANCE SYMBOLS</p> <ul style="list-style-type: none"> CONCENTRICITY SYMMETRICAL PARALLELISM FLATNESS MOST MATERIAL CONDITION PROFILE OF A SURFACE LEAST MATERIAL CONDITION REGARDLESS OF FEATURE SIZE 	<p>POSITION</p> <ul style="list-style-type: none"> CIRCULARITY CYLINDRICITY TOTAL RUNOUT PROFILE OF A LINE BASIC DIMENSION DATUM 	<p>PERPENDICULARITY</p> <ul style="list-style-type: none"> STRAIGHTNESS ANGULARITY CIRCULAR RUNOUT PROFILE OF A LINE BASIC DIMENSION DATUM
--	---	---

DRAWING TITLE	RETRACTABLE TWISTLOCK	REV	
DRAWING NUMBER	BLR148RS Mk2	DWG SIZE	C

