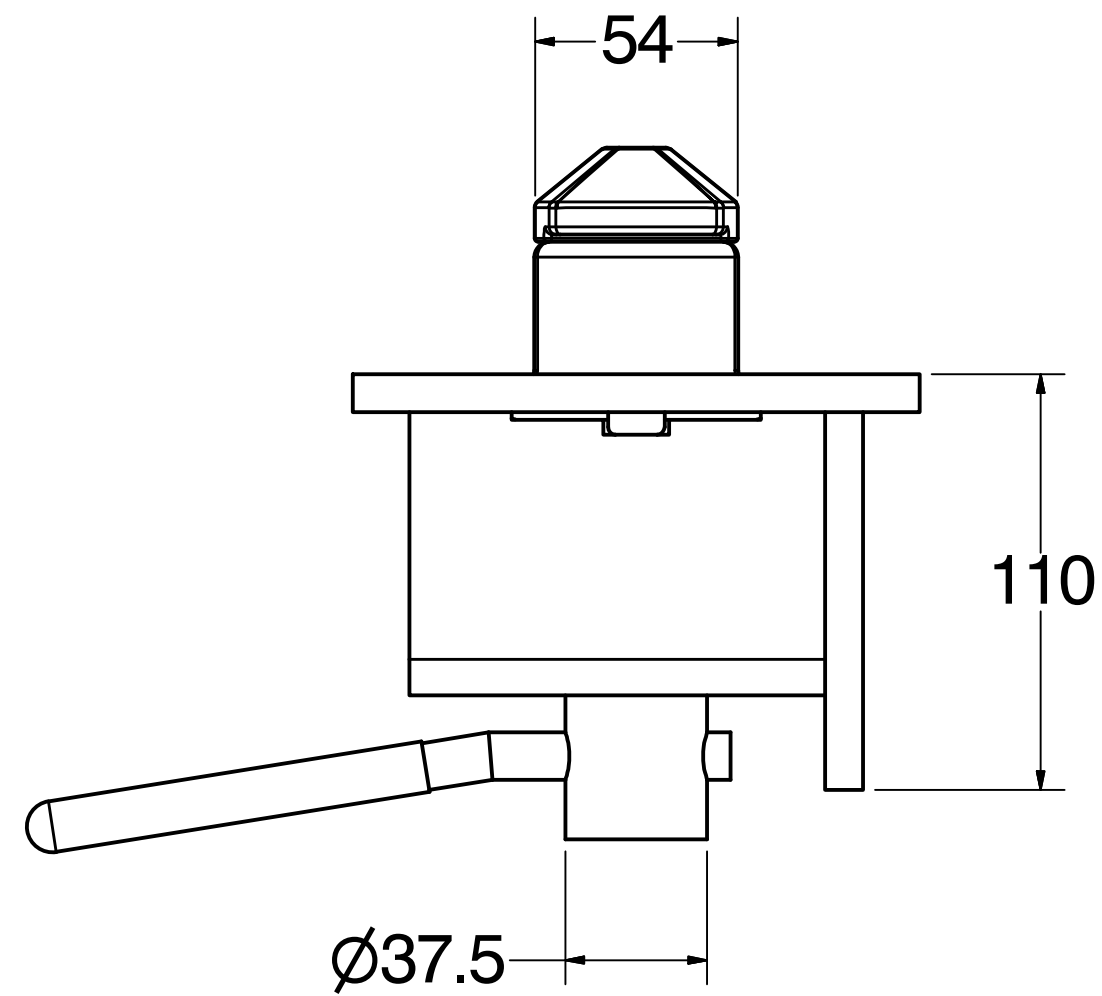
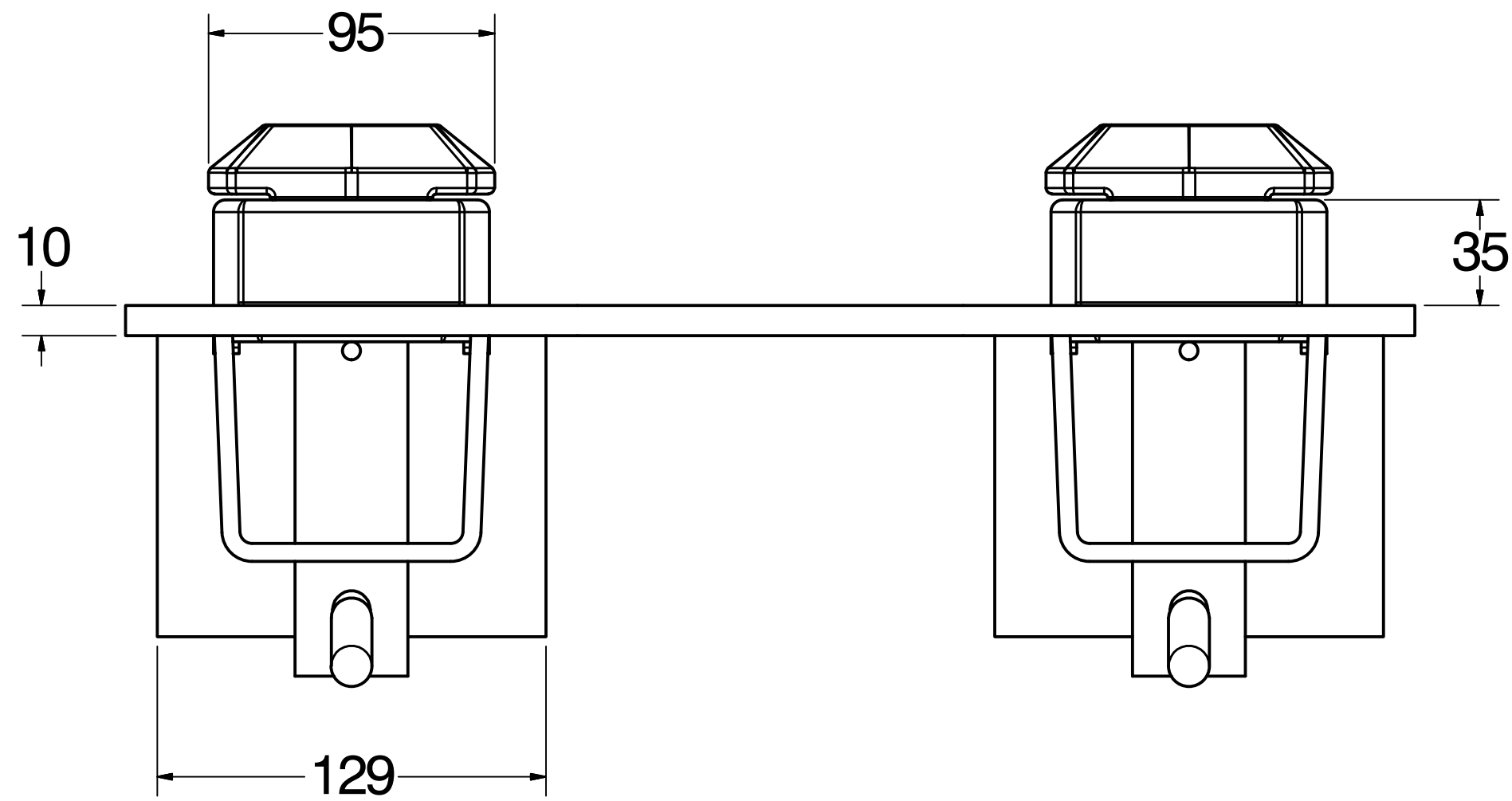
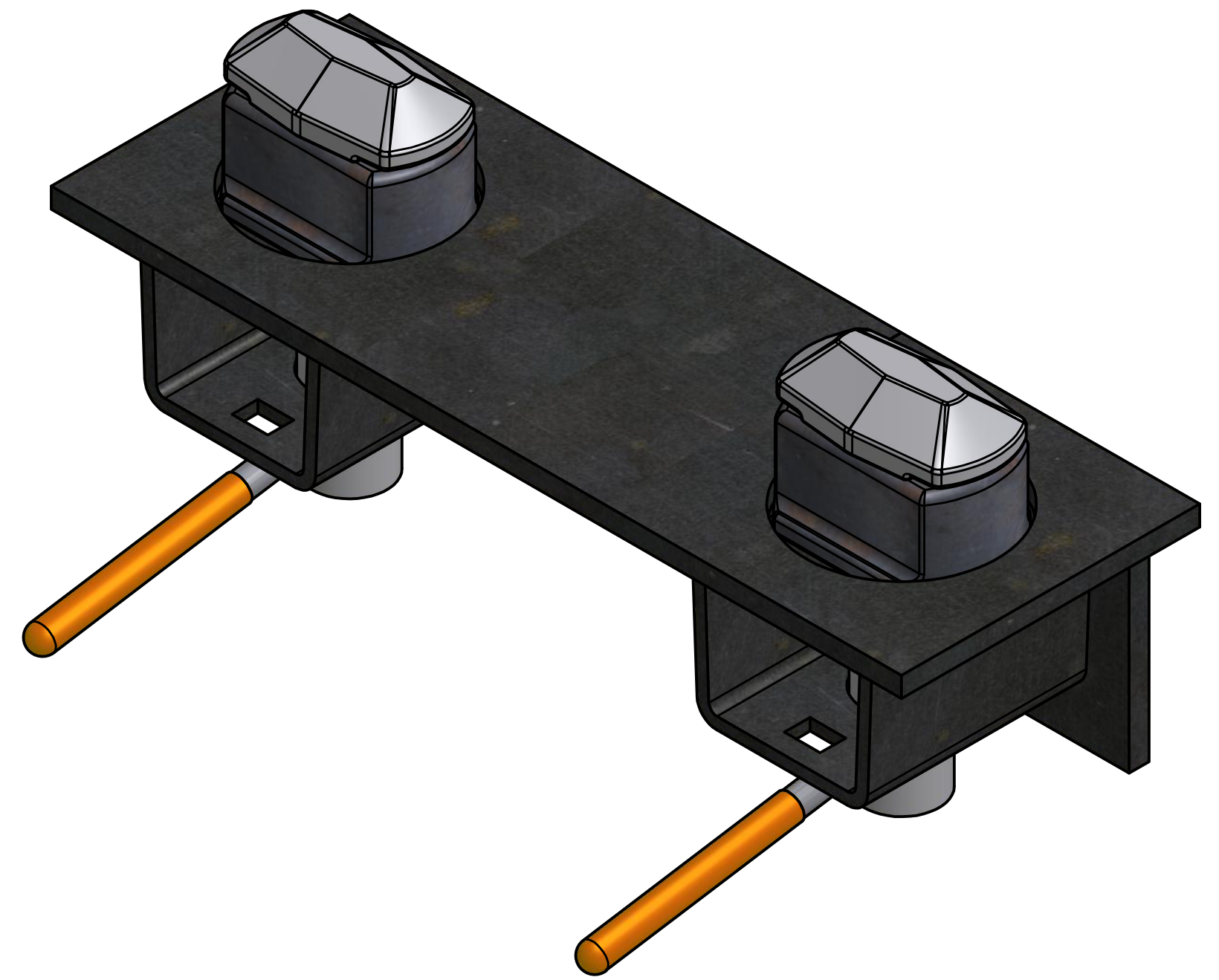
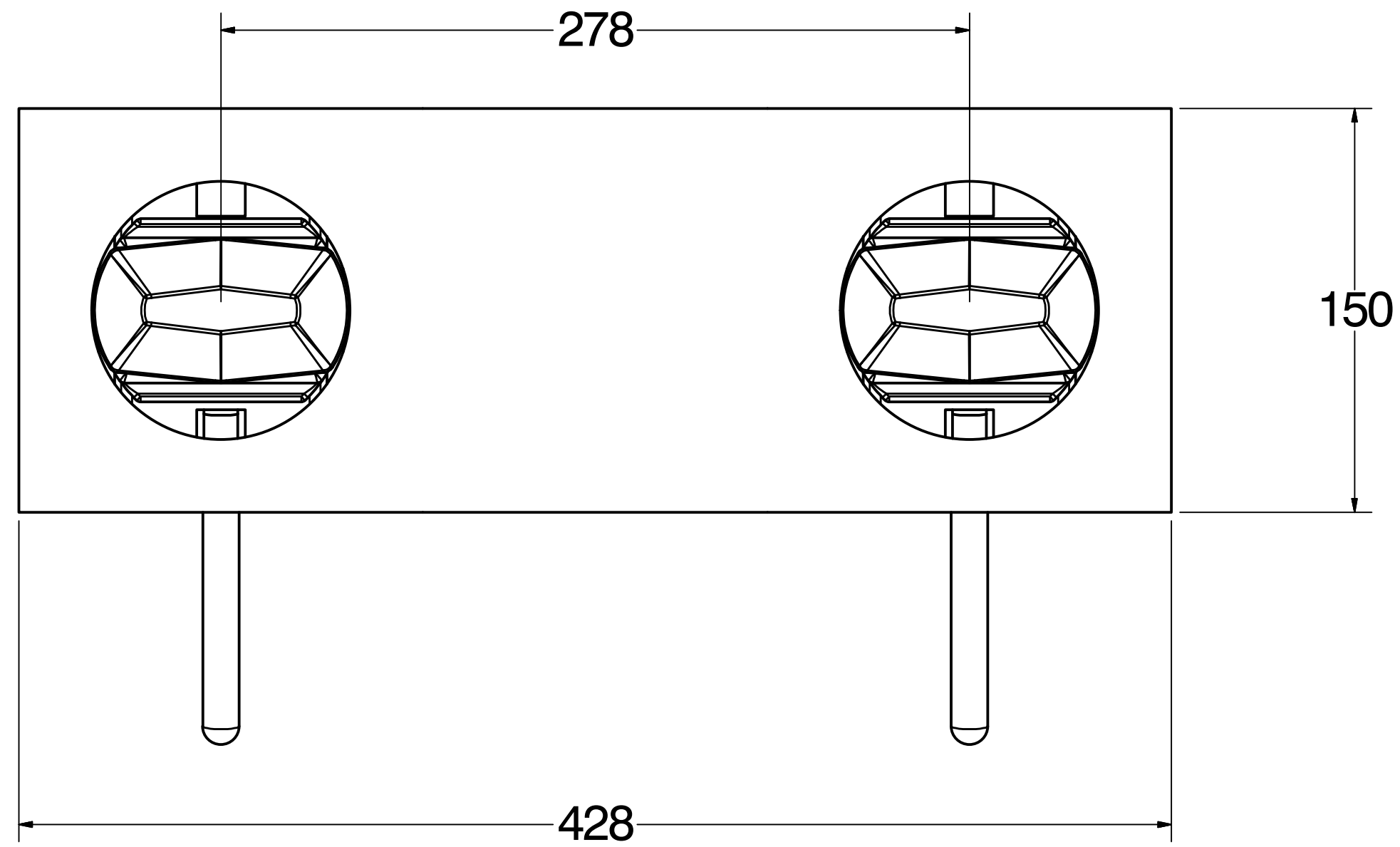



DCN, ECN, ECR	LOCATION	REV	BY	DATE	REMARKS
-	-	-	CHK	-	REMARKS



CC	FEATURES LABELED AS SUCH SHALL REQUIRE STATISTICAL PROCESS CONTROL
SC	FEATURES LABELED AS SUCH REQUIRE REFERENCE TO A CONTROL PLAN

SHEET	INITIALS	DR.	EDC	CK.	-	ENGR.	-	MFG.	-	QUAL.	-	MATL.	-
1 of 1	DATE	6/12/2013											
COUNTRY OF ORIGIN	3RD ANGLE		DO NOT SCALE		 KRISRY INTERNATIONAL INC. (847) 487-4907 - phone 1000 N. Rand Road, Suite 117 Wauconda, Illinois 60084								
UNITS	PROJECTION		PLOT SCALE 1:1		This drawing is the property of Krisry International Inc. It is furnished to you for confidential information purposes only. It is not to be disclosed to anyone else, reproduced, or used for manufacturing purposes without the express written permission of Krisry International Inc..								
MILLIMETERS	PROJECTION		DRAWING SCALE NTS		DRAWING TITLE BLR 1313 DRAWING NUMBER REV DWG SIZE C								
GEOMETRIC TOLERANCE SYMBOLS CONCENTRICITY POSITION PERPENDICULARITY SYMMETRICAL CIRCULARITY STRAIGHTNESS PARALLELISM CIRCULARITY ANGLARITY FLATNESS TOTAL RUNOUT CIRCULAR RUNOUT MOST MATERIAL CONDITION PROFILE OF A LINE PROFILE OF A SURFACE BASIC DIMENSION LEAST MATERIAL CONDITION DATUM REGARDLESS OF FEATURE SIZE PATH													