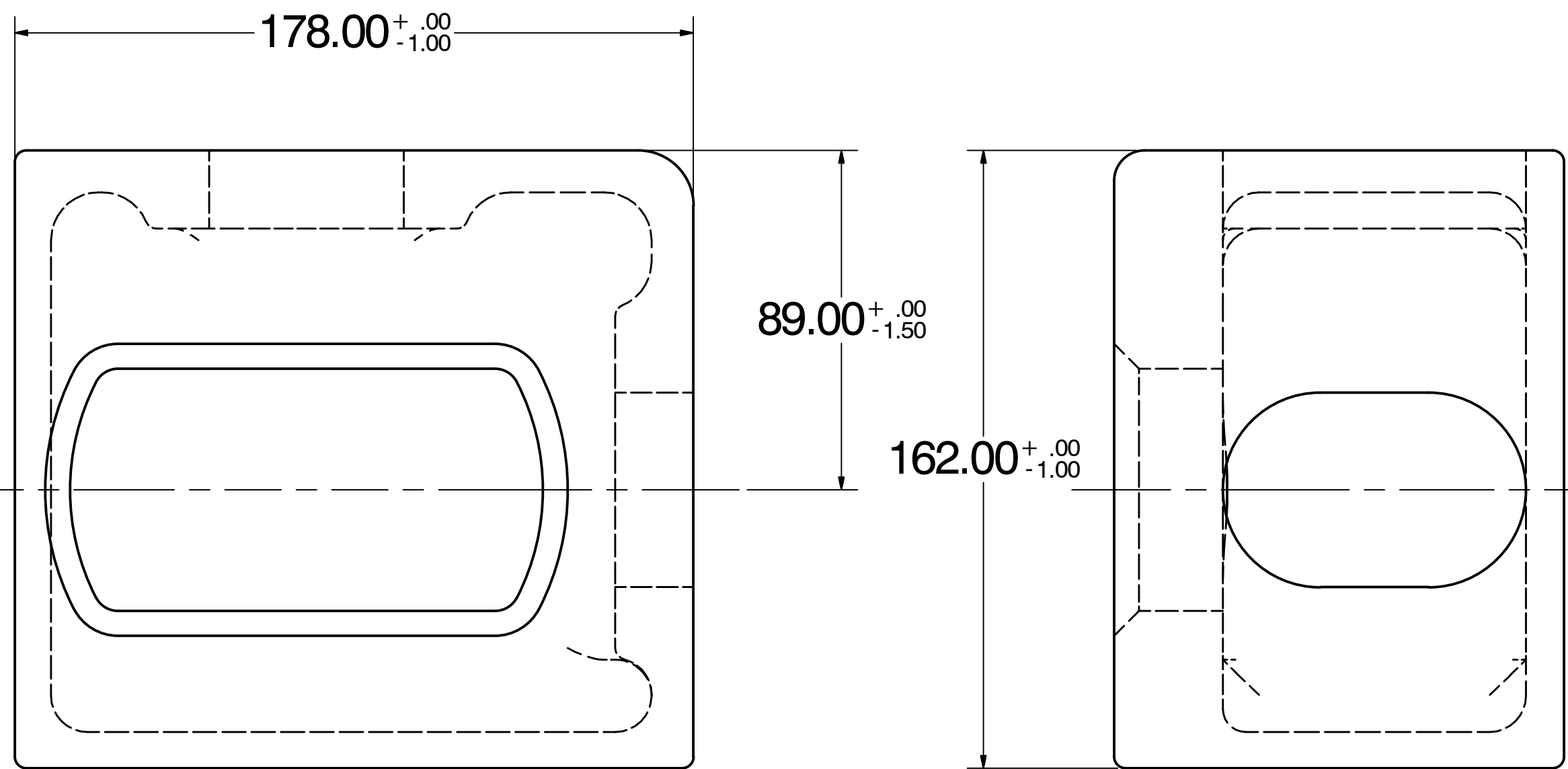
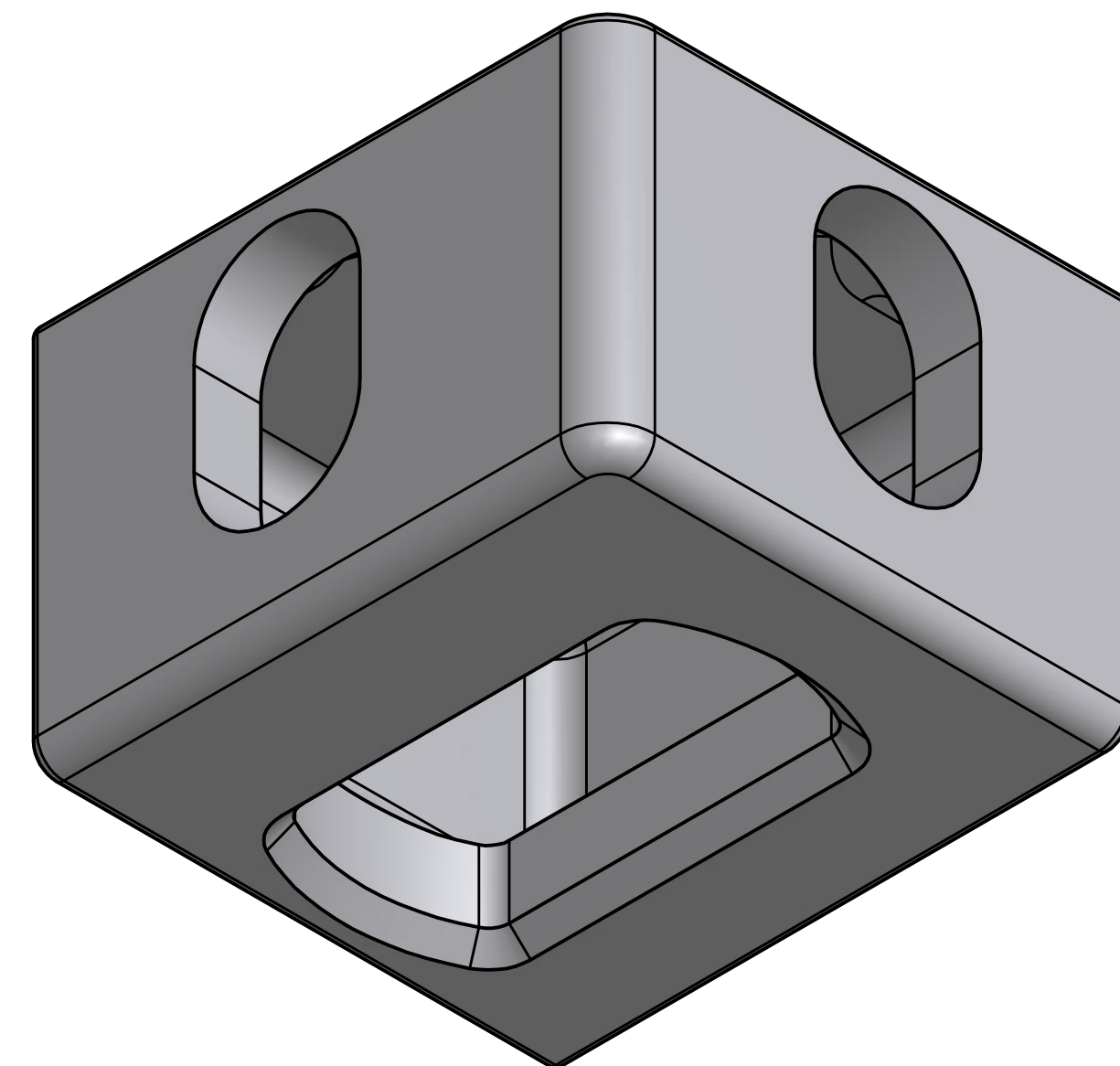
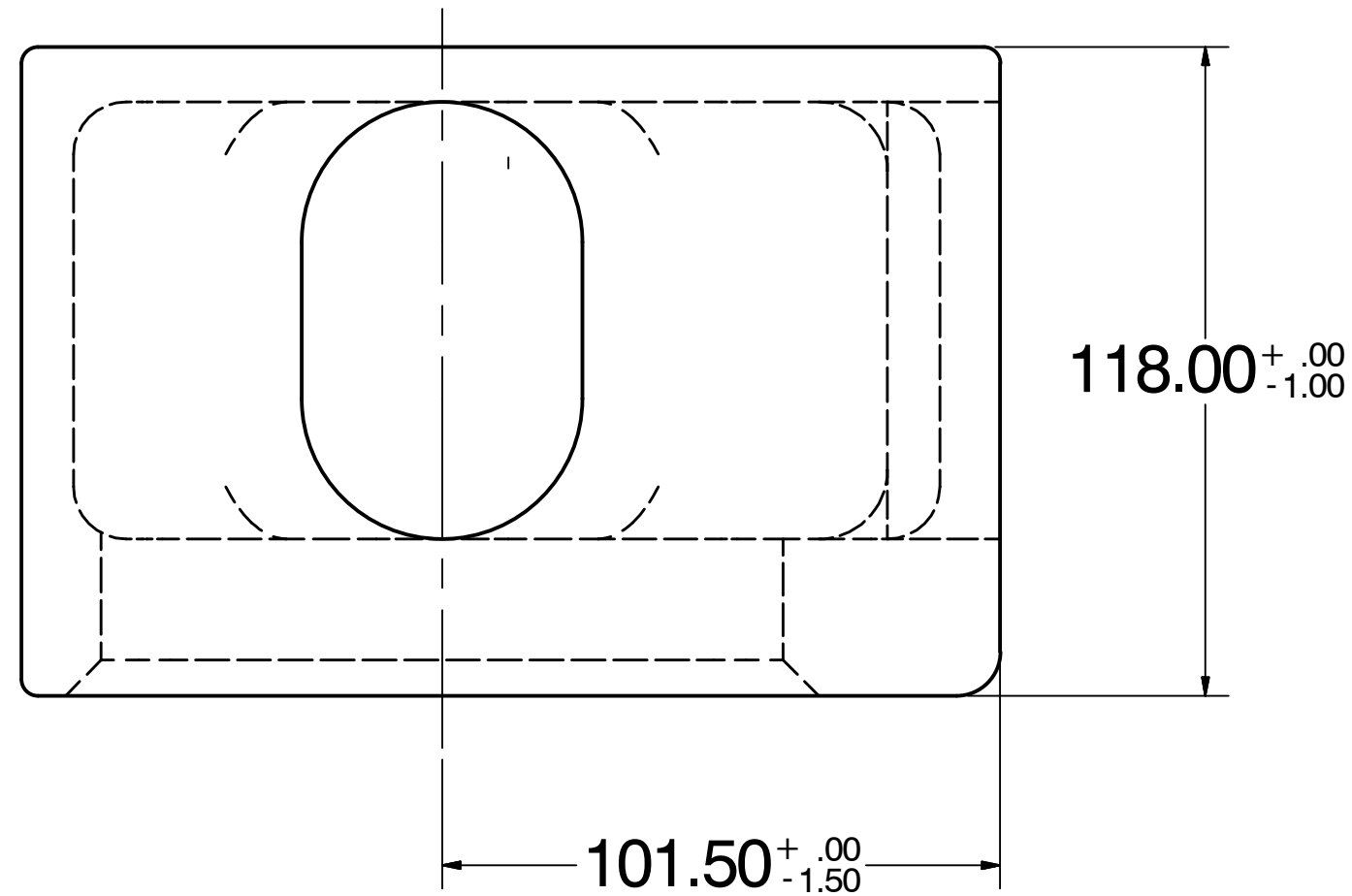


DCN, ECN, ECR	LOCATION	REV	BY	DATE	REMARKS
-	-	-	CHK	-	-



LH SHOWN (RH OPPOSITE)

CC	FEATURES LABELED AS SUCH SHALL REQUIRE STATISTICAL PROCESS CONTROL
SC	FEATURES LABELED AS SUCH REQUIRE REFERENCE TO A CONTROL PLAN

SHEET 1 OF 1	INITIALS DATE	DR. 07/21/10	CK. -	ENGR. -	MFG. -	QUAL. -	MATL. -
COUNTRY OF ORIGIN	UNITS MILLIMETERS	3RD ANGLE PROJECTION	DO NOT SCALE PLOT SCALE 1:1 DRAWING SCALE NTS				
<p>GEOMETRIC TOLERANCE SYMBOLS</p> <ul style="list-style-type: none"> CONCENTRICITY SYMMETRICAL PARALLELISM FLATNESS PROFILE OF A SURFACE LEAST MATERIAL CONDITION REGARDLESS OF FEATURE SIZE POSITION CIRCULARITY CYLINDRICITY TOTAL RUNOUT BASIC DIMENSION DATUM PERPENDICULARITY STRAIGHTNESS ANGULARITY CIRCULAR RUNOUT PROFILE OF A LINE 				<p>This drawing is the property of Krisry International Inc. It is furnished to you for confidential information purposes only. It is not to be disclosed to anyone else, reproduced, or used for manufacturing purposes without the express written permission of Krisry International Inc.</p>			
DRAWING TITLE CORNER CASTING (LOWER)							REV
DRAWING NUMBER BLR 20000							DWG SIZE C

KRISRY INTERNATIONAL INC.
(847) 487-4907 - phone
1000 N. Rand Road, Suite 117
Wauconda, Illinois 60084