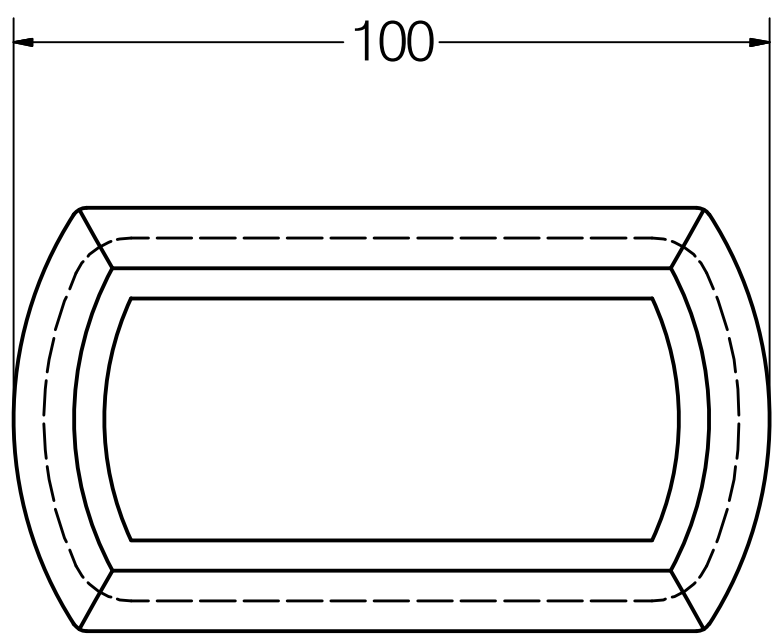
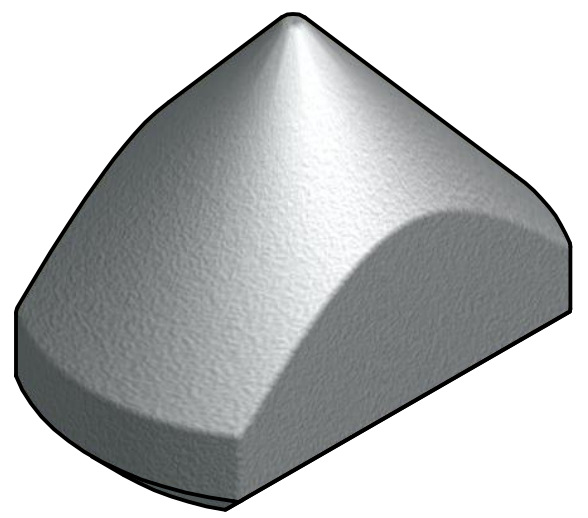
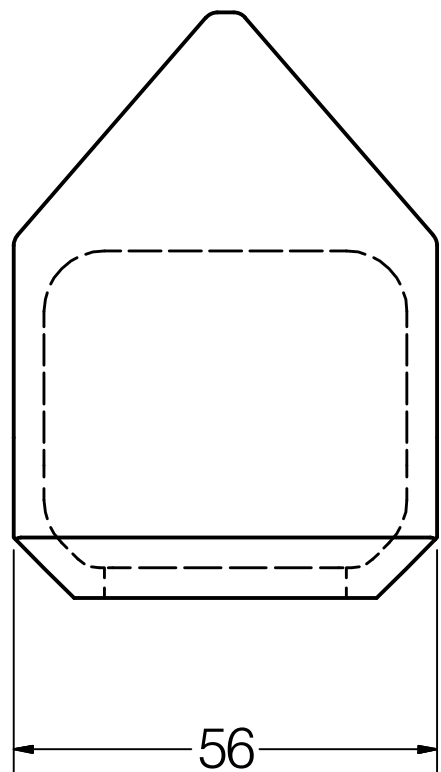
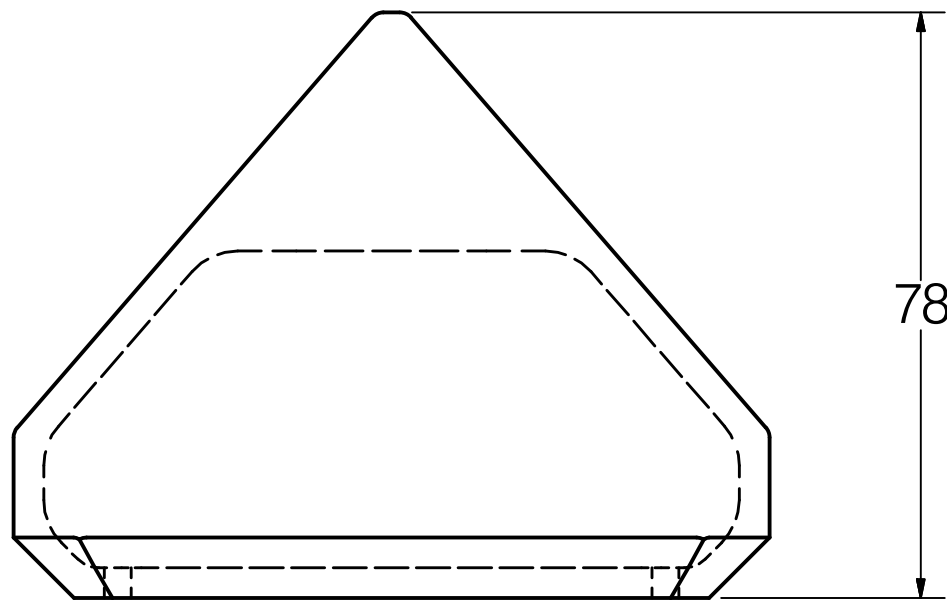


5		6		7		8	
DCN, ECN, ECR	LOCATION	REV	BY - CHK -	DATE	DATE	REMARKS	
-	-	-	-	-	-		



<input type="checkbox"/> CC	FEATURES LABELED AS SUCH SHALL REQUIRE STATISTICAL PROCESS CONTROL
<input type="checkbox"/> SC	FEATURES LABELED AS SUCH REQUIRE REFERENCE TO A CONTROL PLAN

SHEET	INITIALS	DR. JMB	CK. -	ENGR. -	MFG. -	QUAL. -	MATL. -
1 OF 1	DATE	1/5/2011					

COUNTRY OF ORIGIN	3RD ANGLE 	DO NOT SCALE	 KRISRY INTERNATIONAL, INC. 1000 N. Rand Rd. Suite 117 Wauconda, IL 60084 (847) 487-4907
UNITS MILLIMETERS	PROJECTION	PLOT SCALE 1:1 DRAWING SCALE NTS	

**GEOMETRIC TOLERANCE SYMBOLS**

CONCENTRICITY	POSITION	PERPENDICULARITY
SYMMETRICAL	CIRCULARITY	STRAIGHTNESS
PARALLELISM	CYLINDRICITY	ANGULARITY
FLATNESS	TOTAL RUNOUT	CIRCULAR RUNOUT
MOST MATERIAL CONDITION	PROFILE OF A LINE	BASIC DIMENSION
PROFILE OF A SURFACE	DATUM	
LEAST MATERIAL CONDITION		
REGARDLESS OF FEATURE SIZE		

This drawing is the property of Krisry International. It is furnished to you for confidential information purposes only. It is not to be disclosed to anyone else, reproduced, or used for manufacturing purposes without the express written permission of Krisry International.

DRAWING TITLE	LOCATING CONE	REV
DRAWING NUMBER	BLR4175	DWG SIZE
		B