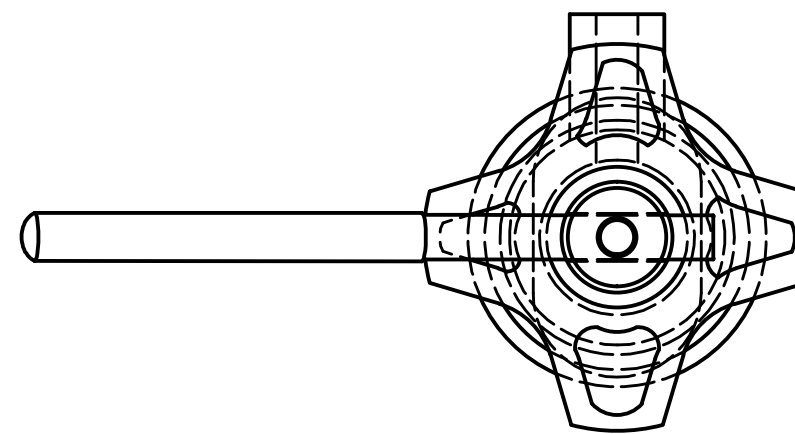
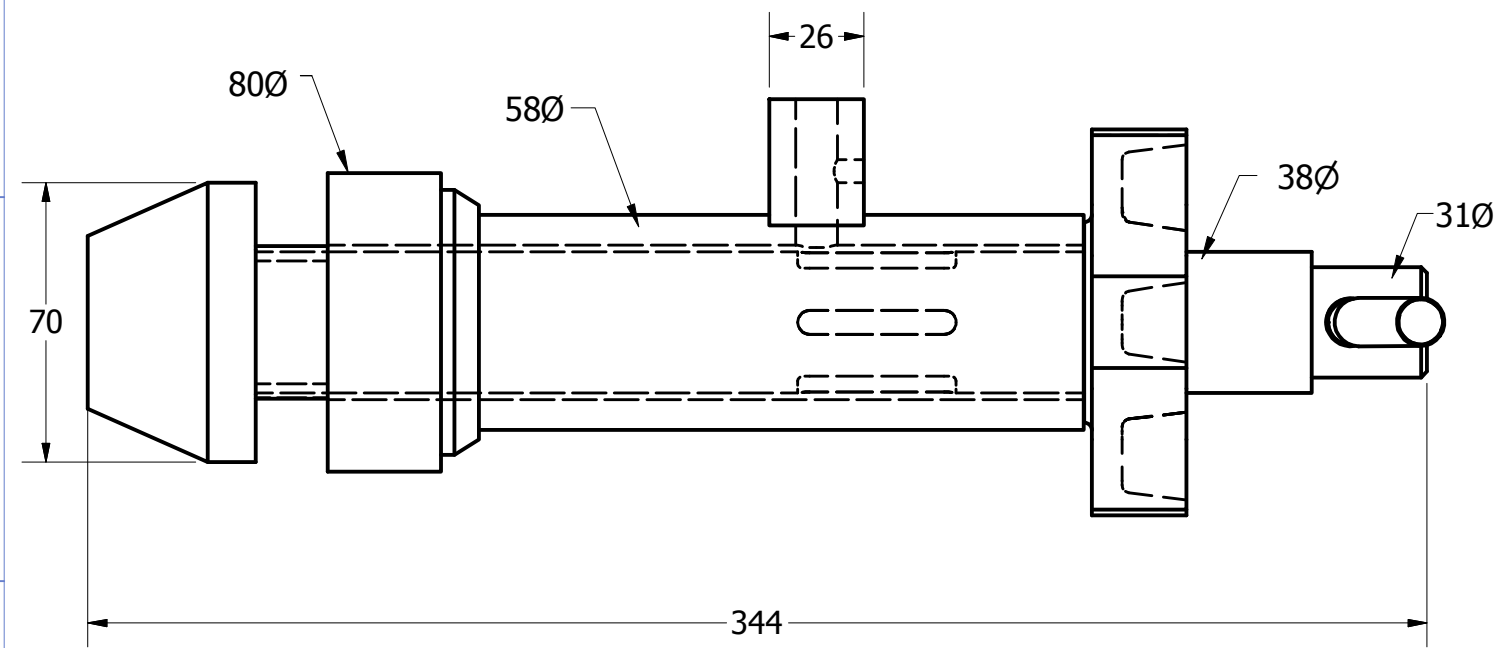
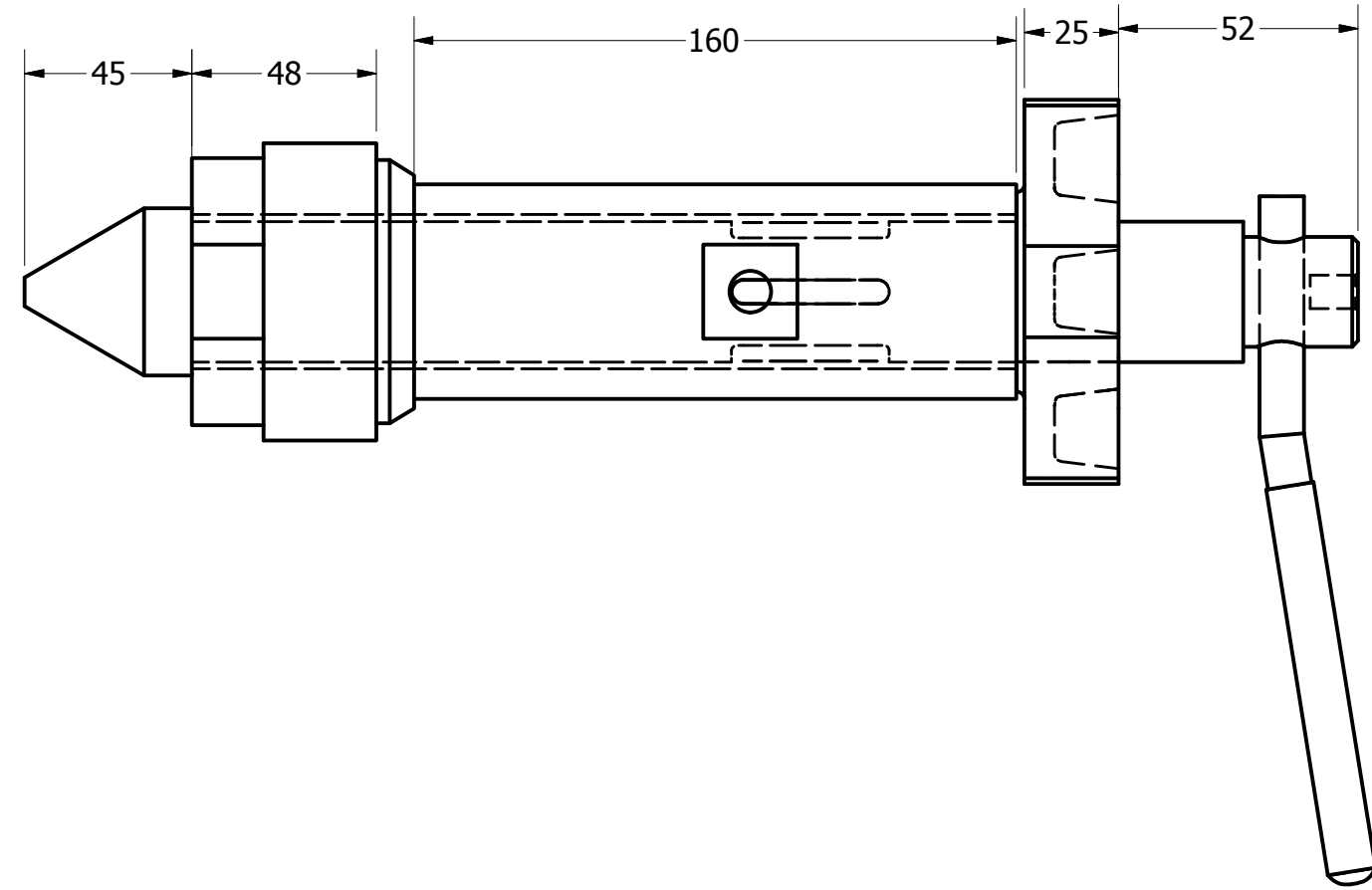


DCN, ECN, ECR	LOCATION	REV	BY	DATE	REMARKS
-	-	-	CHK	-	REMARKS



CC	FEATURES LABELED AS SUCH SHALL REQUIRE STATISTICAL PROCESS CONTROL
SC	FEATURES LABELED AS SUCH REQUIRE REFERENCE TO A CONTROL PLAN

SHEET	INITIALS	DR.	CK.	ENGR.	MFG.	QUAL.	MATL.
10F1							
DATE	06/27/09	06/27/09	06/27/09	06/27/09	06/27/09	06/27/09	06/27/09

COUNTRY OF ORIGIN	3RD ANGLE	DO NOT SCALE	 KRISRY INTERNATIONAL INC. (847) 487-4907 - phone 1000 N. Rand Road, Suite 117 Wauconda, Illinois 60084
U.S.A.			
UNITS	PROJECTION	PLOT SCALE 1:1	This drawing is the property of Krisry International Inc. It is furnished to you for confidential information purposes only. It is not to be disclosed to anyone else, reproduced, or used for manufacturing purposes without the express written permission of Krisry International Inc.
UNITS		DRAWING SCALE 1:1	

GEOMETRIC TOLERANCE SYMBOLS ○ CONCENTRICITY ⊕ POSITION ⊥ PERPENDICULARITY ≡ SYMMETRICAL ○ CIRCULARITY — STRAIGHTNESS // PARALLELISM ⊘ CYLINDRICITY ∠ ANGULARITY / FLATNESS / TOTAL RUNOUT / CIRCULAR RUNOUT ⊙ MOST MATERIAL CONDITION / PROFILE OF A LINE △ PROFILE OF A SURFACE □ BASIC DIMENSION ⊖ LEAST MATERIAL CONDITION □ DATUM ⊕ REGARDLESS OF FEATURE SIZE		DRAWING TITLE SCREW DOWN LOCK	REV
PATH PATH & FILENAME		DRAWING NUMBER BLR 4322	DWG SIZE