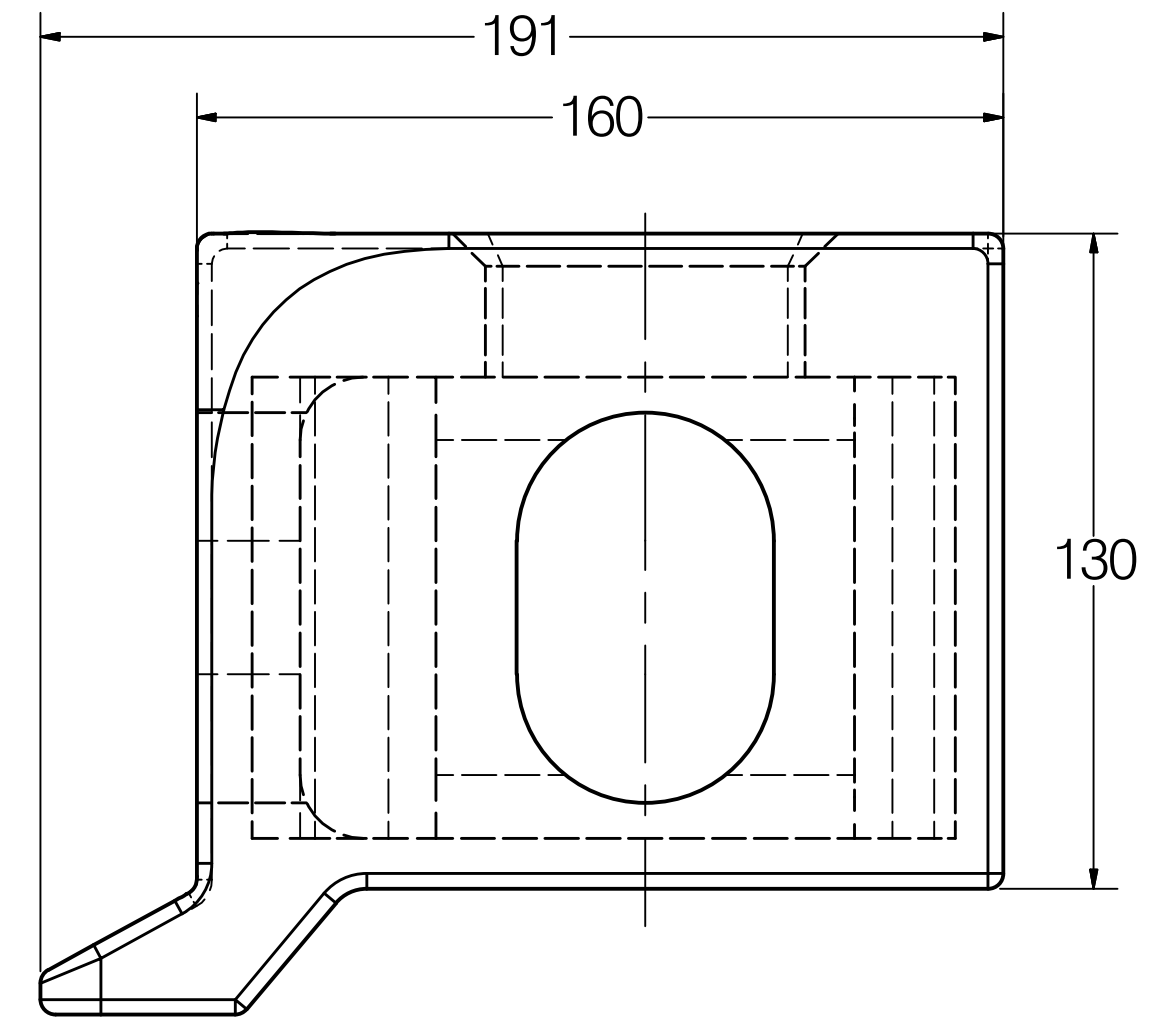
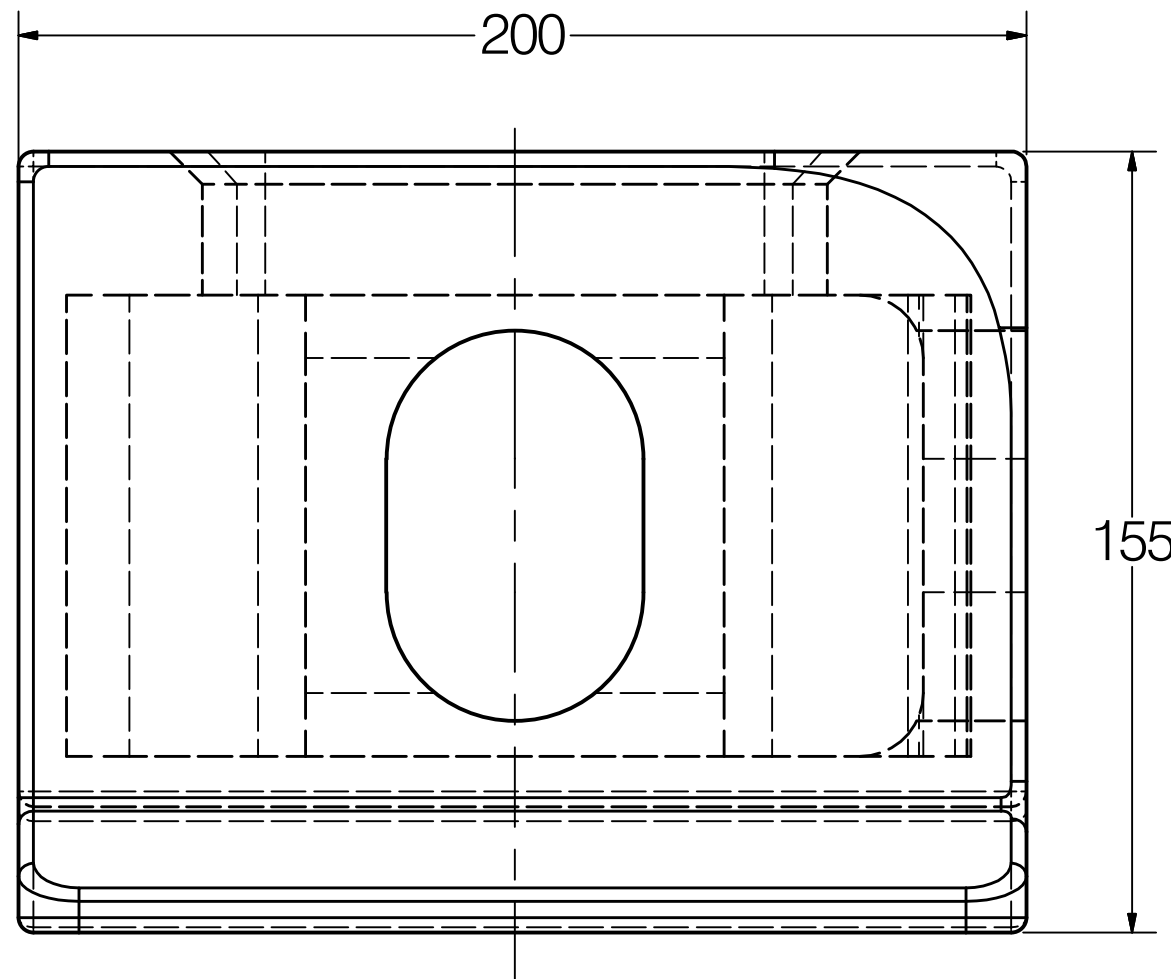
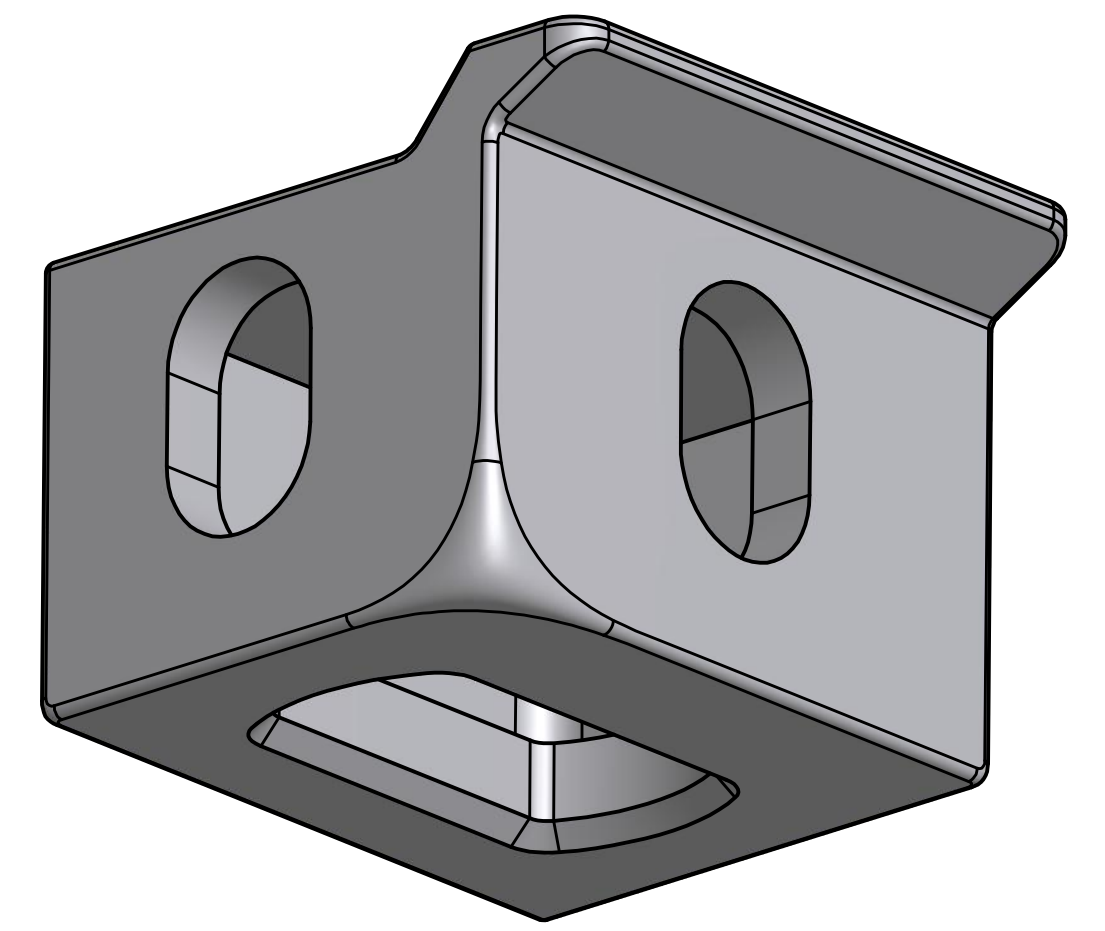
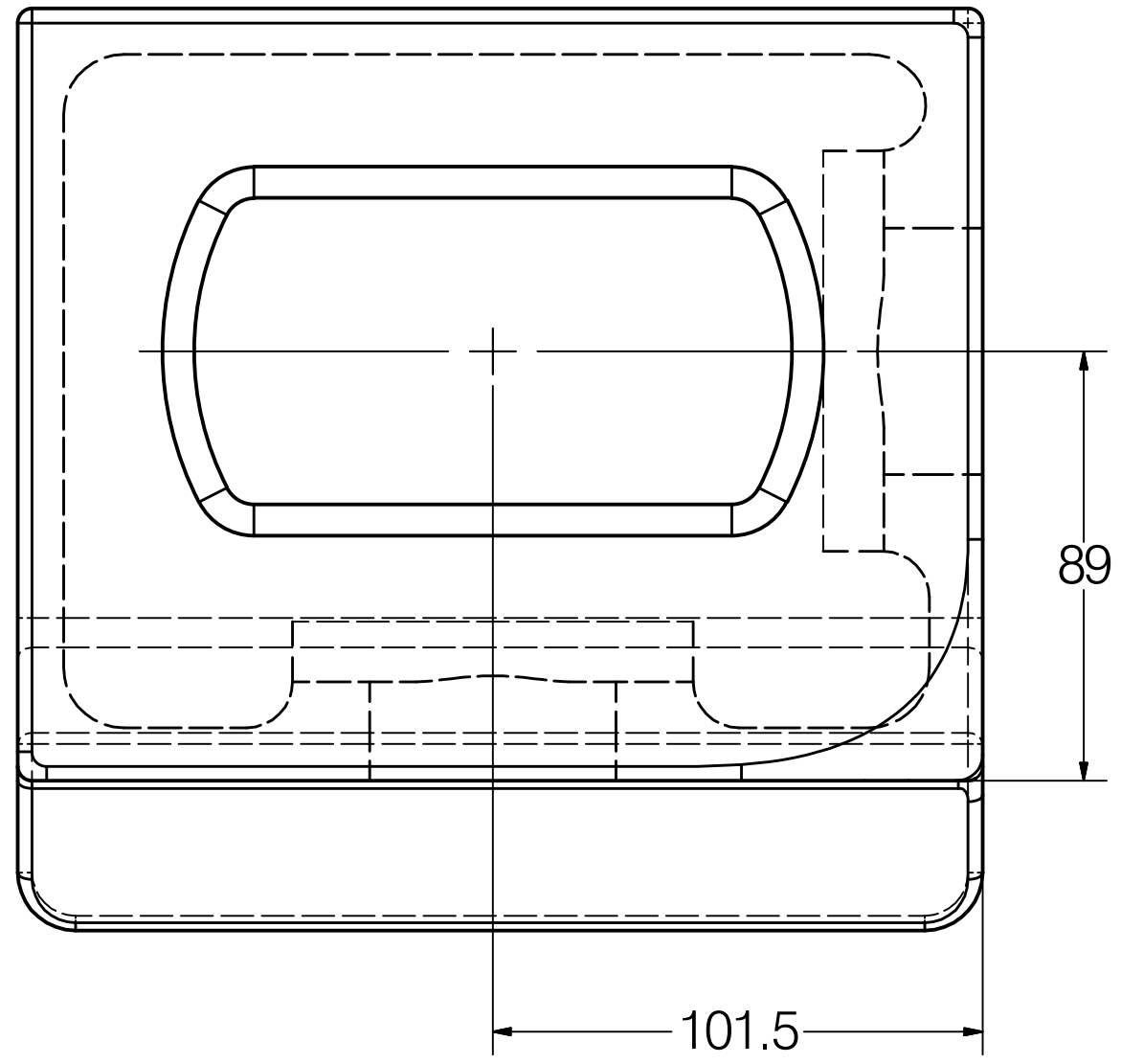


DCN.	ECN.	ECR	8	LOCATION	REV	BY	DATE	REMARKS	10	11
-	-	-	-	-	-	-	-	-	-	-



RH SHOWN (LH OPPOSITE)

CC	FEATURES LABELED AS SUCH SHALL REQUIRE STATISTICAL PROCESS CONTROL
SC	FEATURES LABELED AS SUCH REQUIRE REFERENCE TO A CONTROL PLAN

SHEET 1 OF 1	INITIALS JMB	DR.	DATE 3/29/2011	CK.	ENGR.	MFG.	QUAL.	MATL.	
COUNTRY OF ORIGIN		3RD ANGLE PROJECTION	DO NOT SCALE PLOT SCALE 1:1 DRAWING SCALE NTS	KRISRY INTERNATIONAL, INC. 1000 N. Rand Rd. Suite 117 Wauconda, IL 60084 (847) 487-4907					
UNITS MILLIMETERS		GEOMETRIC TOLERANCE SYMBOLS CONCENTRICITY POSITION PERPENDICULARITY SYMMETRICAL CIRCULARITY STRAIGHTNESS PARALLELISM CIRCULARITY ANGULARITY FLATNESS TOTAL RUNOUT CIRCULAR RUNOUT MOST MATERIAL CONDITION PROFILE OF A LINE PROFILE OF A SURFACE BASIC DIMENSION LEAST MATERIAL CONDITION DATUM REGARDLESS OF FEATURE SIZE PATH			This drawing is the property of Krisry International Inc. It is furnished to you for confidential information purposes only. It is not to be disclosed to anyone else, reproduced, or used for manufacturing purposes without the express written permission of Krisry International Inc.				
DRAWING TITLE EUROPEAN OVERLAND CORNER								REV	
DRAWING NUMBER BLR607								DWG SIZE C	