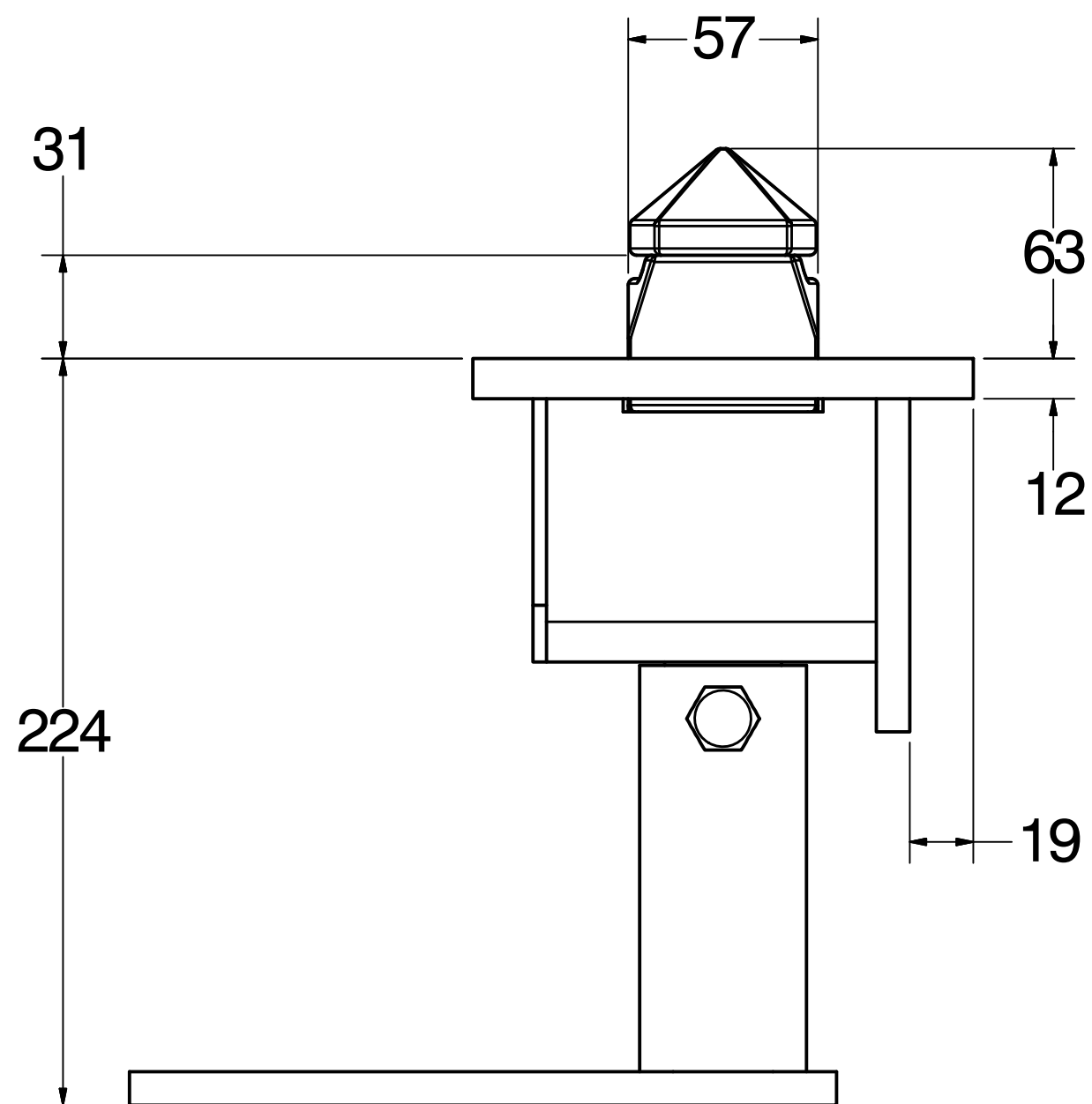
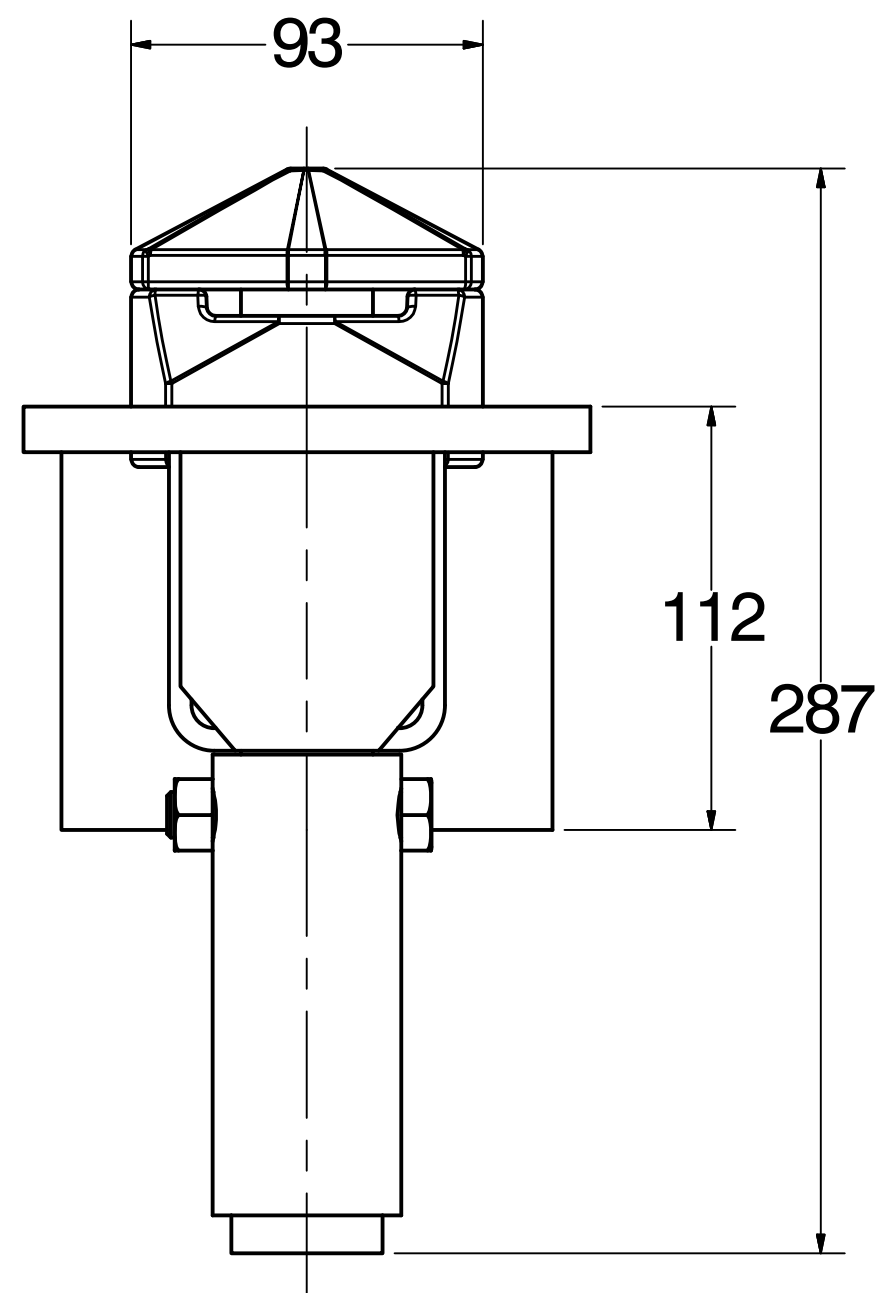
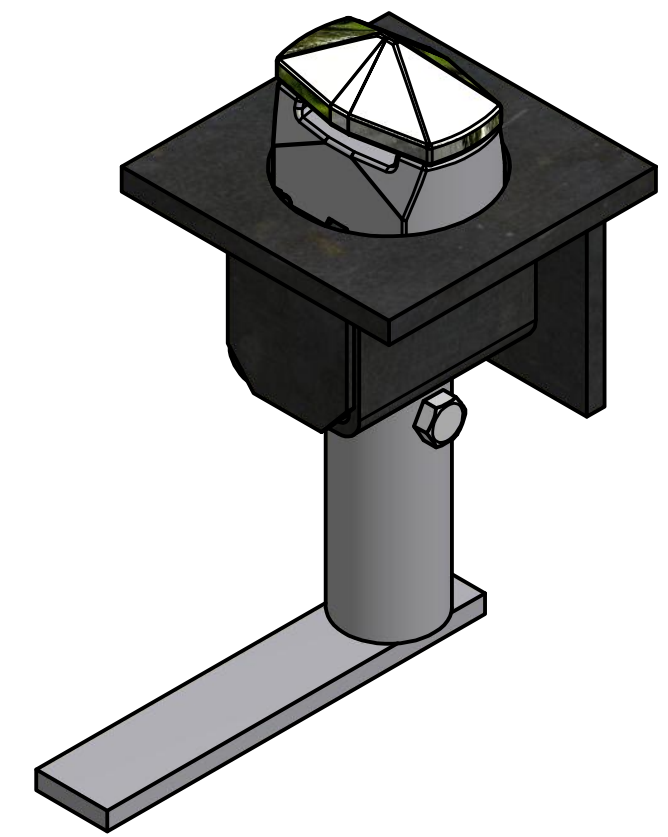
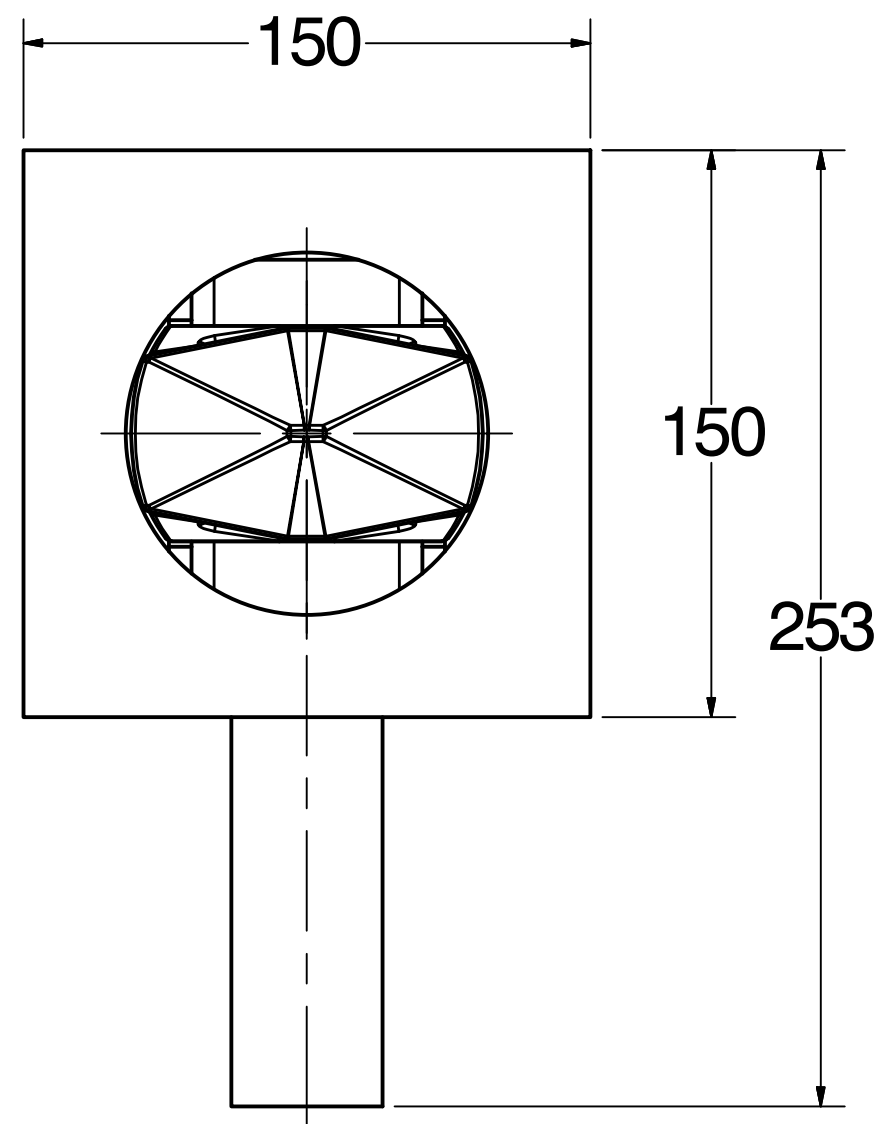



DCN. ECN. ECR	LOCATION	REV	BY	DATE	REMARKS
-	-	-	CHK	-	REMARKS



CC	FEATURES LABELED AS SUCH SHALL REQUIRE STATISTICAL PROCESS CONTROL
SC	FEATURES LABELED AS SUCH REQUIRE REFERENCE TO A CONTROL PLAN

SHEET	INITIALS	DR.	JMB	CK.	-	ENGR.	-	MFG.	-	QUAL.	-	MATL.	-
1 OF 1	DATE	10/28/10											
COUNTRY OF ORIGIN		3RD ANGLE		DO NOT SCALE		 KRISRY INTERNATIONAL INC. (847) 487-4907 - phone 1000 N. Rand Road, Suite 117 Wauconda, Illinois 60084							
UNITS		PROJECTION		PLOT SCALE 1:1									
MILLIMETERS				DRAWING SCALE NTS		This drawing is the property of Krisry International Inc. It is furnished to you for confidential information purposes only. It is not to be disclosed to anyone else, reproduced, or used for manufacturing purposes without the express written permission of Krisry International Inc.							
GEOMETRIC TOLERANCE SYMBOLS													
CONCENTRICITY SYMMETRICAL PARALLELISM FLATNESS PROFILE OF A SURFACE LEAST MATERIAL CONDITION REGARDLESS OF FEATURE SIZE PATH			POSITION CIRCULARITY CYLINDRICITY TOTAL RUNOUT BASIC DIMENSION DATUM			PERPENDICULARITY STRAIGHTNESS ANGULARITY CIRCULAR RUNOUT PROFILE OF A LINE			DRAWING TITLE TWISTLOCK ASSEMBLY				
						DRAWING NUMBER KRY 102			REV C				