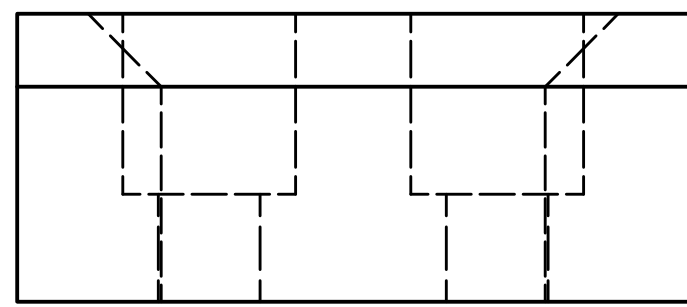
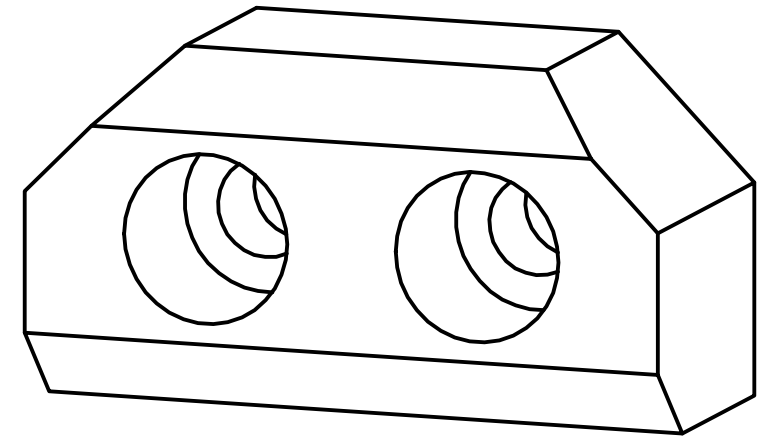
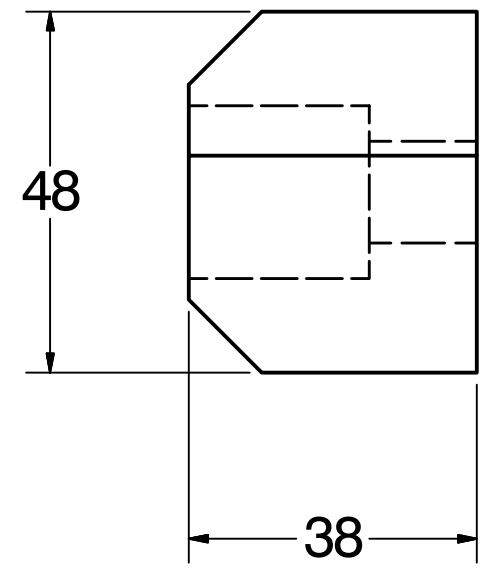
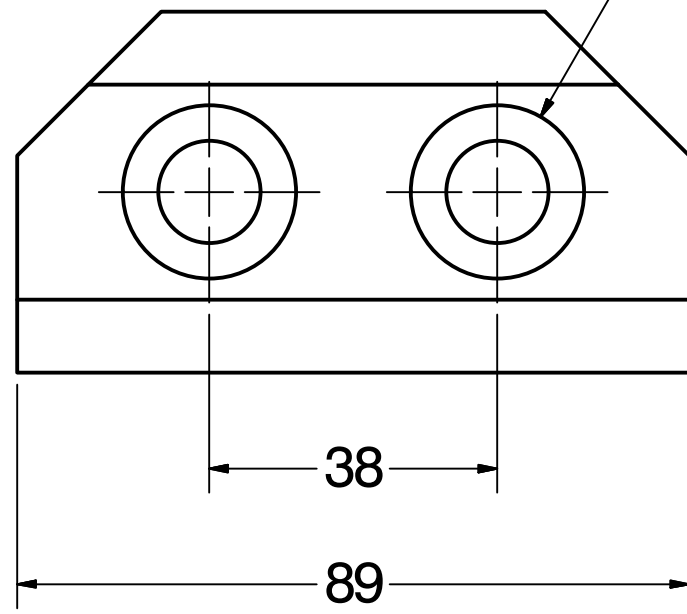


5	6	7	8
DCN, ECN, ECR	LOCATION	REV	BY
-	-	-	-
		CHK	DATE
			REMARKS

Ø13 THRU
 └─┬─┘ Ø23 ∇ 24
 TYP.(2)



<input type="checkbox"/> CC	FEATURES LABELED AS SUCH SHALL REQUIRE STATISTICAL PROCESS CONTROL
<input type="checkbox"/> SC	FEATURES LABELED AS SUCH REQUIRE REFERENCE TO A CONTROL PLAN

SHEET	INITIALS	DR. JMB	CK. -	ENGR. -	MFG. -	QUAL. -	MATL. -
	DATE	07/21/10					

COUNTRY OF ORIGIN	3RD ANGLE 	DO NOT SCALE	 KRISRY INTERNATIONAL INC. (847) 487-4907 - phone 1000 N. Rand Road, Suite 117 Wauconda, Illinois 60084
UNITS MILLIMETERS	PROJECTION	PLOT SCALE 1:1 DRAWING SCALE NTS	

GEOMETRIC TOLERANCE SYMBOLS		
CONCENTRICITY	POSITION	PERPENDICULARITY
SYMMETRICAL	CIRCULARITY	STRAIGHTNESS
PARALLELISM	CYLINDRICITY	ANGULARITY
FLATNESS	TOTAL RUNOUT	CIRCULAR RUNOUT
MOST MATERIAL CONDITION	PROFILE OF A LINE	BASIC DIMENSION
PROFILE OF A SURFACE	DATUM	
LEAST MATERIAL CONDITION		
REGARDLESS OF FEATURE SIZE		

This drawing is the property of Krisry International. It is furnished to you for confidential information purposes only. It is not to be disclosed to anyone else, reproduced, or used for manufacturing purposes without the express written permission of Krisry International.

DRAWING TITLE	WEAR PART	REV
DRAWING NUMBER	KRY1053	DWG SIZE
		B