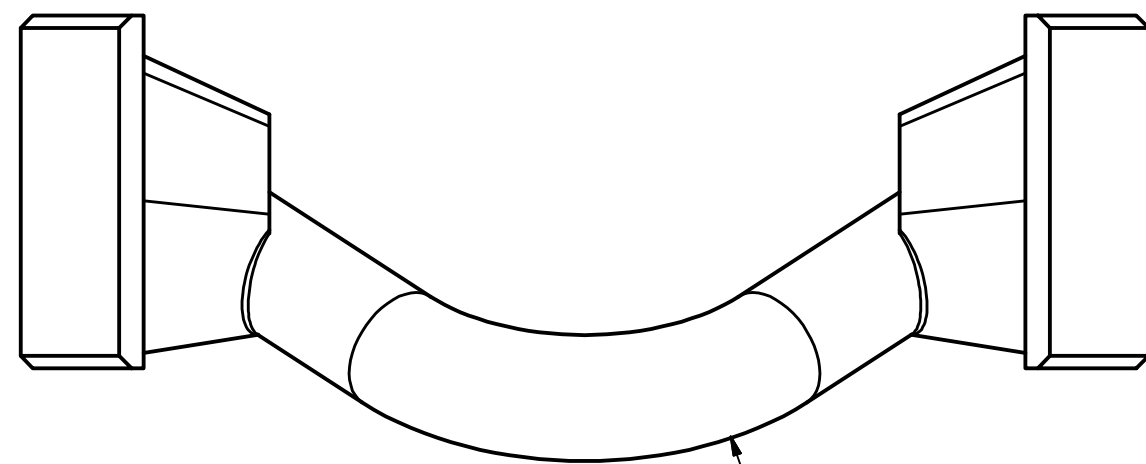
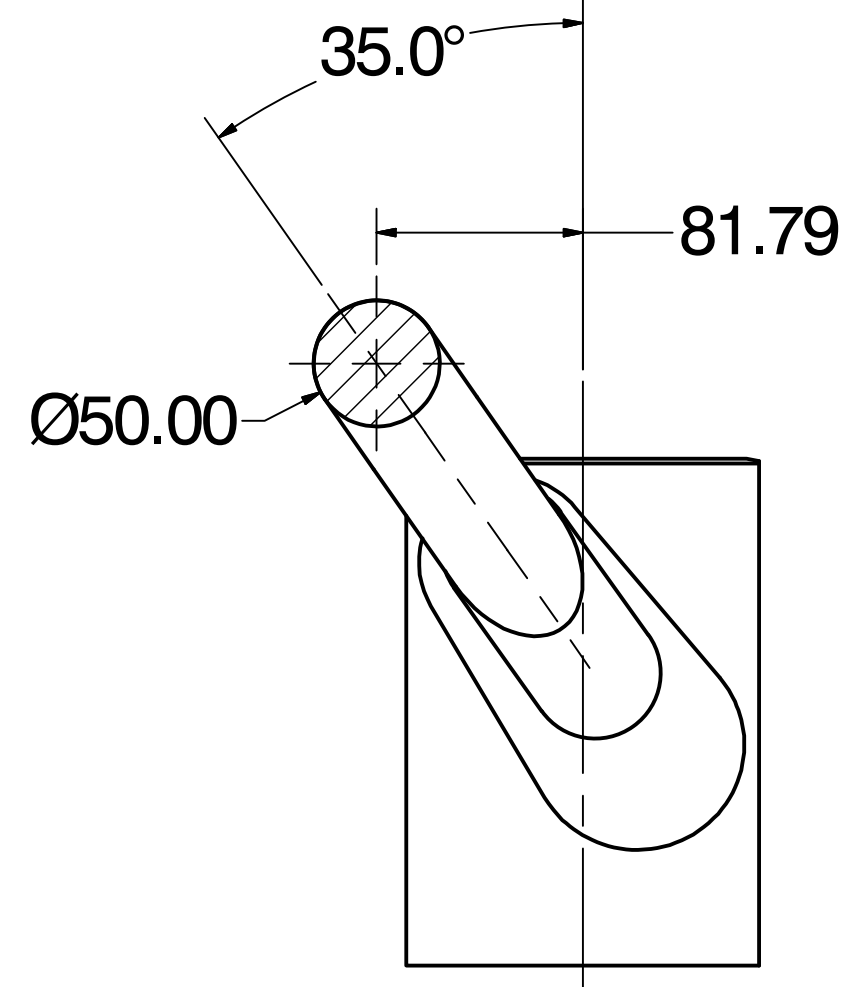
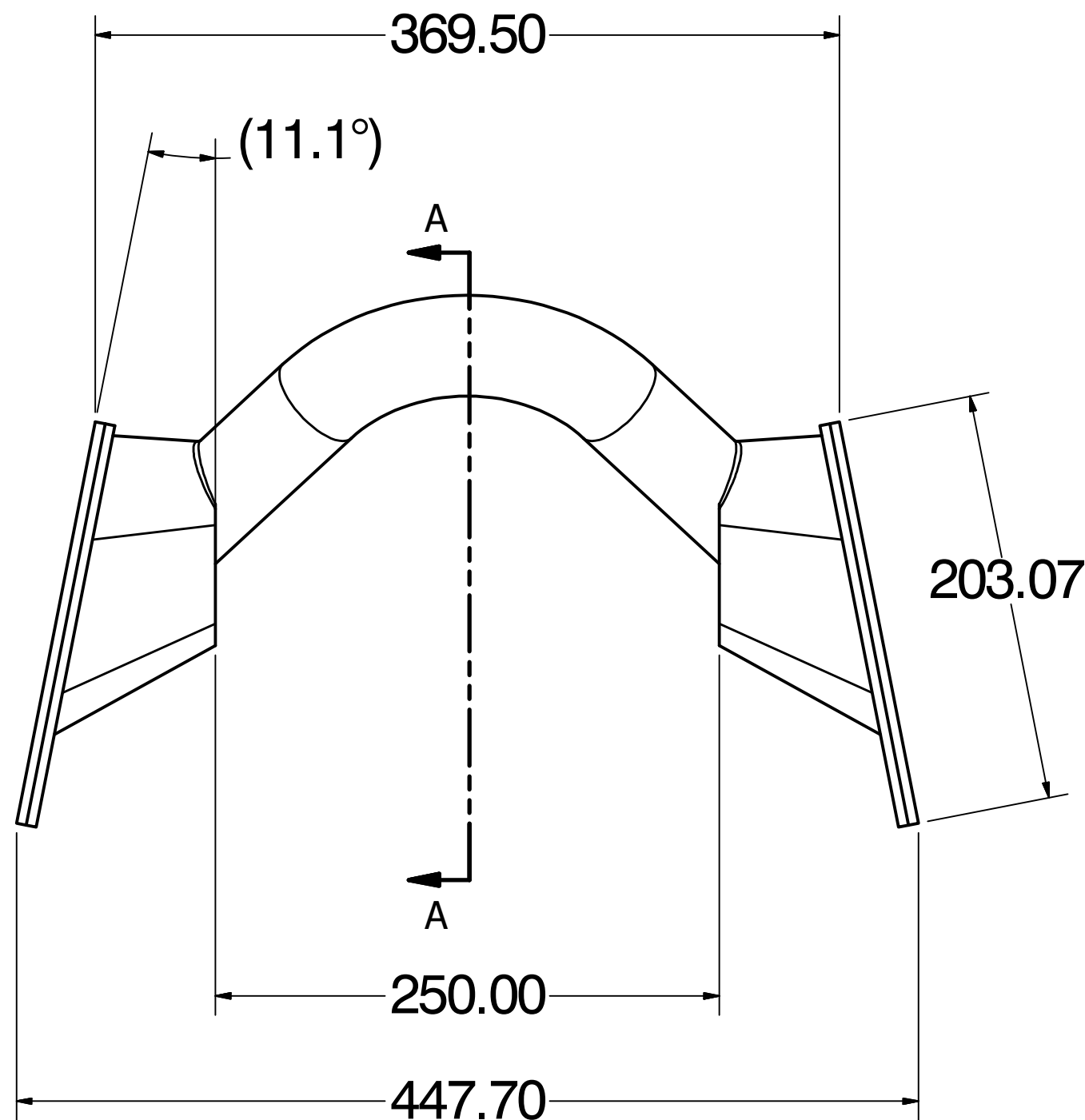
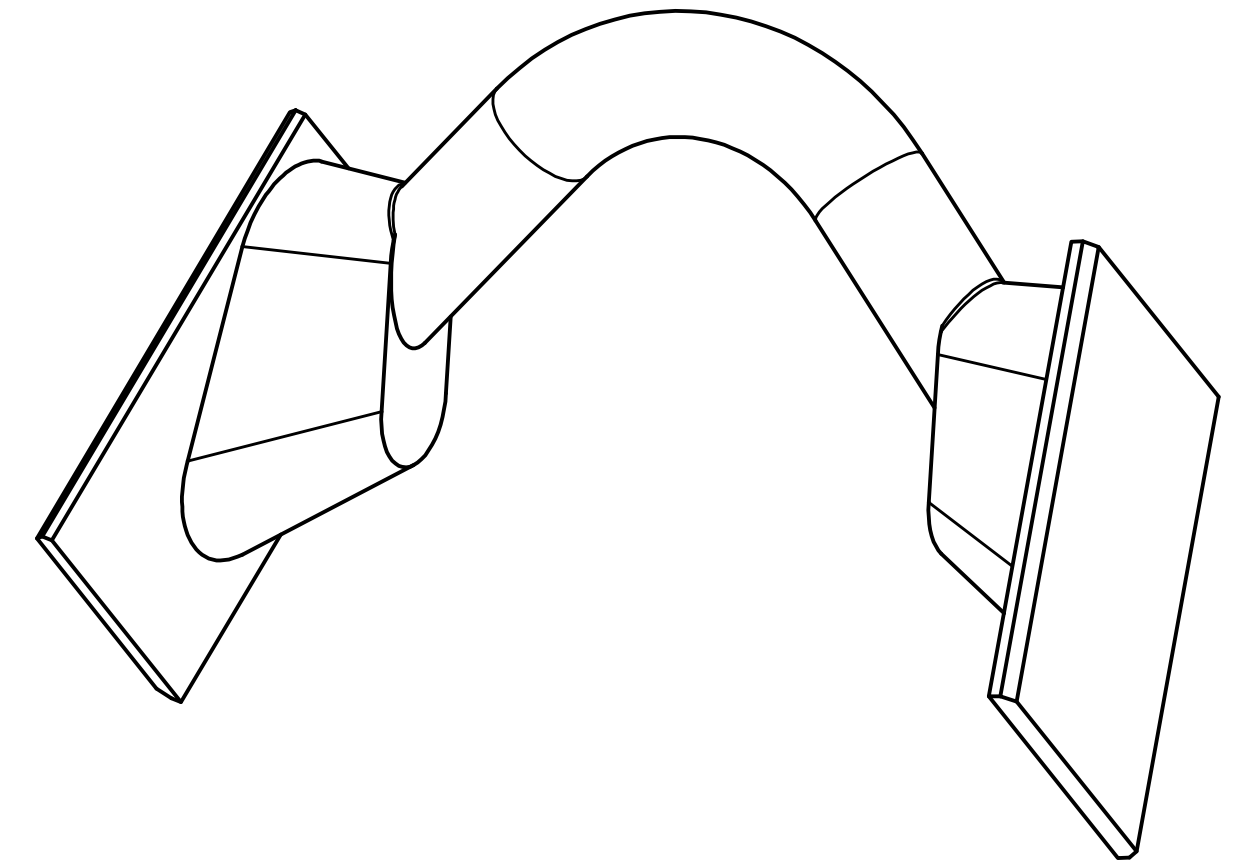


DCN. ECN. ECR	LOCATION	REV	BY	DATE	REMARKS
-	-	-	CHK	-	REMARKS



R178.72



SECTION A-A

CC	FEATURES LABELED AS SUCH SHALL REQUIRE STATISTICAL PROCESS CONTROL
SC	FEATURES LABELED AS SUCH REQUIRE REFERENCE TO A CONTROL PLAN

SHEET 1 OF 1	INITIALS DATE	DR. 07/01/10	CK. -	ENGR. -	MFG. -	QUAL. -	MATL. -
COUNTRY OF ORIGIN	UNITS MILLIMETERS	3RD ANGLE PROJECTION	DO NOT SCALE PLOT SCALE 1:1 DRAWING SCALE NTS				
<p>GEOMETRIC TOLERANCE SYMBOLS</p> <ul style="list-style-type: none"> CONCENTRICITY SYMMETRICAL PARALLELISM FLATNESS MOST MATERIAL CONDITION PROFILE OF A SURFACE LEAST MATERIAL CONDITION REGARDLESS OF FEATURE SIZE PATH POSITION CIRCULARITY CYLINDRICITY TOTAL RUNOUT PERPENDICULARITY STRAIGHTNESS ANGULARITY CIRCULAR RUNOUT PROFILE OF A LINE BASIC DIMENSION DATUM 				<p>This drawing is the property of Krisry International Inc. It is furnished to you for confidential information purposes only. It is not to be disclosed to anyone else, reproduced, or used for manufacturing purposes without the express written permission of Krisry International Inc.</p>			
DRAWING TITLE BAIL BAR							REV
DRAWING NUMBER KRY1060							DWG SIZE C