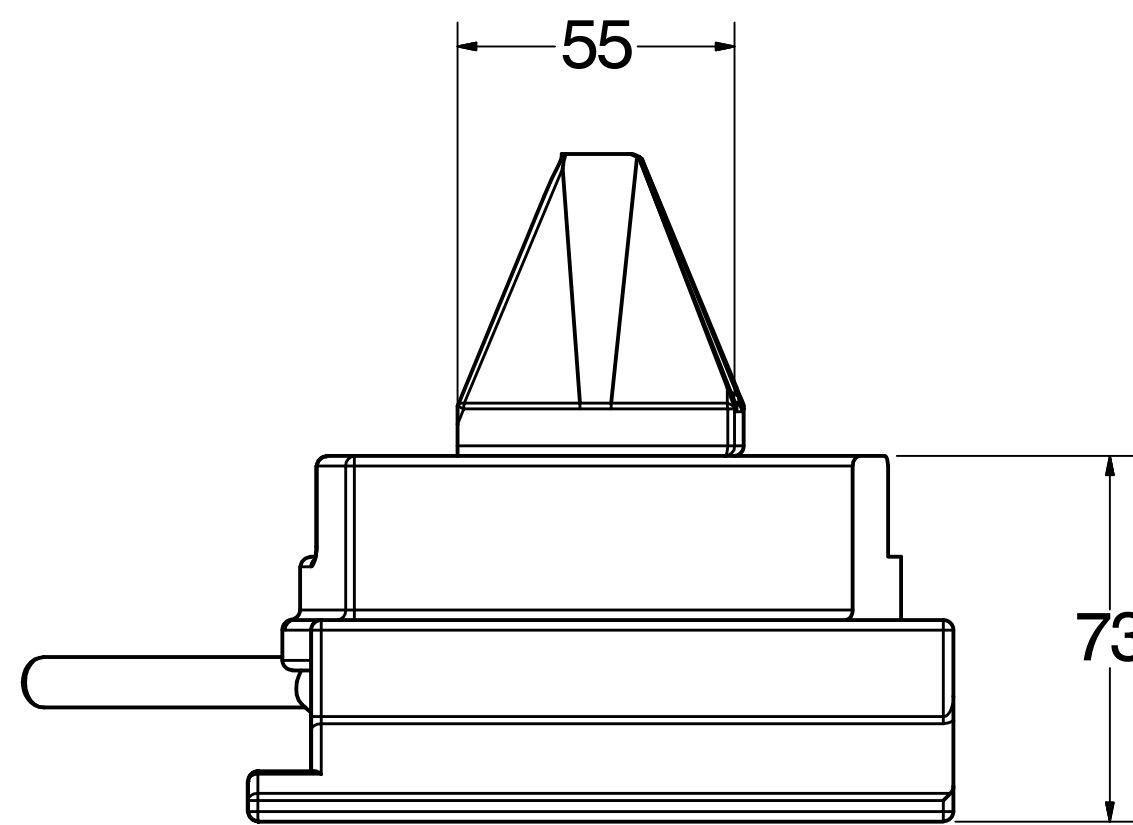
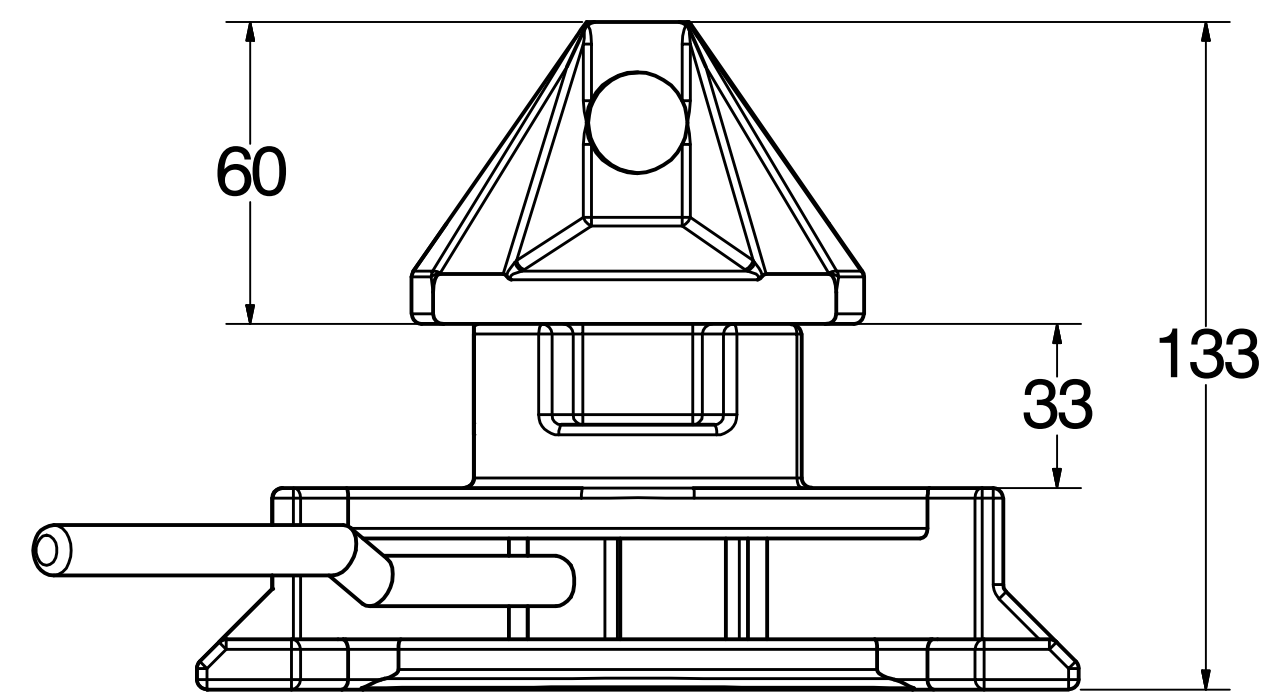
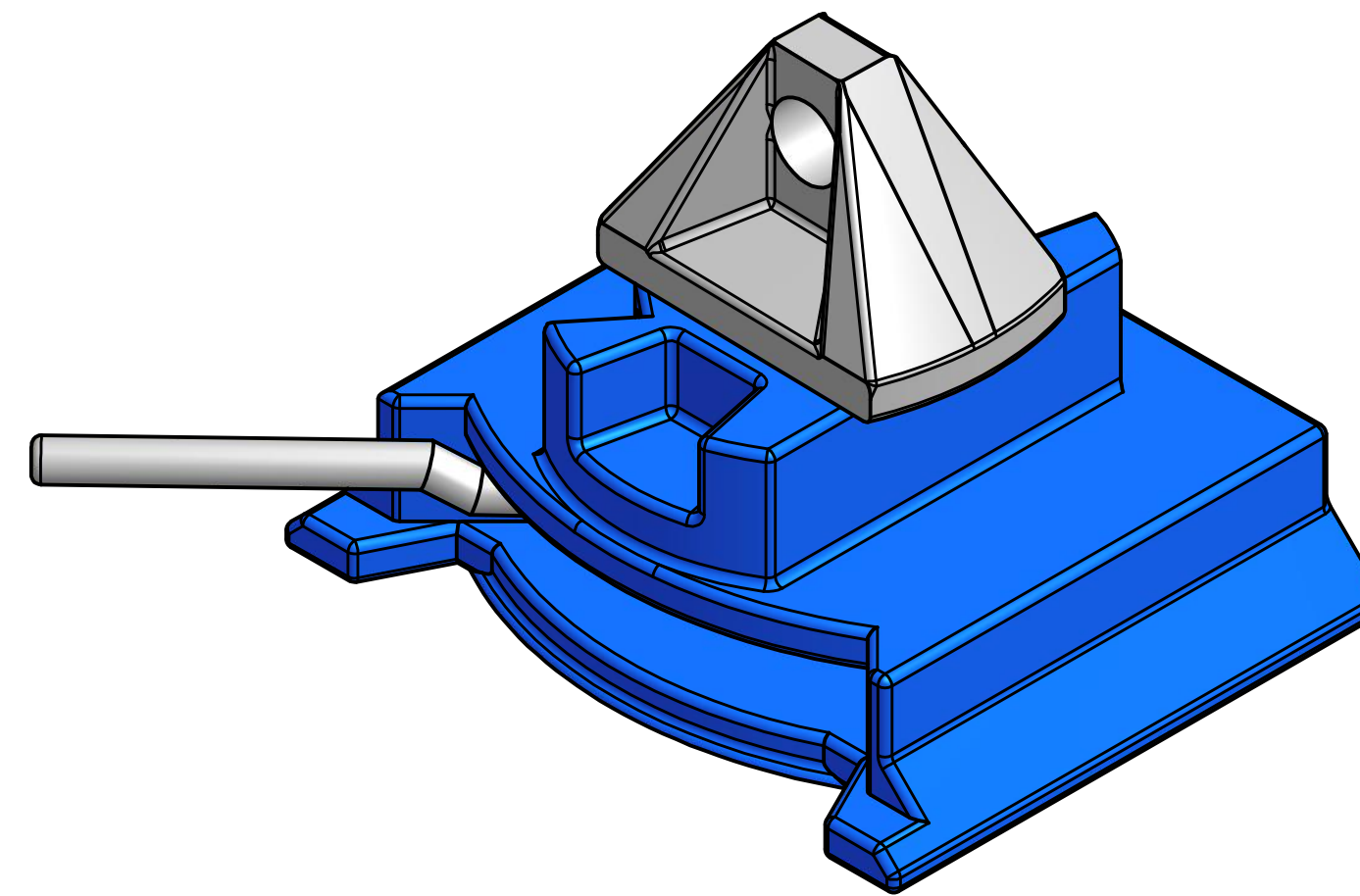
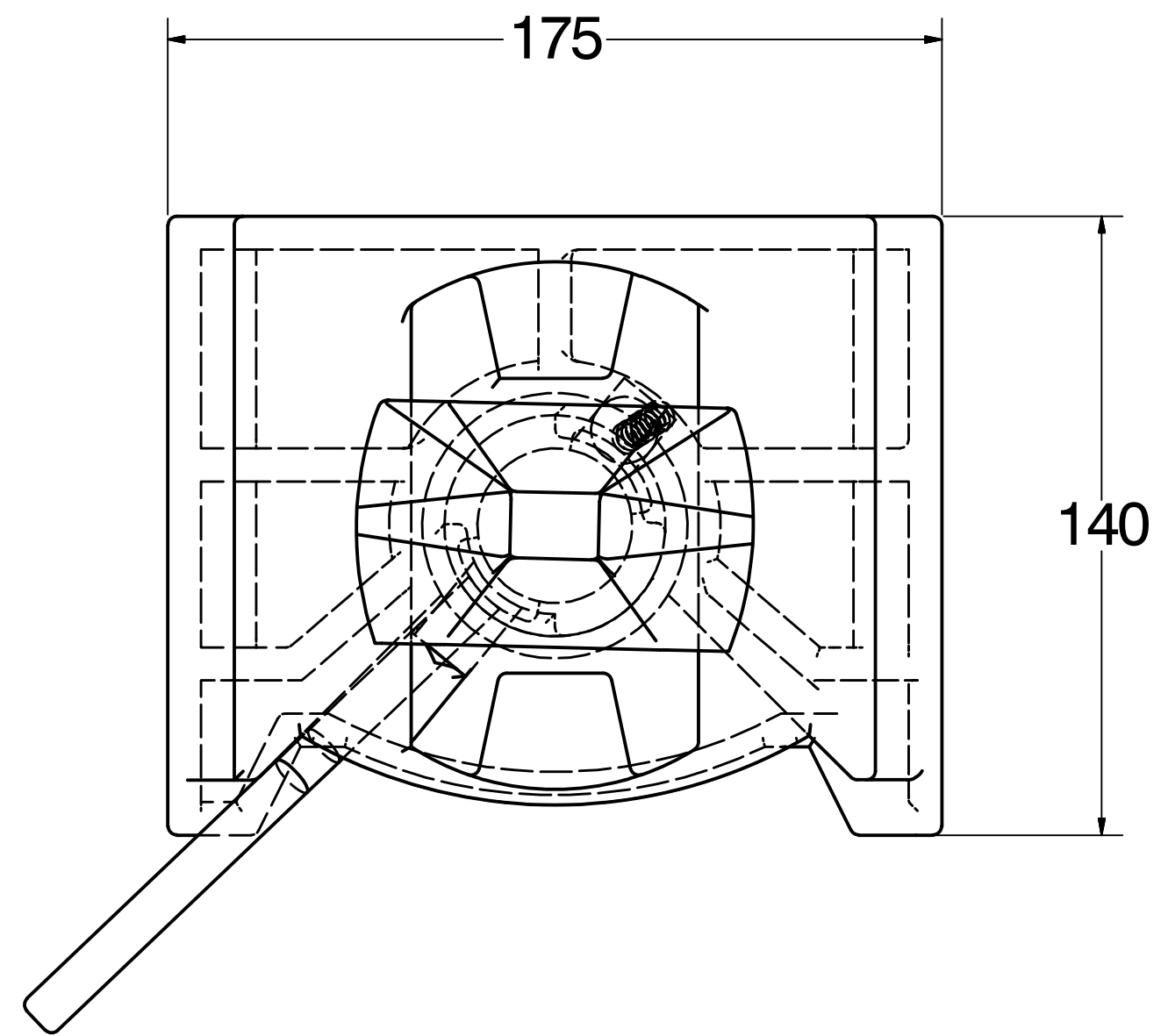


DCN, ECN, ECR	LOCATION	REV	BY	DATE	REMARKS
-	-	-	CHK	-	REMARKS



CC	FEATURES LABELED AS SUCH SHALL REQUIRE STATISTICAL PROCESS CONTROL
SC	FEATURES LABELED AS SUCH REQUIRE REFERENCE TO A CONTROL PLAN

SHEET 1 of 1	INITIALS EDC	DR.	CK.	ENGR.	MFG.	QUAL.	MATL.
DATE 6/12/2013							
COUNTRY OF ORIGIN	3RD ANGLE 	DO NOT SCALE		KRISRY INTERNATIONAL INC. (847) 487-4907 - phone 1000 N. Rand Road, Suite 117 Wauconda, Illinois 60084			
UNITS MILLIMETERS	PROJECTION	PLOT SCALE 1:1 DRAWING SCALE NTS					
GEOMETRIC TOLERANCE SYMBOLS ○ CONCENTRICITY ⊕ POSITION ⊥ PERPENDICULARITY ≡ SYMMETRICAL ○ CIRCULARITY — STRAIGHTNESS // PARALLELISM ⊘ CYLINDRICITY ∠ ANGULARITY / FLATNESS Ⓢ TOTAL RUNOUT ↗ CIRCULAR RUNOUT ⊙ MOST MATERIAL CONDITION ○ PROFILE OF A LINE △ PROFILE OF A SURFACE ⊞ BASIC DIMENSION ⊖ LEAST MATERIAL CONDITION □ DATUM ⊕ REGARDLESS OF FEATURE SIZE — PATH				This drawing is the property of Krisry International Inc. It is furnished to you for confidential information purposes only. It is not to be disclosed to anyone else, reproduced, or used for manufacturing purposes without the express written permission of Krisry International Inc.			
				KRY45 L		REV	
				DRAWING NUMBER		DWG SIZE C	