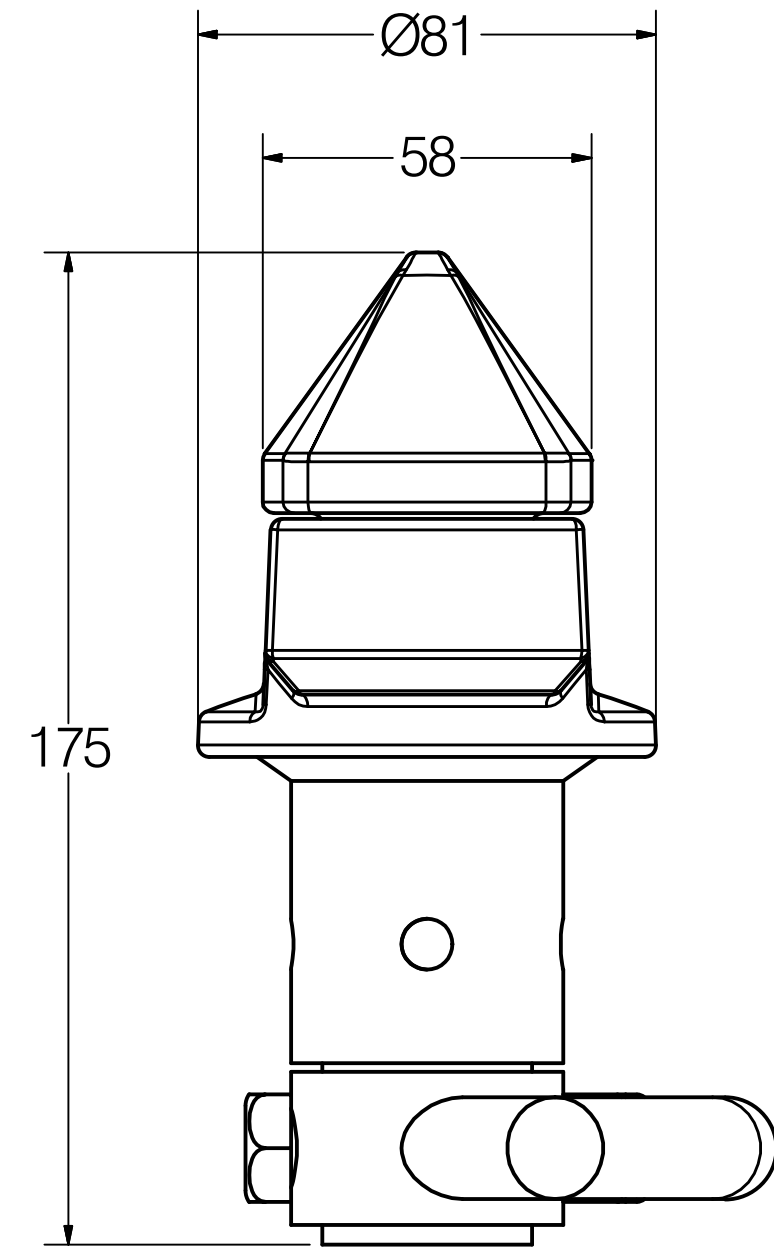
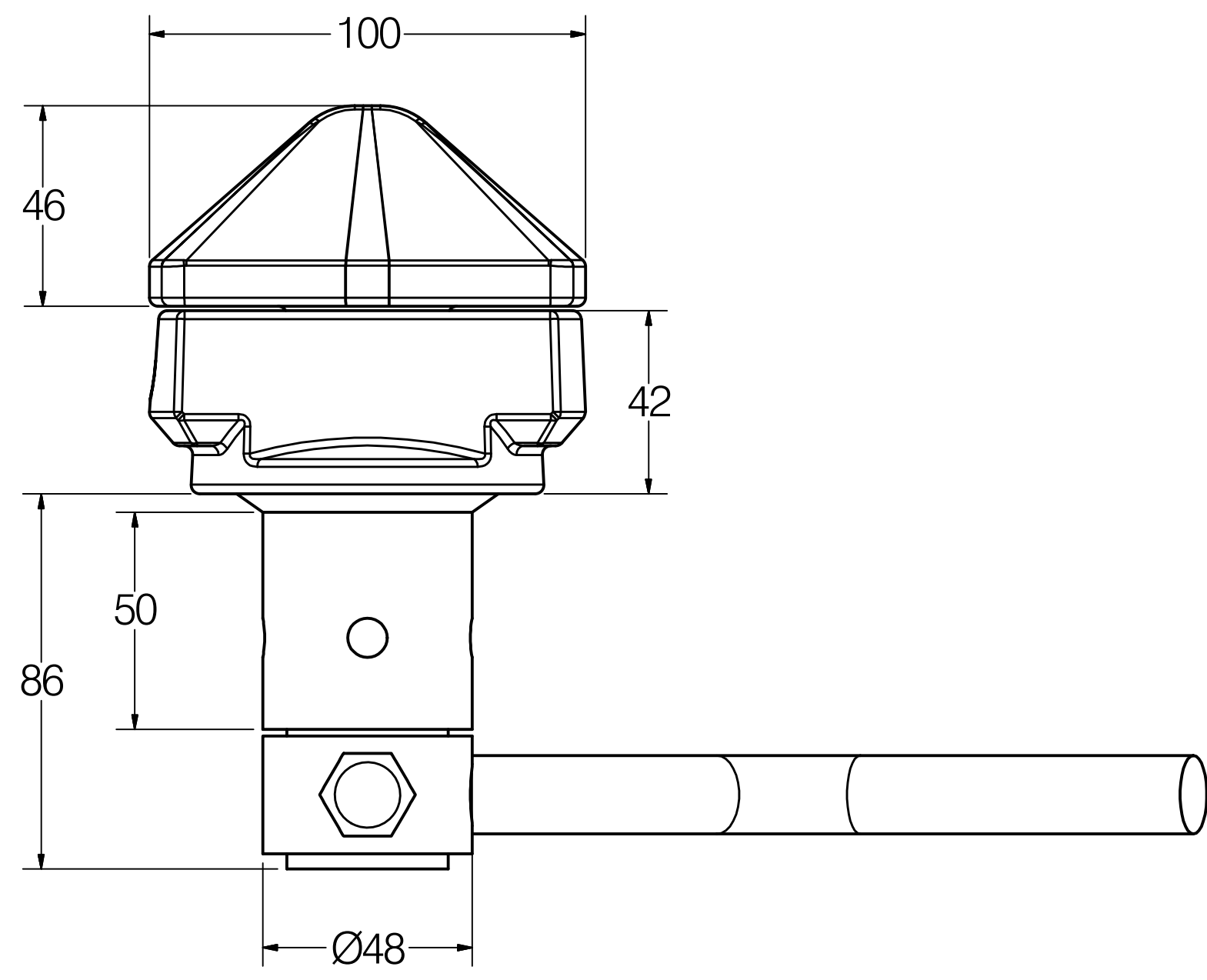
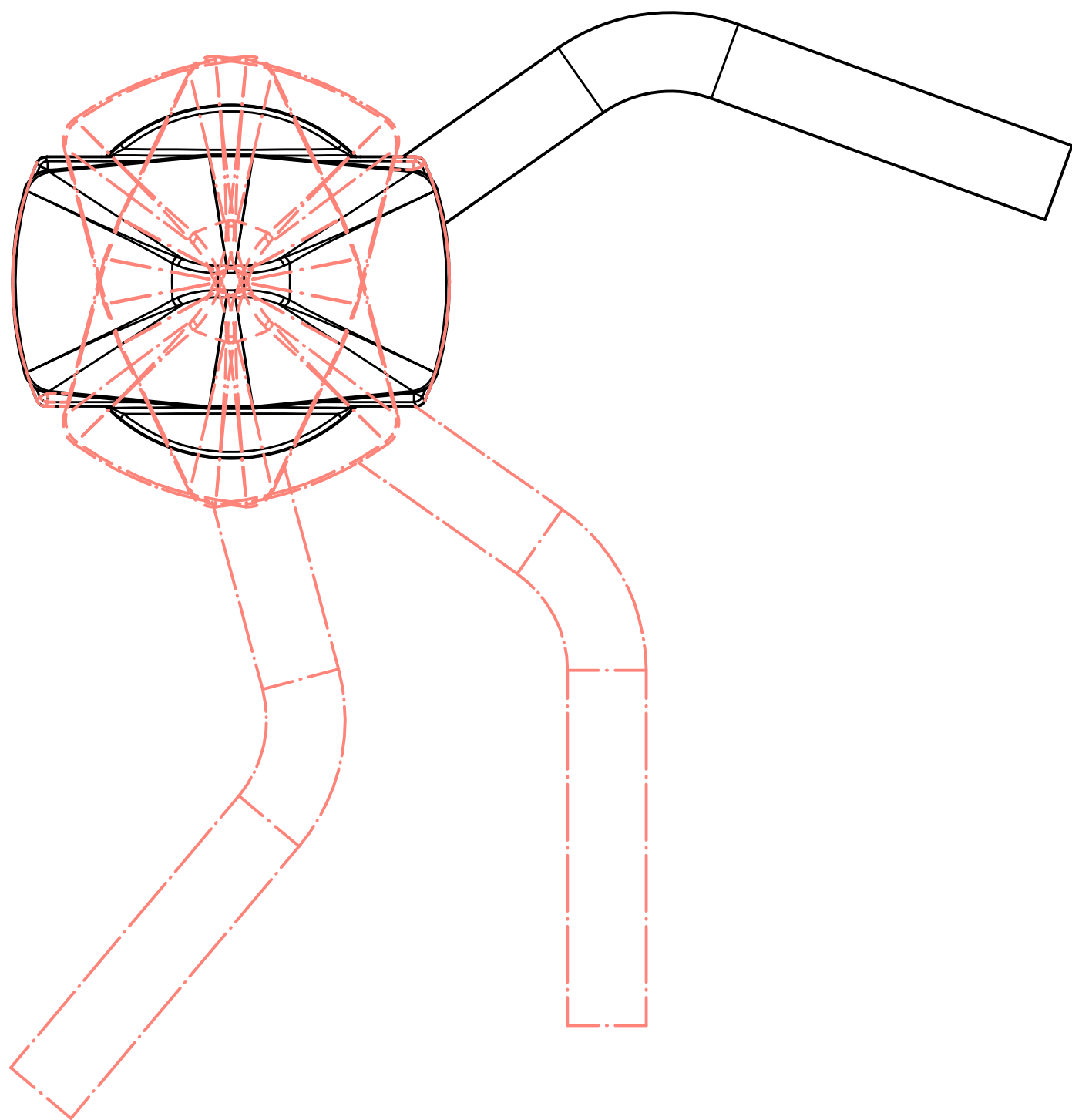


DCN. ECR. ECR	LOCATION	REV	BY	DATE	REMARKS
-	-	-	-	-	-



[CC] FEATURES LABELED AS SUCH SHALL REQUIRE STATISTICAL PROCESS CONTROL		[SC] FEATURES LABELED AS SUCH REQUIRE REFERENCE TO A CONTROL PLAN	
SHEET 1 OF 1	INITIALS JMB	DR. 3/7/2011	DATE
COUNTRY OF ORIGIN	3RD ANGLE PROJECTION	DO NOT SCALE PLOT SCALE 1:1 DRAWING SCALE NTS	KRISRY INTERNATIONAL, INC. 1000 N. Rand Rd. Suite 117 Wauconda, IL 60084 (847) 487-4907
UNITS MILLIMETERS	<b>GEOMETRIC TOLERANCE SYMBOLS</b> ○ CONCENTRICITY    ⊕ POSITION    ⊥ PERPENDICULARITY ≡ SYMMETRICAL    ○ CIRCULARITY    — STRAIGHTNESS // PARALLELISM    ⌀ CYLINDRICITY    ∠ ANGULARITY / FLATNESS    Ⓜ TOTAL RUNOUT    ↻ CIRCULAR RUNOUT ⊙ MOST MATERIAL CONDITION    Ⓢ PROFILE OF A LINE Ⓟ PROFILE OF A SURFACE    Ⓜ BASIC DIMENSION ⊖ LEAST MATERIAL CONDITION    □ DATUM ⊕ REGARDLESS OF FEATURE SIZE    — PATH		This drawing is the property of Krisry International Inc. It is furnished to you for confidential information purposes only. It is not to be disclosed to anyone else, reproduced, or used for manufacturing purposes without the express written permission of Krisry International Inc.. <b>DRAWING TITLE</b> DROP-IN TWISTLOCK <b>DRAWING NUMBER</b> ML100-14 Assy
DRAWING NUMBER			REV
ML100-14 Assy			C