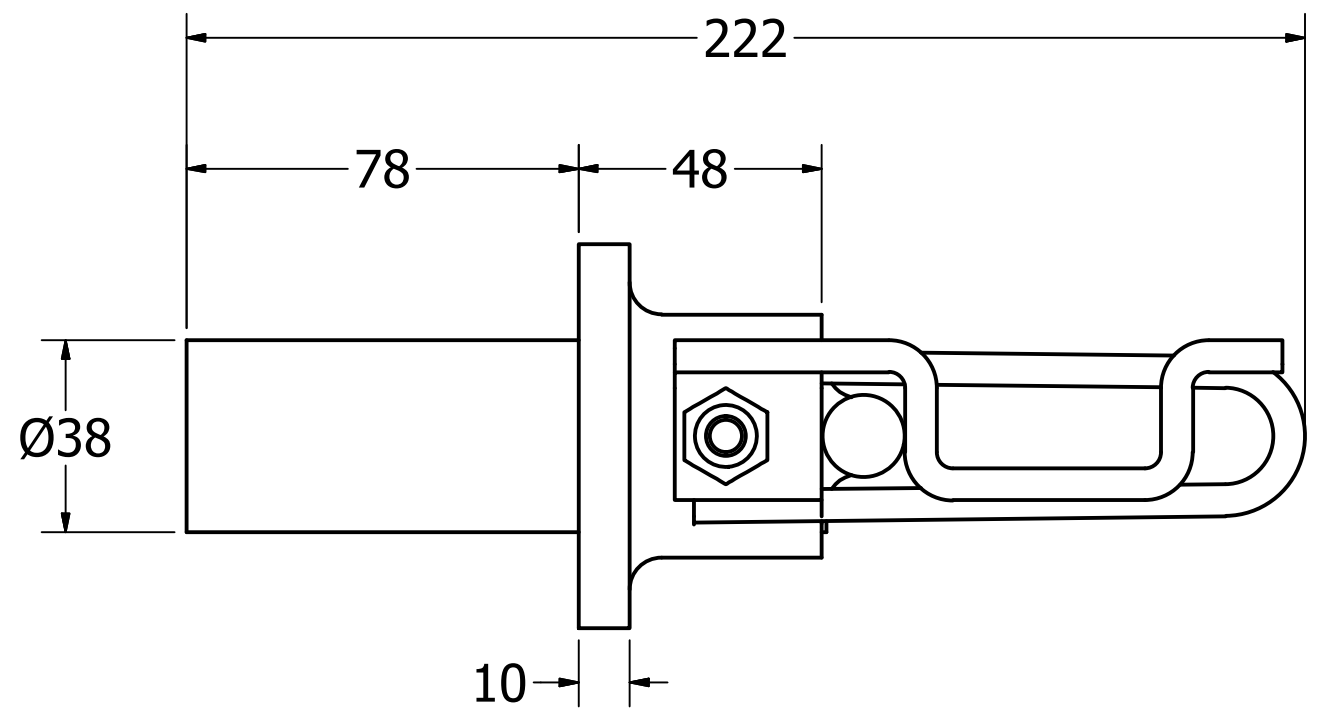
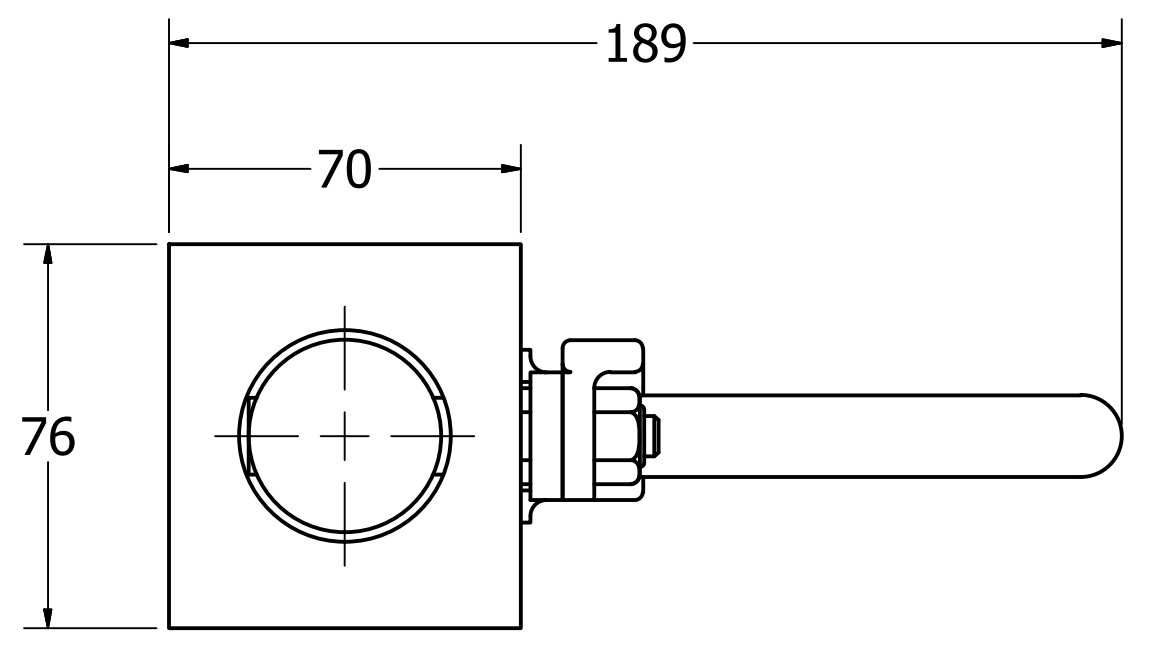
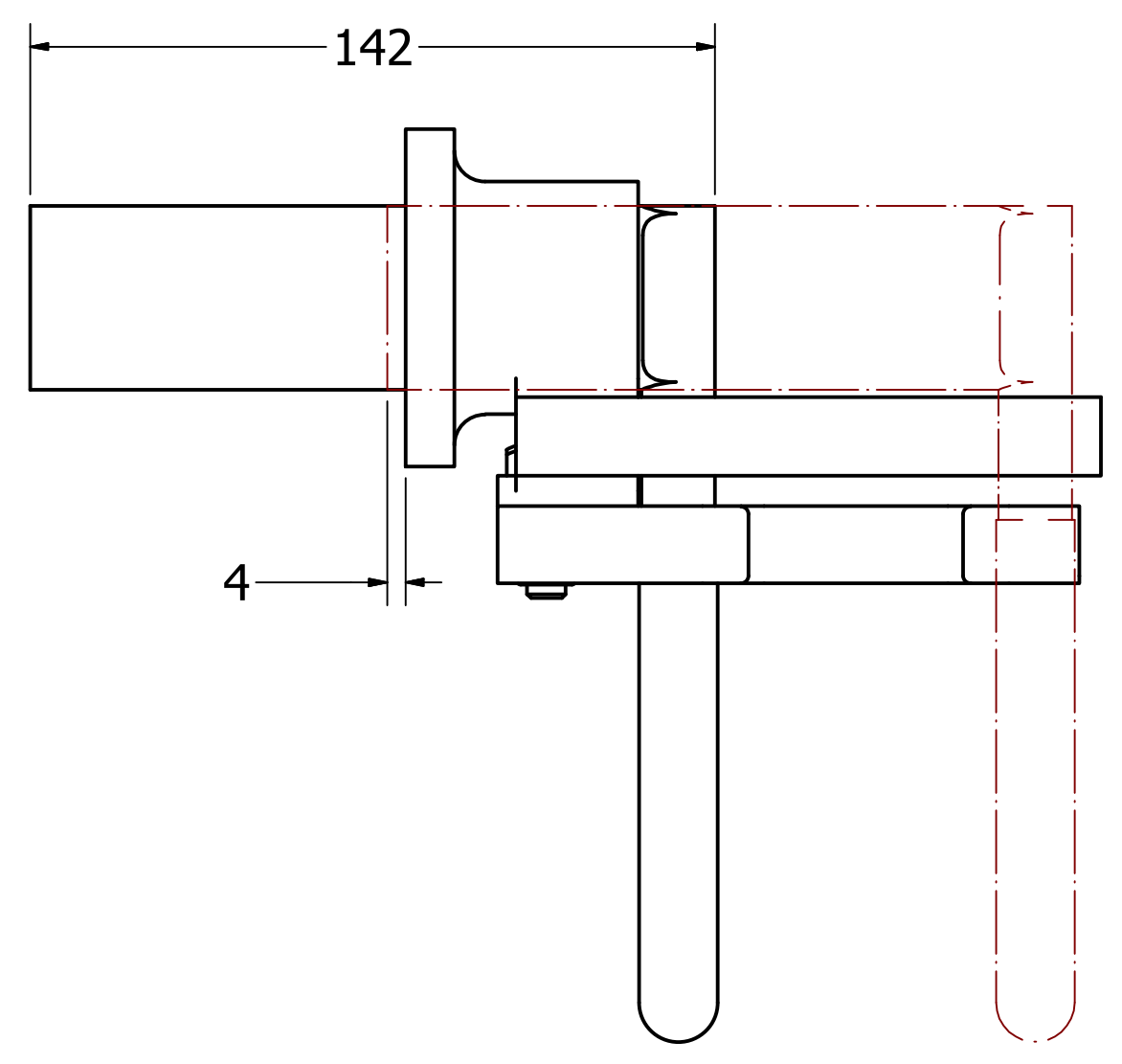
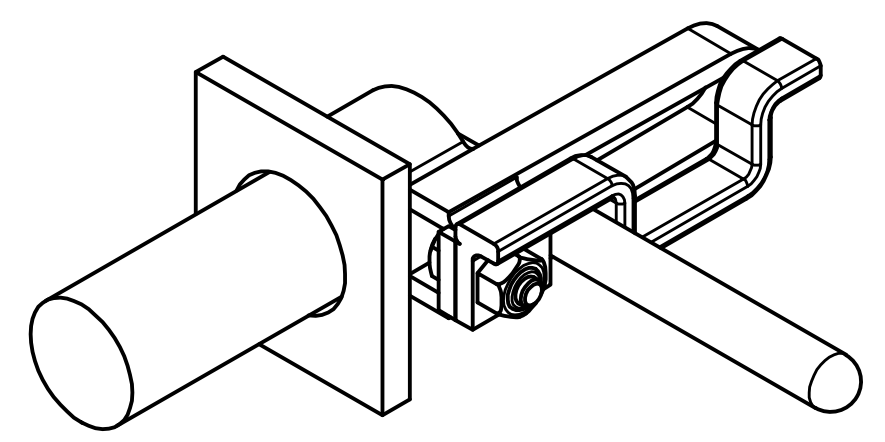


DCN.	ECN.	ECR	LOCATION	REV	BY	DATE	REMARKS
-	-	-	-	-	-	-	-



RH SHOWN - LH OPPOSITE (ML40-5)

CC	FEATURES LABELED AS SUCH SHALL REQUIRE STATISTICAL PROCESS CONTROL
SC	FEATURES LABELED AS SUCH REQUIRE REFERENCE TO A CONTROL PLAN

SHEET 1 OF 1	INITIALS JMB	DR.	JMB	CK.	-	ENGR.	-	MFG.	-	QUAL.	-	MATL.	-
DATE 11/15/2010													
COUNTRY OF ORIGIN	3RD ANGLE 		DO NOT SCALE										
UNITS MILLIMETERS	PROJECTION		PLOT SCALE 1:1 DRAWING SCALE NTS										
<b>GEOMETRIC TOLERANCE SYMBOLS</b> 													
KRISRY INTERNATIONAL INC. (847) 487-4907 - phone 1000 N. Rand Road, Suite 117 Wauconda, Illinois 60084											This drawing is the property of Krisry International Inc. It is furnished to you for confidential information purposes only. It is not to be disclosed to anyone else, reproduced, or used for manufacturing purposes without the express written permission of Krisry International Inc..		
DRAWING TITLE											REV		
DRAWING NUMBER											DWG SIZE		
FRONT LOCKING PIN											C		
ML40-4													