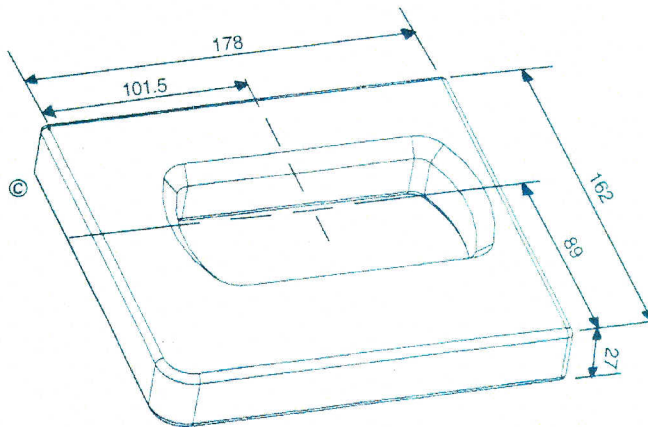
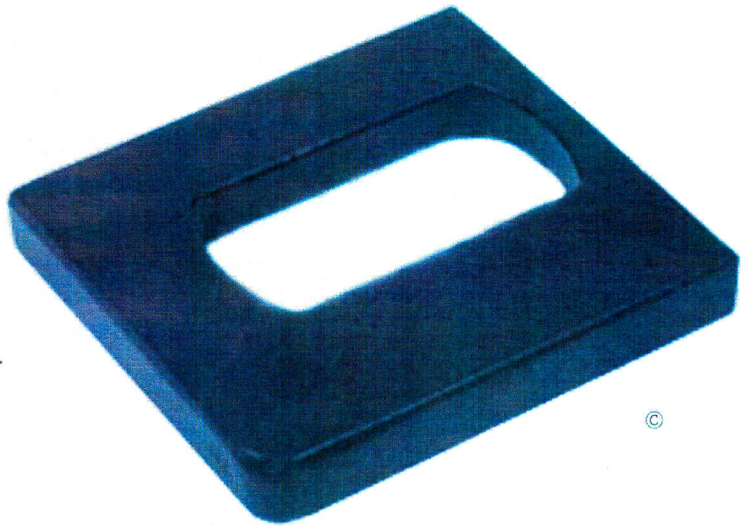


TWISTLOCK APERTURE CASTING Type BLR 1035

- Designed for fabrication into demountable body systems.
- Standard ISO aperture to suit all types of Twistlock head.
- Full ISO corner casting footprint.



LH as drawn
RH opposite