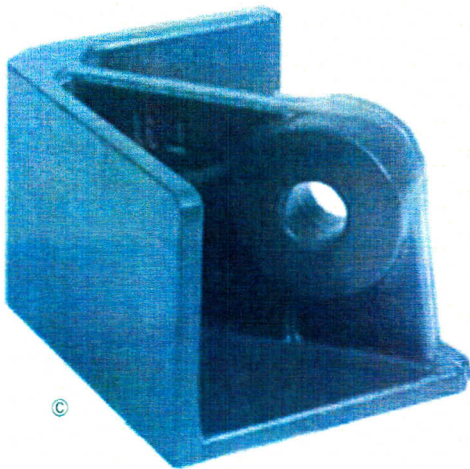


MINI BOX CORNER FITTING Type BLR 1073

These products are made from special steel designed for low temperature working at -40°C as standard.

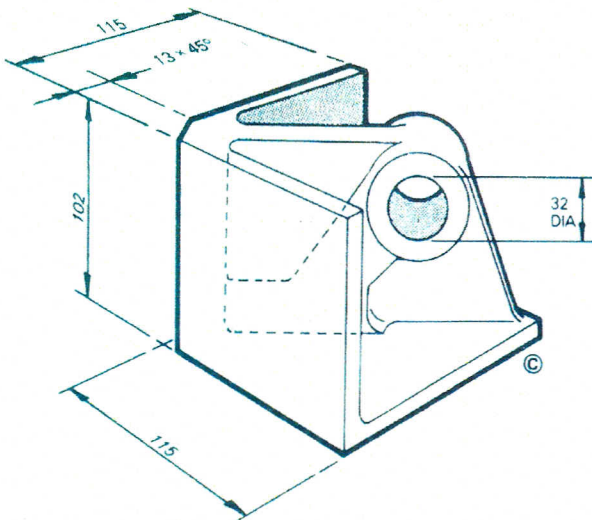


- To suit off-shore and mini containers.
- To suit angled or vertical lift slings.

Offers the user the following important advantages:

- Flush walls allow cost effective manufacture by using square cut rails and posts.
- Flush walls allow simple repair of container frames.
- One piece casting overcomes inconsistencies with weld fabrication designs.
- Robust design ensures long life.
- Design allows stacking of containers

Type BLR 1073



- Type BLR 1073
- Lifting hole to suit up to 30mm diameter 'D' shackle
- 32.5mm boss width.
- **WEIGHT: 4.2 kg
9.2 lbs**
- Safe working load 3250 kg