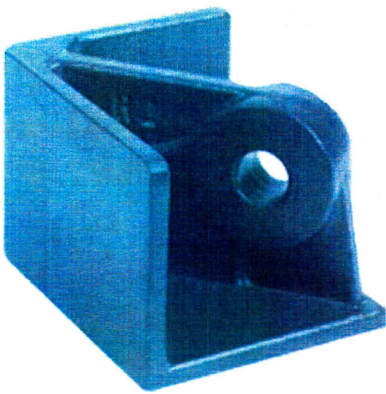


## MINI BOX CORNER FITTING TYPE BLR 4620

These products are made from special steel designed for low temperature working at -40°C as standard.

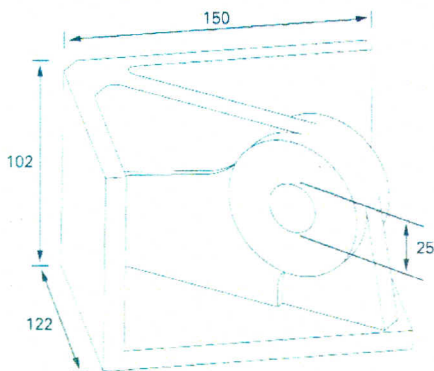


- To suit off-shore and mini containers
- Designed for both square boxes and width to length ratio of 1:1.25

**Offers the user the following important advantages:**

- Safe Working Load per set of 4 of 20 Tonnes.
- One piece casting overcomes inconsistencies of fabricated designs
- Robust design ensures long life
- Design allows stacking of containers

### Type BLR 4620



- Type BLR 4620
- **Weight : 5.7 kg**  
**12.5 lbs**
- Safe Working Load 5 Tonnes