

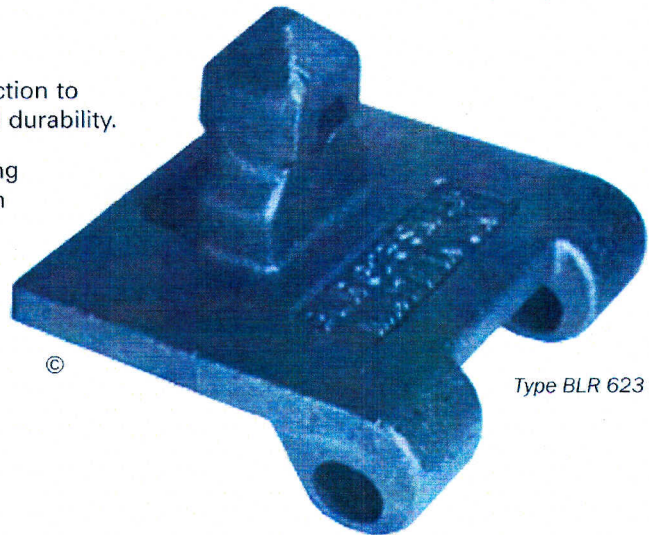
U.I.C. RAILWAY TWISTLOCK Type BLR 623

These products are made from special steel designed for low temperature working at -40°C as standard.

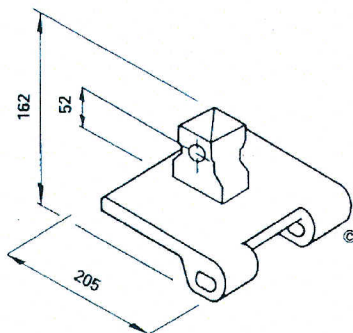
- Designed to secure ISO and special containers to railway wagons.
- UIC Standard.

Offers the user the following important advantages:

- Weldable cast steel construction to ensure rugged strength and durability.
- Can be supplied with locating spigot in transverse position for end attachment.
- Hinges back when not in use.

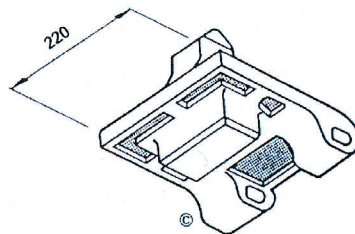


Type BLR 623 SM



BLR 623 EM Wagon end location type shown

View on underside



- UIC Standard

WEIGHT: 10.8 kg
23.8 lbs

FINISH: Self colour or
Red Oxide Primer.