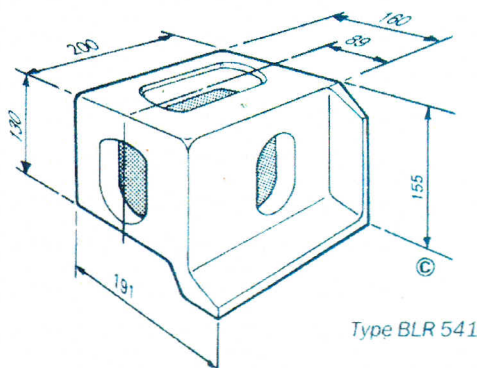


EUROPEAN OVERLAND CORNER FITTINGS

These products are made from special steel designed for low temperature working at -40°C as standard.
For 2.5 metre wide Dry Freight, Reefer and Tank containers.

Type BLR 541

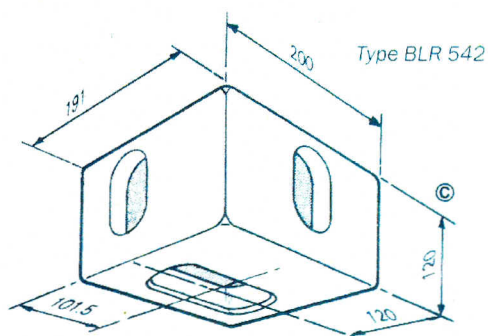
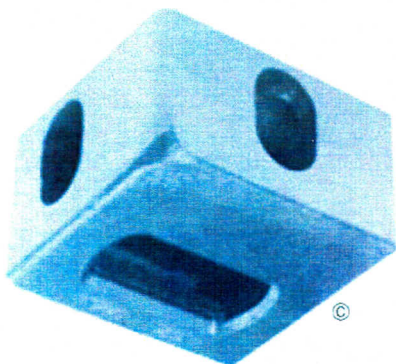


Top Corner

WEIGHT: 15.4 kg
33.9 lbs

RH as drawn LH opposite

Type BLR 542



Bottom Corner

WEIGHT: 14.4 kg
31.7 lbs

RH as drawn LH opposite