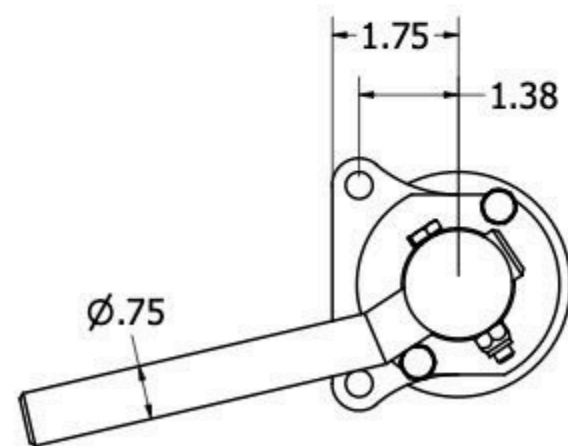
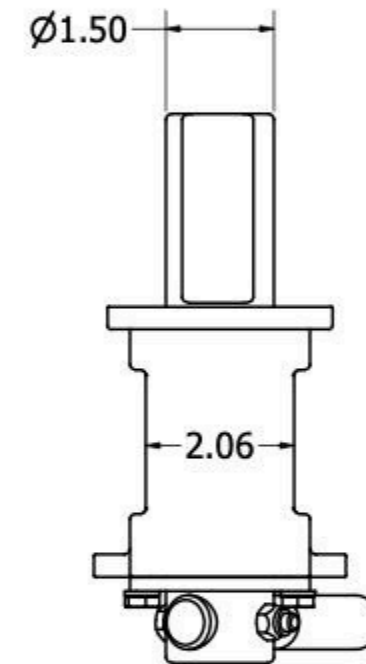
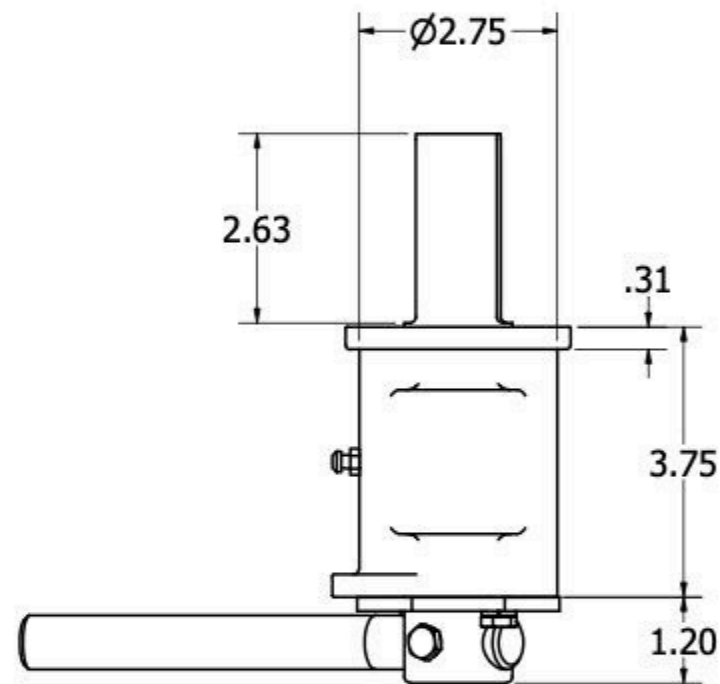
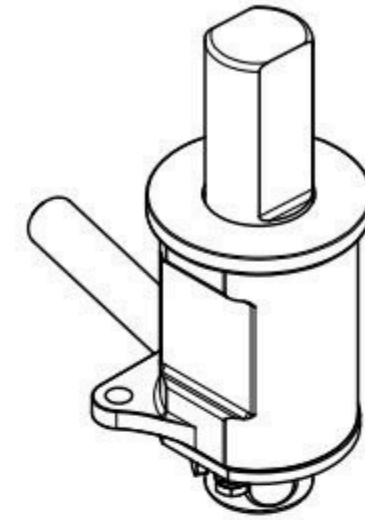
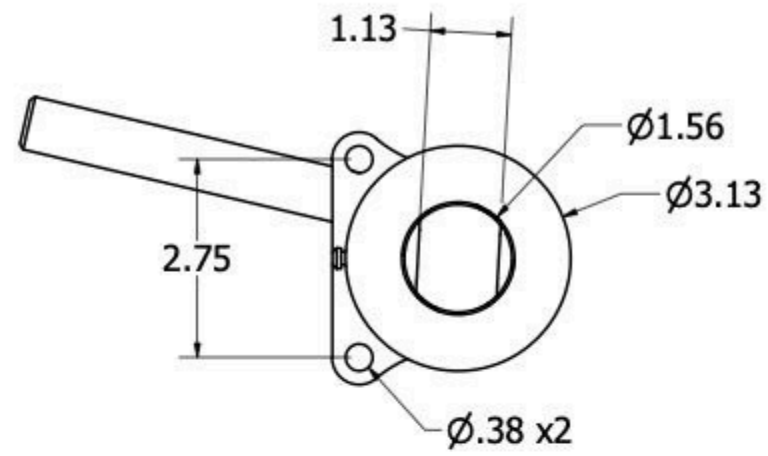


DCN, EDC, ECR	LOCATION	REV	BY	DATE	REMARKS
			CHK		REMARKS



CC	FEATURES LABELED AS SUCH SHALL REQUIRE STATISTICAL PROCESS CONTROL
SC	FEATURES LABELED AS SUCH REQUIRE REFERENCE TO A CONTROL PLAN

SHEET	INITIALS	DR.	EDC	CR.	ENGR.	MFG.	QUAL.	MATL.
1 of 1		DATE	6/12/2013					
COUNTRY OF ORIGIN	3RD ANGLE PROJECTION		DO NOT SCALE					
UNITS	MILLIMETERS		PLOT SCALE	KRISRY INTERNATIONAL INC. (847) 487-4807 - phone 1000 N. Rand Road, Suite 117 Nauvoda, Illinois 60084				
GEOMETRIC TOLERANCE SYMBOLS CONCENTRICITY, SYMMETRICAL, PARALLELISM, FLATNESS, PROFILE OF A SURFACE, LEAST MATERIAL CONDITION, REGARDLESS OF FEATURE SIZE, POSITION, CIRCULARITY, CIRCULAR RUNOUT, TOTAL RUNOUT, PERPENDICULARITY, STRAIGHTNESS, ANGULARITY, CIRCULAR RUNOUT, PROFILE OF A LINE, BASIC DIMENSION, DATUM				This drawing is the property of Krisry International Inc. It is furnished to you for confidential information purposes only. It is not to be disclosed to anyone else, reproduced, or used for manufacturing purposes without the express written permission of Krisry International Inc.				
DRAWING TITLE								REV
FRONT LOCKING PIN								
DRAWING NUMBER								DWG. SIZE
KRY-5								C