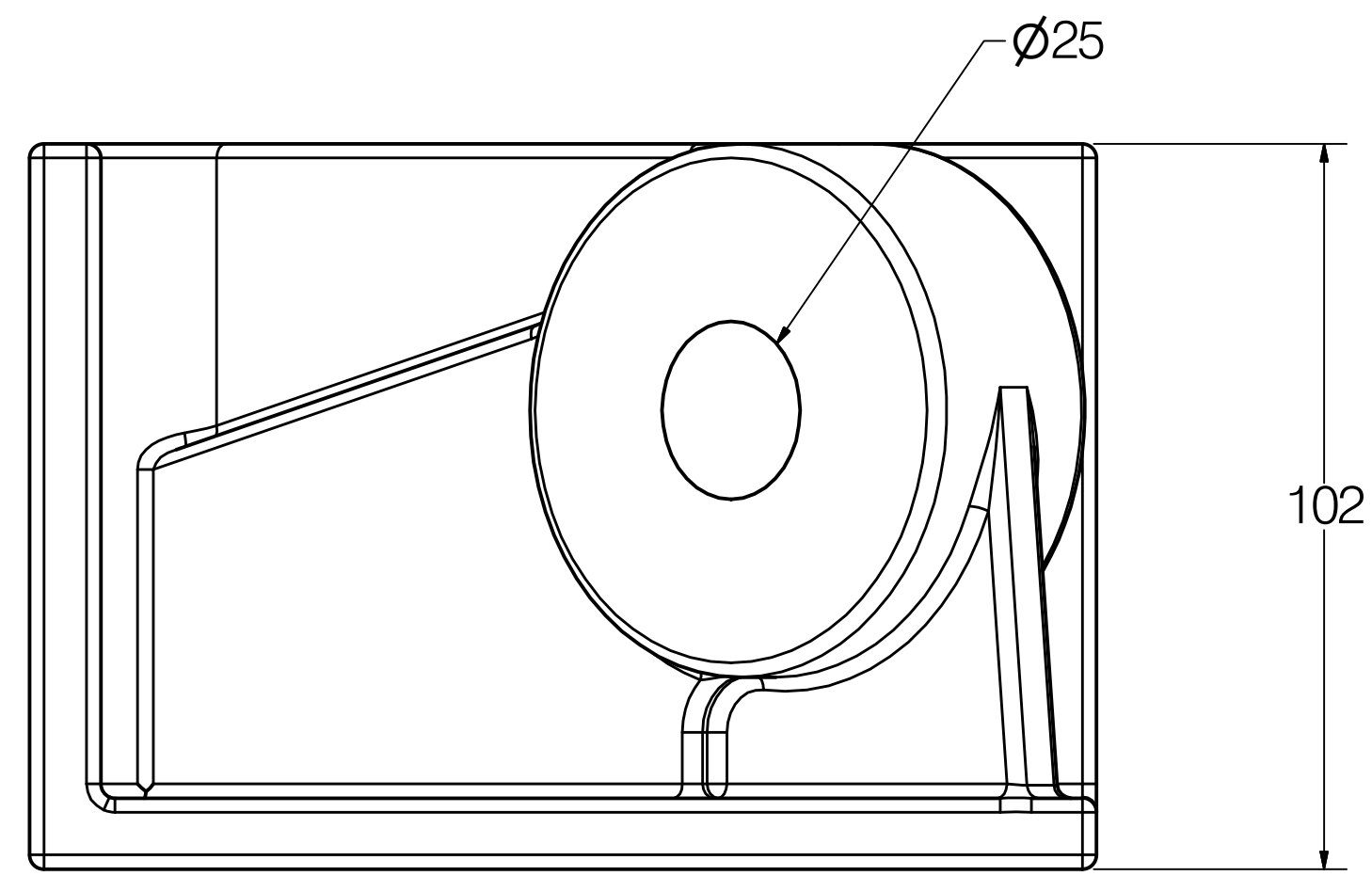
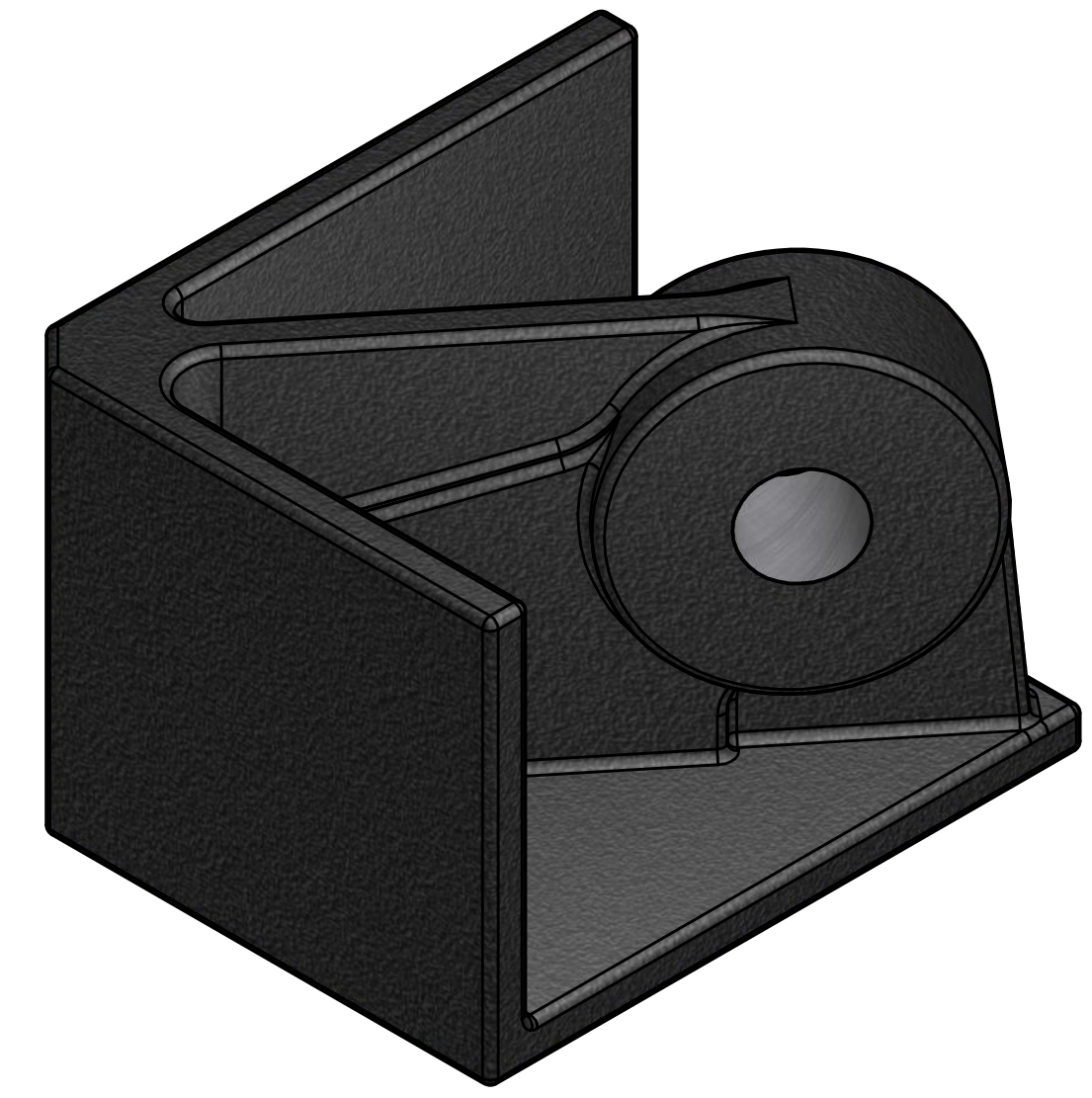
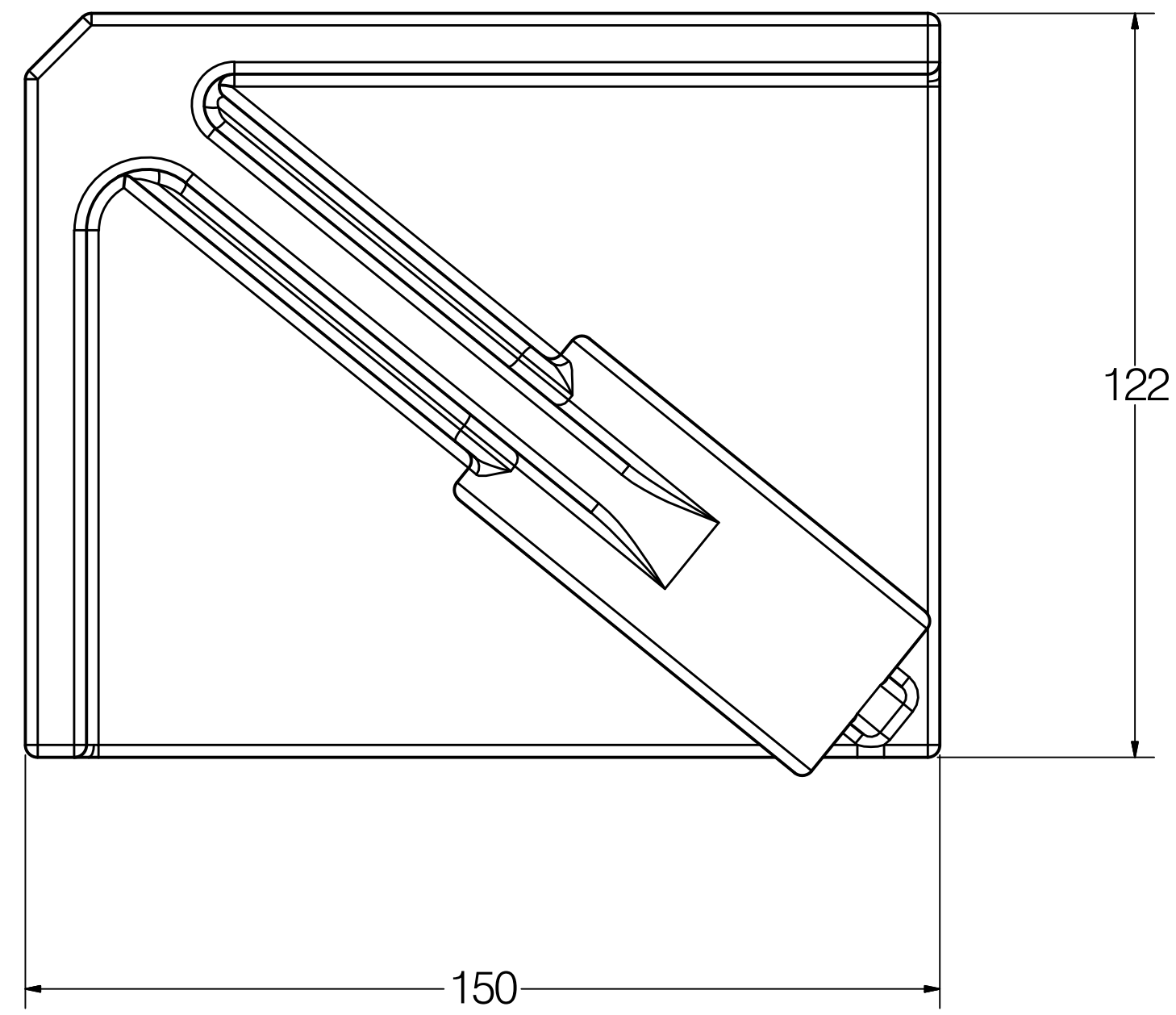


DCN.	ECN.	ECR	LOCATION	REV	BY	DATE	REMARKS
-	-	-	-	-	-	-	-



CC	FEATURES LABELED AS SUCH SHALL REQUIRE STATISTICAL PROCESS CONTROL
SC	FEATURES LABELED AS SUCH REQUIRE REFERENCE TO A CONTROL PLAN

SHEET 1 OF 1	INITIALS JMB	DR.	DATE 2/9/2011	CK.	ENGR.	MFG.	QUAL.	MATL.
COUNTRY OF ORIGIN	3RD ANGLE PROJECTION	DO NOT SCALE PLOT SCALE 1:1 DRAWING SCALE NTS						
UNITS MILLIMETERS	GEOMETRIC TOLERANCE SYMBOLS ○ CONCENTRICITY ⊕ POSITION ⊥ PERPENDICULARITY ≡ SYMMETRICAL ○ CIRCULARITY — STRAIGHTNESS // PARALLELISM ⊘ CYLINDRICITY ∠ ANGULARITY ∟ FLATNESS ↻ TOTAL RUNOUT ↻ CIRCULAR RUNOUT ⊕ MOST MATERIAL CONDITION — PROFILE OF A LINE ⊖ LEAST MATERIAL CONDITION □ BASIC DIMENSION ⊕ REGARDLESS OF FEATURE SIZE — DATUM			KRISRY INTERNATIONAL, INC. 1000 N. Rand Rd. Suite 117 Wauconda, IL 60084 (847) 487-4907 <small>This drawing is the property of Krisry International Inc. It is furnished to you for confidential information purposes only. It is not to be disclosed to anyone else, reproduced, or used for manufacturing purposes without the express written permission of Krisry International Inc.</small>				
DRAWING TITLE MINI BOX CORNER FITTING								REV
DRAWING NUMBER BLR4620								DWG SIZE C