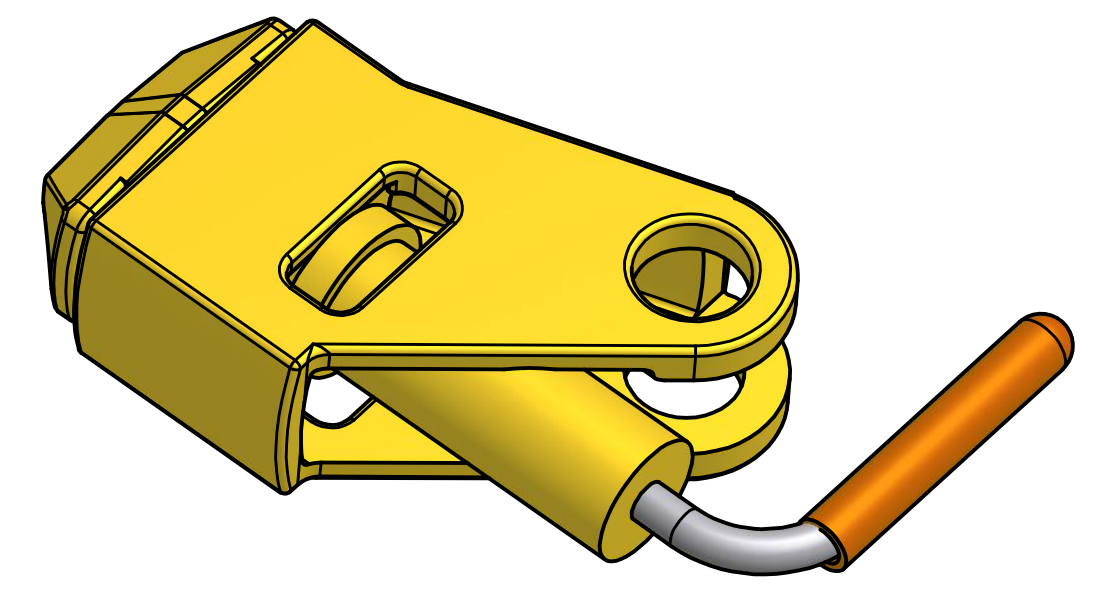
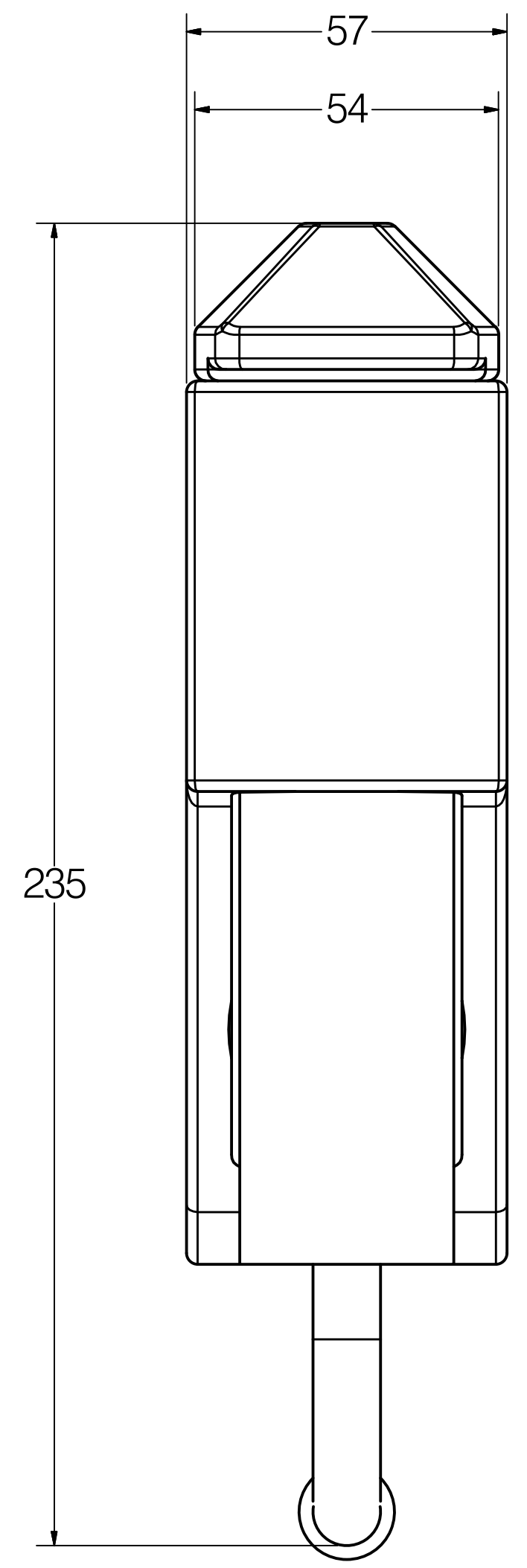
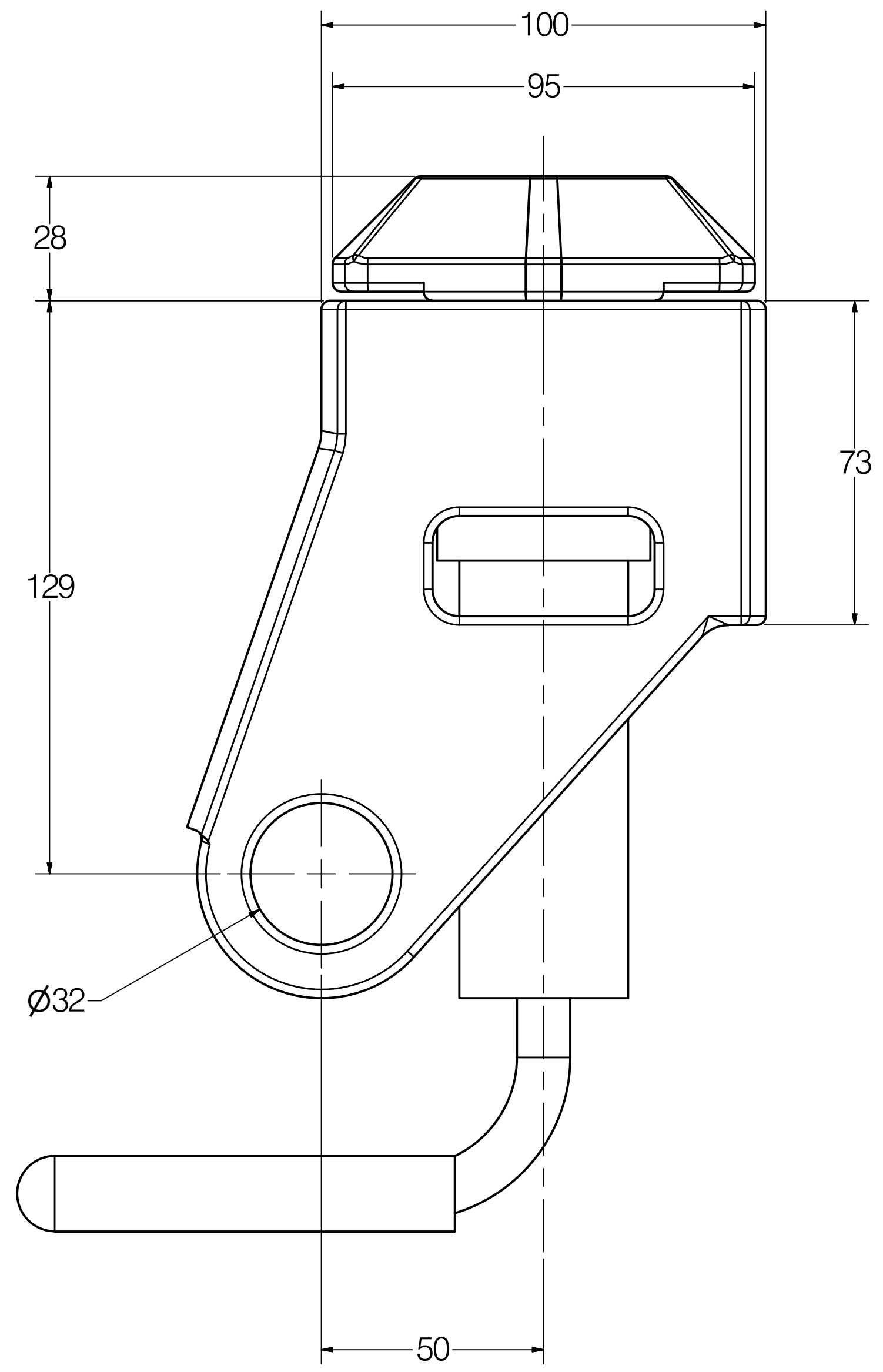


DCN.	ECN.	ECR	LOCATION	REV	BY	DATE	REMARKS
-	-	-	-	-	-	-	-



CC	FEATURES LABELED AS SUCH SHALL REQUIRE STATISTICAL PROCESS CONTROL
SC	FEATURES LABELED AS SUCH REQUIRE REFERENCE TO A CONTROL PLAN

SHEET 1 OF 1	INITIALS JMB	DR.	DATE 2/21/2011	CK.	ENGR.	MFG.	QUAL.	MATL.																								
COUNTRY OF ORIGIN	3RD ANGLE PROJECTION	DO NOT SCALE PLOT SCALE 1:1 DRAWING SCALE NTS																														
UNITS MILLIMETERS	<p>GEOMETRIC TOLERANCE SYMBOLS</p> <table border="0"> <tr> <td>⊙ CONCENTRICITY</td> <td>⊕ POSITION</td> <td>⊥ PERPENDICULARITY</td> </tr> <tr> <td>≡ SYMMETRICAL</td> <td>○ CIRCULARITY</td> <td>— STRAIGHTNESS</td> </tr> <tr> <td>// PARALLELISM</td> <td>⊘ CYLINDRICITY</td> <td>∠ ANGULARITY</td> </tr> <tr> <td>∠ FLATNESS</td> <td>⊘ TOTAL RUNOUT</td> <td>↗ CIRCULAR RUNOUT</td> </tr> <tr> <td>⊙ MOST MATERIAL CONDITION</td> <td>⊘ PROFILE OF A LINE</td> <td>— BASIC DIMENSION</td> </tr> <tr> <td>⊘ PROFILE OF A SURFACE</td> <td>□ DATUM</td> <td></td> </tr> <tr> <td>⊘ LEAST MATERIAL CONDITION</td> <td></td> <td></td> </tr> <tr> <td>⊘ REGARDLESS OF FEATURE SIZE</td> <td></td> <td></td> </tr> </table>			⊙ CONCENTRICITY	⊕ POSITION	⊥ PERPENDICULARITY	≡ SYMMETRICAL	○ CIRCULARITY	— STRAIGHTNESS	// PARALLELISM	⊘ CYLINDRICITY	∠ ANGULARITY	∠ FLATNESS	⊘ TOTAL RUNOUT	↗ CIRCULAR RUNOUT	⊙ MOST MATERIAL CONDITION	⊘ PROFILE OF A LINE	— BASIC DIMENSION	⊘ PROFILE OF A SURFACE	□ DATUM		⊘ LEAST MATERIAL CONDITION			⊘ REGARDLESS OF FEATURE SIZE			<p>KRISRY INTERNATIONAL, INC. 1000 N. Rand Rd. Suite 117 Wauconda, IL 60084 (847) 487-4907</p> <p>This drawing is the property of Krisry International Inc. It is furnished to you for confidential information purposes only. It is not to be disclosed to anyone else, reproduced, or used for manufacturing purposes without the express written permission of Krisry International Inc.</p>				
⊙ CONCENTRICITY	⊕ POSITION	⊥ PERPENDICULARITY																														
≡ SYMMETRICAL	○ CIRCULARITY	— STRAIGHTNESS																														
// PARALLELISM	⊘ CYLINDRICITY	∠ ANGULARITY																														
∠ FLATNESS	⊘ TOTAL RUNOUT	↗ CIRCULAR RUNOUT																														
⊙ MOST MATERIAL CONDITION	⊘ PROFILE OF A LINE	— BASIC DIMENSION																														
⊘ PROFILE OF A SURFACE	□ DATUM																															
⊘ LEAST MATERIAL CONDITION																																
⊘ REGARDLESS OF FEATURE SIZE																																
DRAWING TITLE RO-RO TWISTLOCK		DRAWING NUMBER BLR1075			REV		DWG SIZE C																									