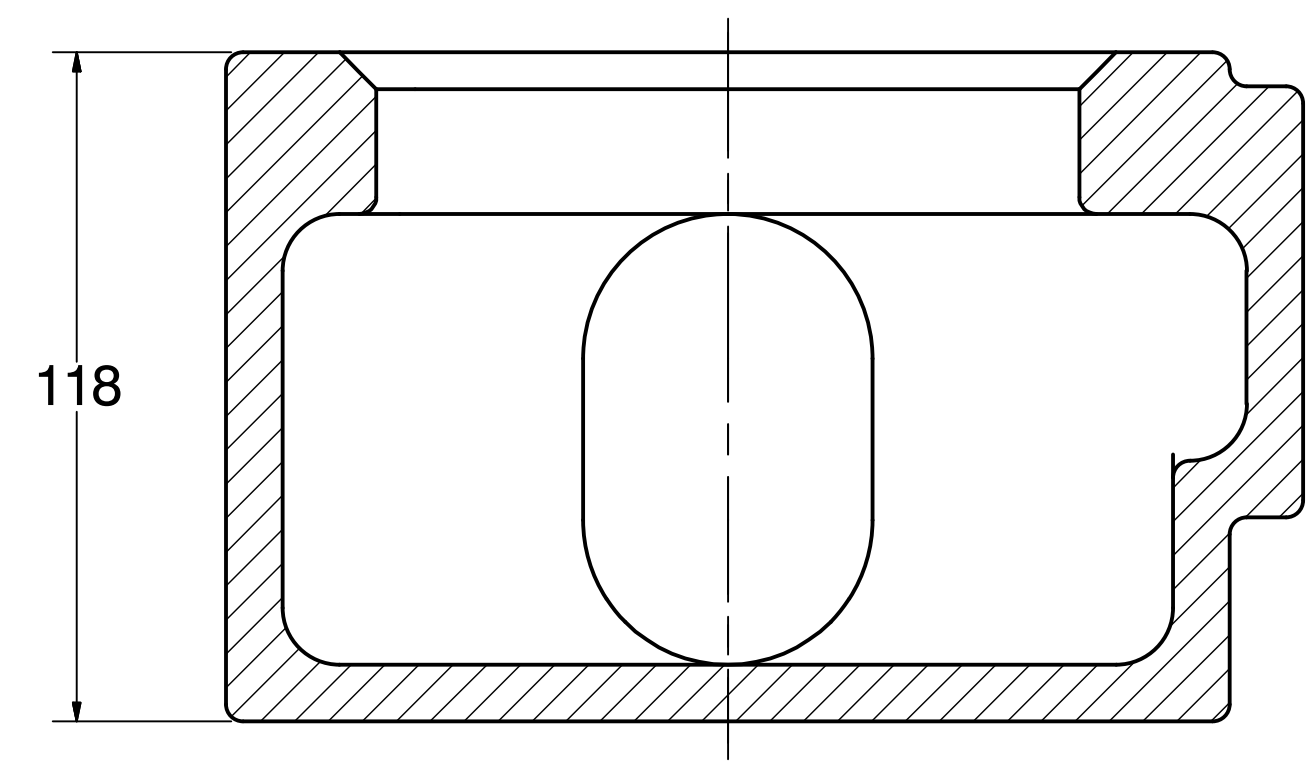
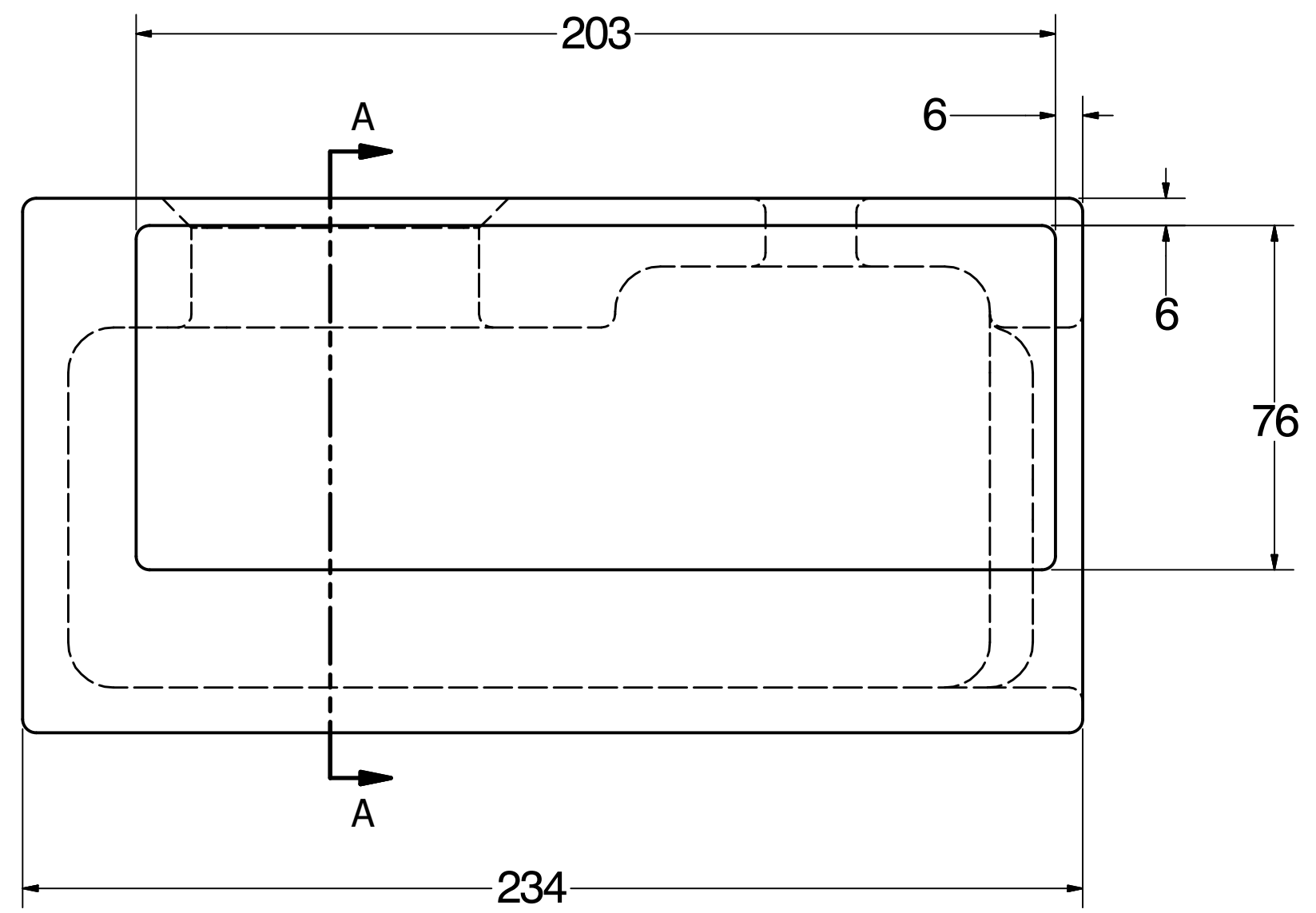
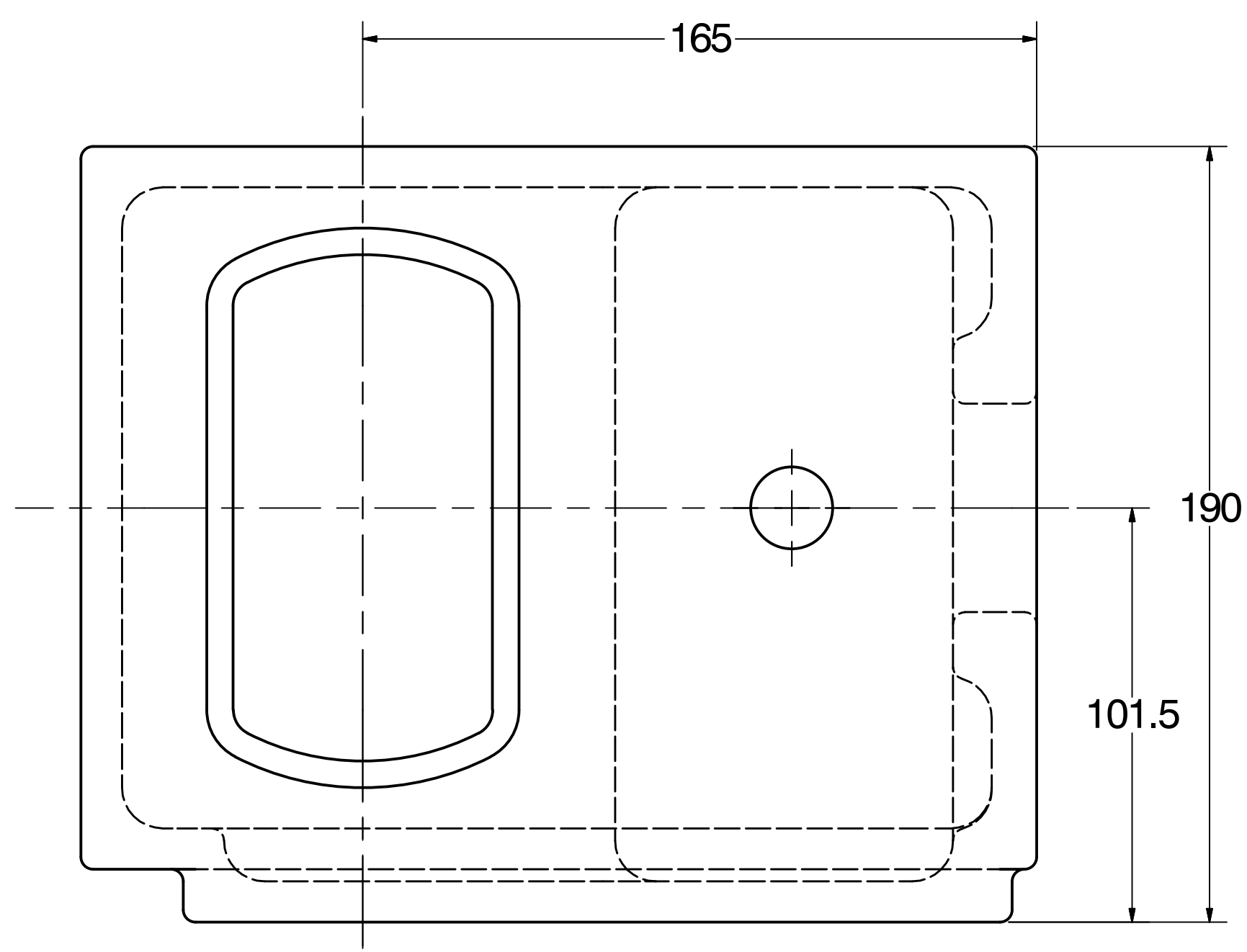


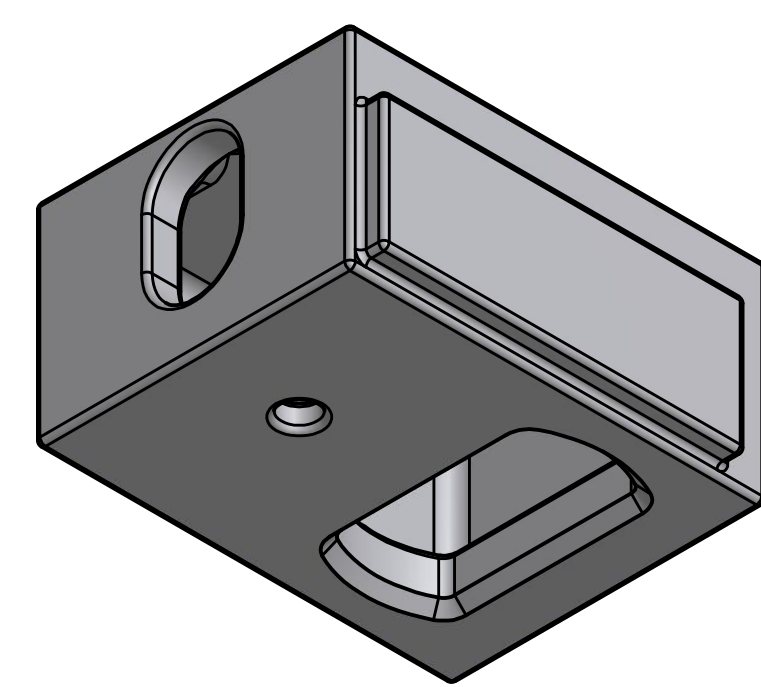
DCN, ECN, ECR	LOCATION	REV	BY	DATE	REMARKS
-	-	-	-	-	-



SECTION A-A



LH SHOWN (RH OPPOSITE)



CC	FEATURES LABELED AS SUCH SHALL REQUIRE STATISTICAL PROCESS CONTROL
SC	FEATURES LABELED AS SUCH REQUIRE REFERENCE TO A CONTROL PLAN

SHEET	INITIALS	DR.	JMB	CK.	ENGR.	MFG.	QUAL.	MATL.
10F1	DATE	08/26/10						
COUNTRY OF ORIGIN	1ST ANGLE	DO NOT SCALE	 KRISRY INTERNATIONAL INC. (847) 487-4907 - phone 000 N. Rand Road, Suite 117 Wauconda, Illinois 60084					
UNITS	PROJECTION	PLOT SCALE 1:1						
MILLIMETERS		DRAWING SCALE NTS						
GEOMETRIC TOLERANCE SYMBOLS CONCENTRICITY POSITION PERPENDICULARITY SYMMETRICAL CIRCULARITY STRAIGHTNESS PARALLELISM CIRCULARITY ANGULARITY FLATNESS TOTAL RUNOUT CIRCULAR RUNOUT MOST MATERIAL CONDITION PROFILE OF A LINE LEAST MATERIAL CONDITION BASIC DIMENSION REGARDLESS OF FEATURE SIZE DATUM								
DRAWING TITLE						REV		
LOWER INTERMEDIATE CASTING						C		
DRAWING NUMBER						DWG SIZE		
BLR1540						C		