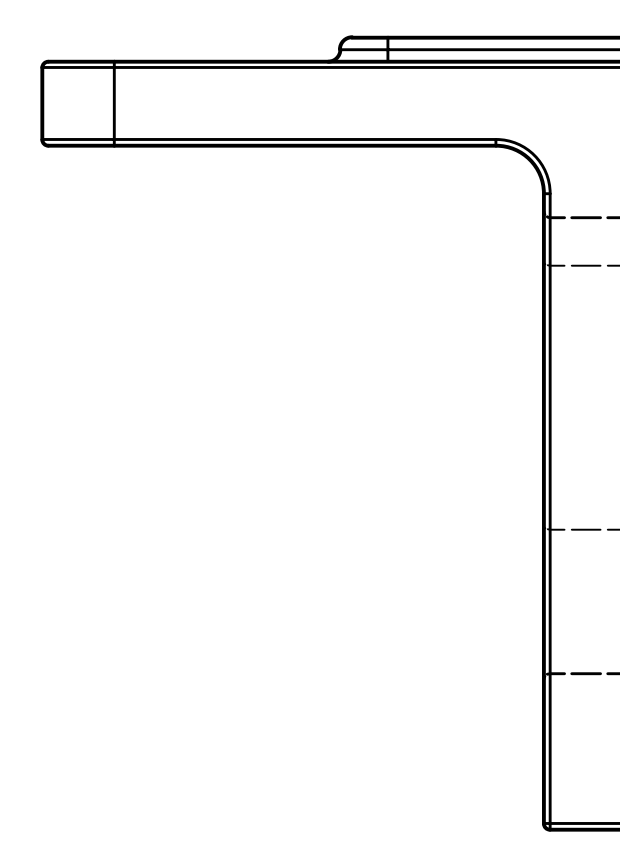
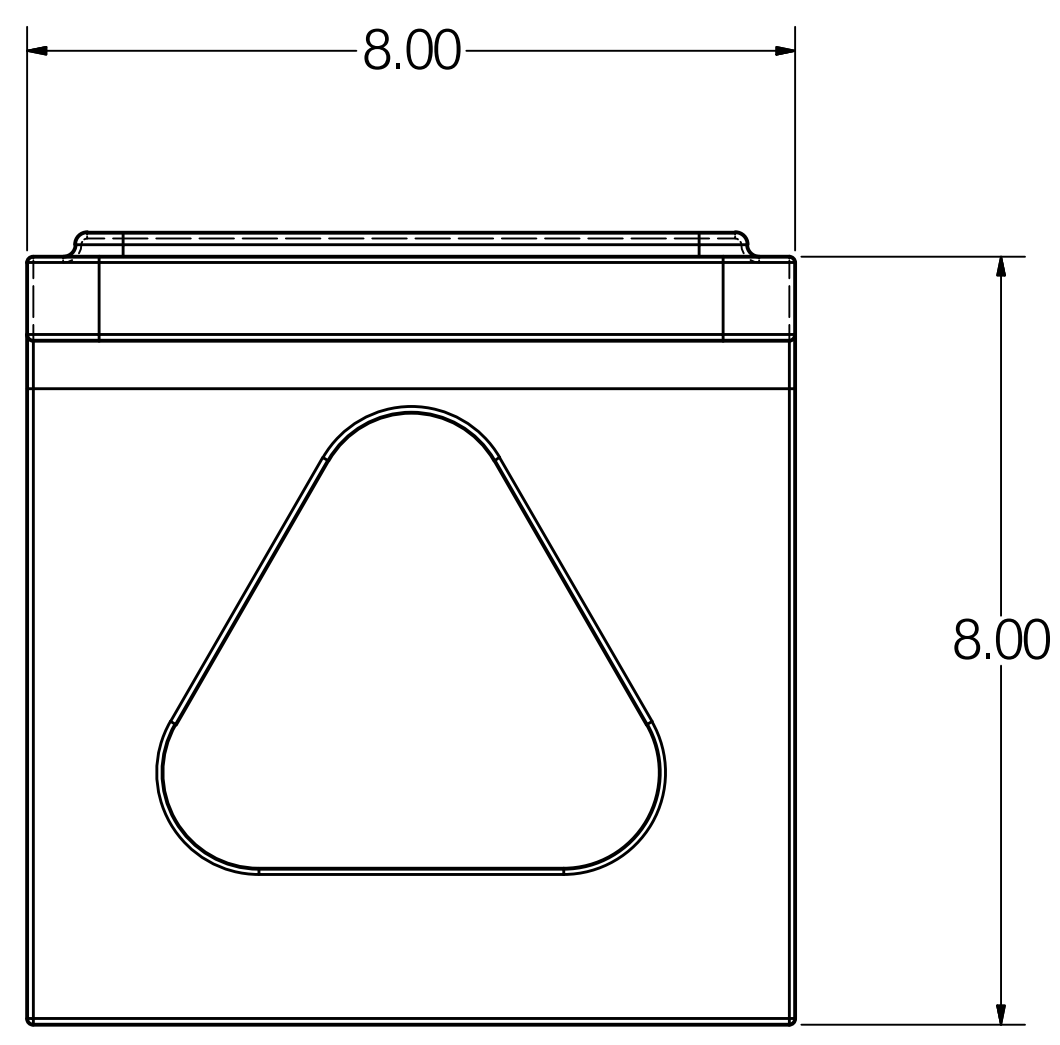
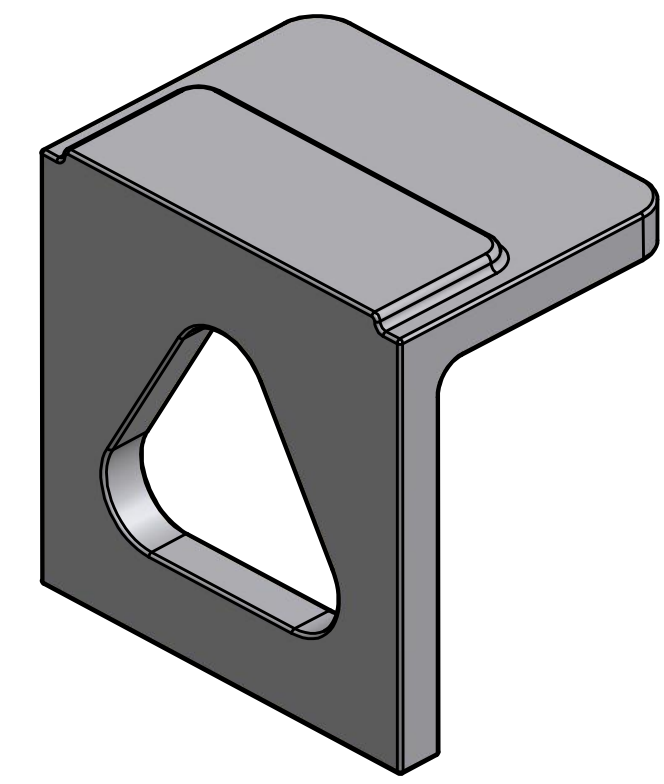
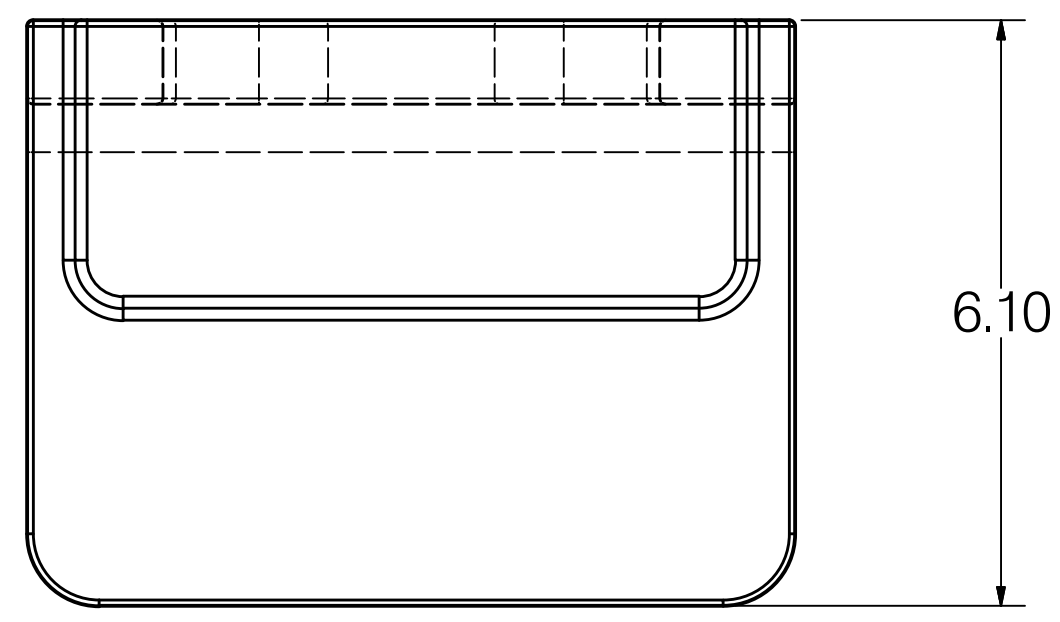



DCN. EGN. ECR	LOCATION	REV	BY	DATE	REMARKS
-	-	-	-	-	-



CC	FEATURES LABELED AS SUCH SHALL REQUIRE STATISTICAL PROCESS CONTROL
SC	FEATURES LABELED AS SUCH REQUIRE REFERENCE TO A CONTROL PLAN

SHEET 1 OF 1	INITIALS JMB	DR.	CK.	ENGR.	MFG.	QUAL.	MATL.
	DATE 4/1/2011						
COUNTRY OF ORIGIN	3RD ANGLE PROJECTION	DO NOT SCALE		 KRISRY INTERNATIONAL, INC. 1000 N. Rand Rd. Suite 117 Wauconda, IL 60084 (847) 487-4907			
UNITS INCHES		PLOT SCALE 1:1 DRAWING SCALE NTS		This drawing is the property of Krisry International Inc. It is furnished to you for confidential information purposes only. It is not to be disclosed to anyone else, reproduced, or used for manufacturing purposes without the express written permission of Krisry International Inc..			
<b>GEOMETRIC TOLERANCE SYMBOLS</b> CONCENTRICITY    POSITION    PERPENDICULARITY SYMMETRICAL    CIRCULARITY    STRAIGHTNESS PARALLELISM    CYLINDRICITY    ANGULARITY FLATNESS    TOTAL RUNOUT    CIRCULAR RUNOUT MOST MATERIAL CONDITION    PROFILE OF A LINE PROFILE OF A SURFACE    BASIC DIMENSION LEAST MATERIAL CONDITION    DATUM REGARDLESS OF FEATURE SIZE    PATH		DRAWING TITLE UPPER INTERMED. CASTING		REV		DWG SIZE C	
		DRAWING NUMBER BLR4299					