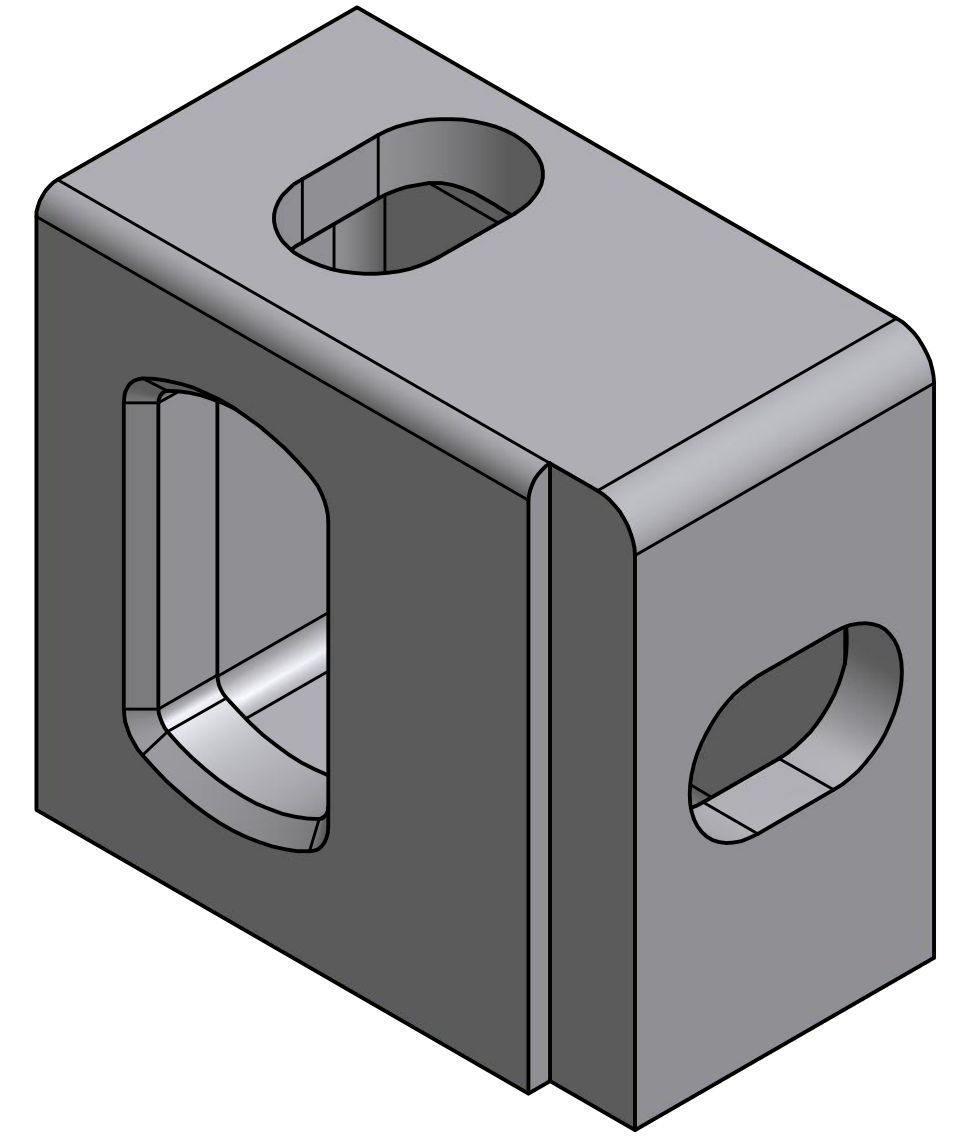
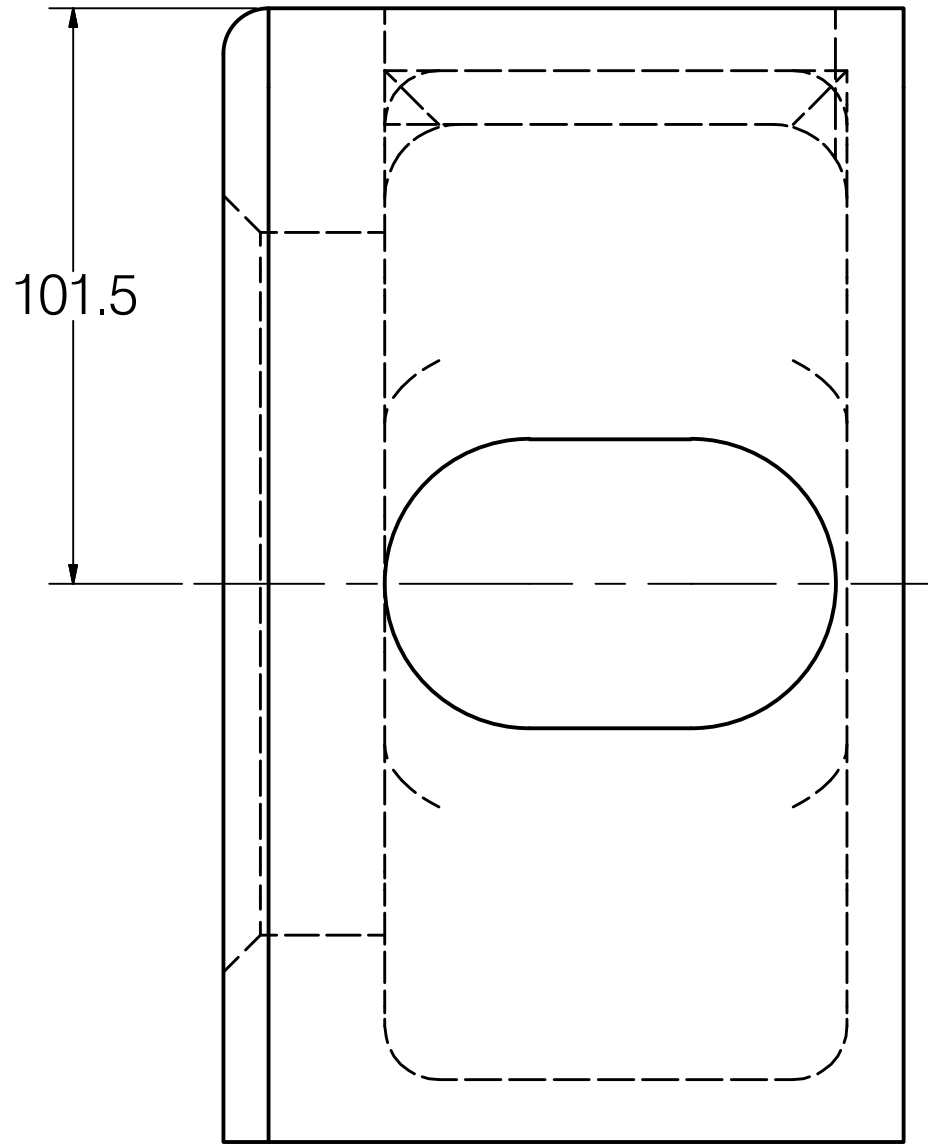
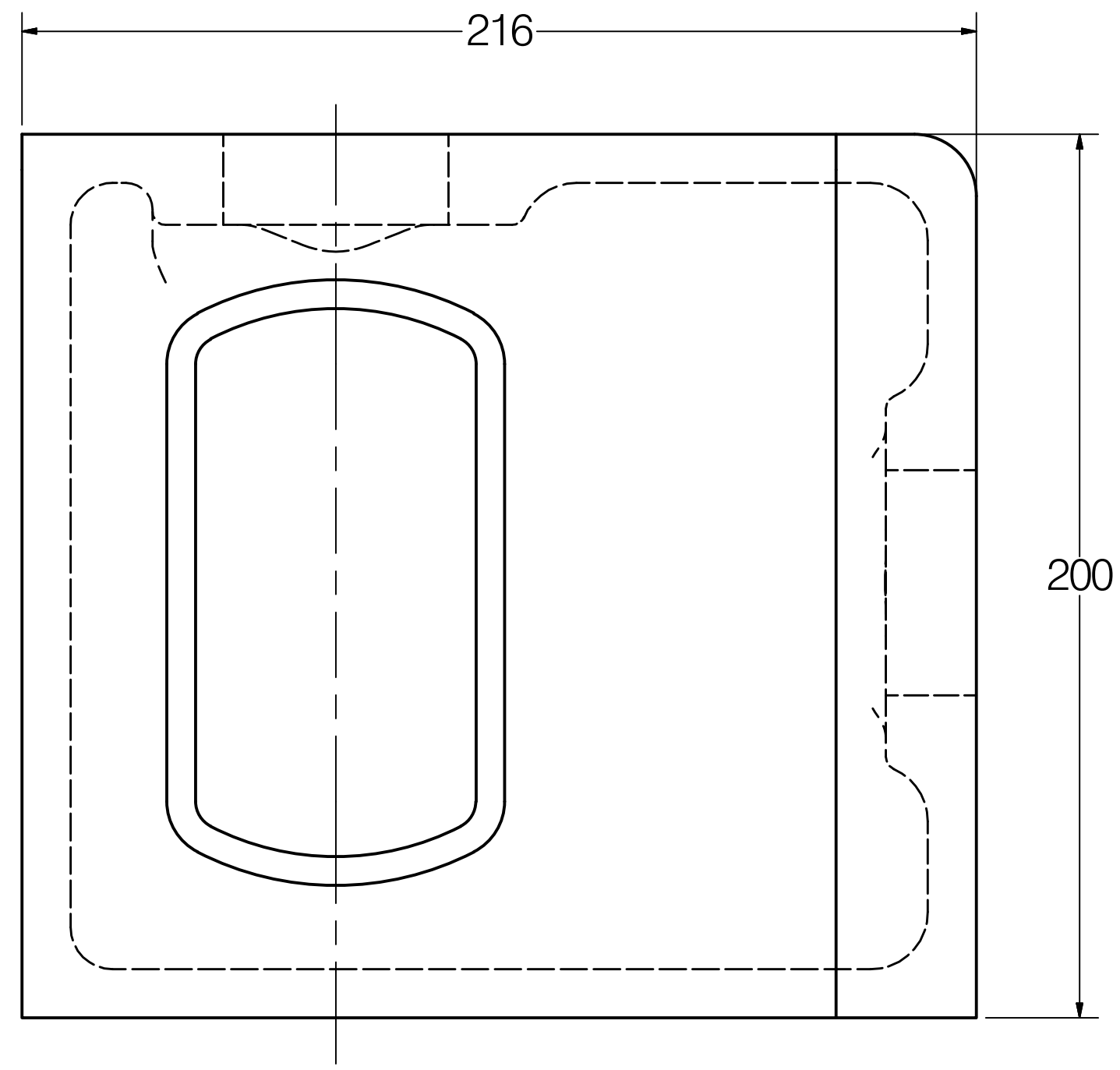
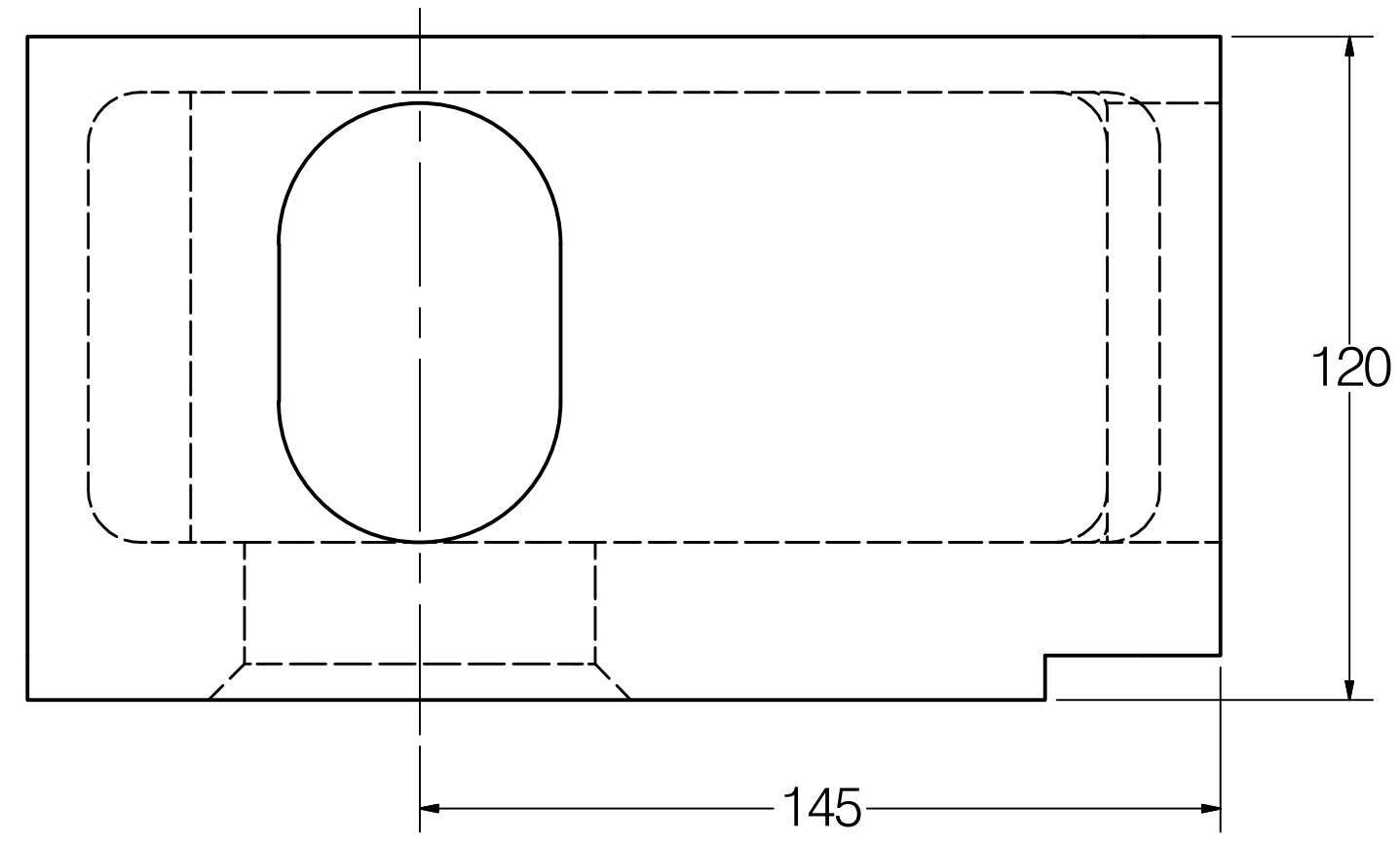


DCN. EGN. ECR	LOCATION	REV	BY	DATE	REMARKS
-	-	-	-	-	-



RH SHOWN (LH OPPOSITE)

CC	FEATURES LABELED AS SUCH SHALL REQUIRE STATISTICAL PROCESS CONTROL
SC	FEATURES LABELED AS SUCH REQUIRE REFERENCE TO A CONTROL PLAN

SHEET 1 OF 1	INITIALS JMB	DR.	JMB	CK.	-	ENGR.	-	MFG.	-	QUAL.	-	MATL.	-
DATE	2/15/2011												
COUNTRY OF ORIGIN	3RD ANGLE 	DO NOT SCALE	KRISRY INTERNATIONAL, INC. 1000 N. Rand Rd. Suite 117 Wauconda, IL 60084 (847) 487-4907										
UNITS MILLIMETERS	PROJECTION	PLOT SCALE 1:1	This drawing is the property of Krisry International Inc. It is furnished to you for confidential information purposes only. It is not to be disclosed to anyone else, reproduced, or used for manufacturing purposes without the express written permission of Krisry International Inc.										
GEOMETRIC TOLERANCE SYMBOLS CONCENTRICITY POSITION SYMMETRICAL CIRCULARITY PARALLELISM CIRCULARITY FLATNESS TOTAL RUNOUT MOST MATERIAL CONDITION CIRCULAR RUNOUT LEAST MATERIAL CONDITION PROFILE OF A LINE REGARDLESS OF FEATURE SIZE BASIC DIMENSION DATUM		DRAWING TITLE	REV										
		DRAWING NUMBER	DWG SIZE										
		BLR4450 RH	C										