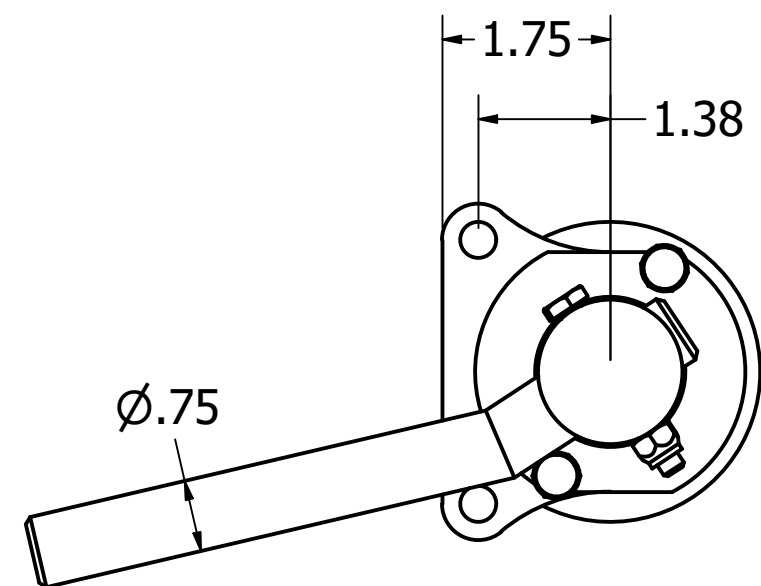
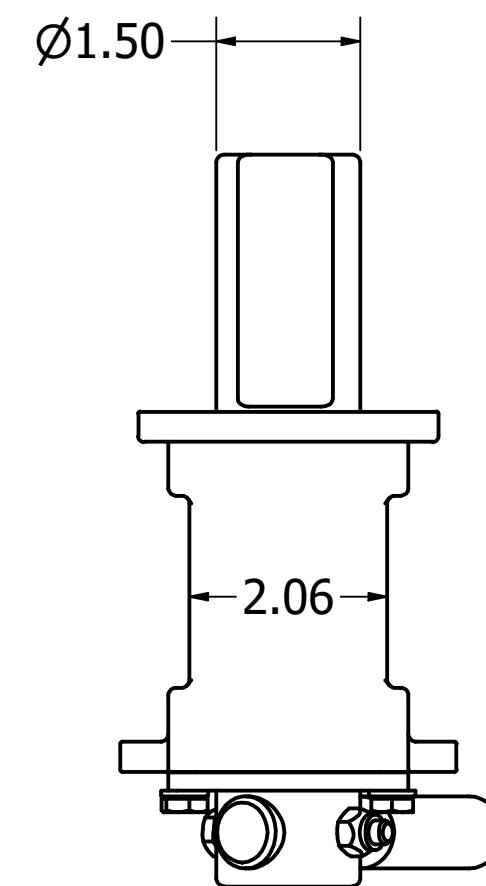
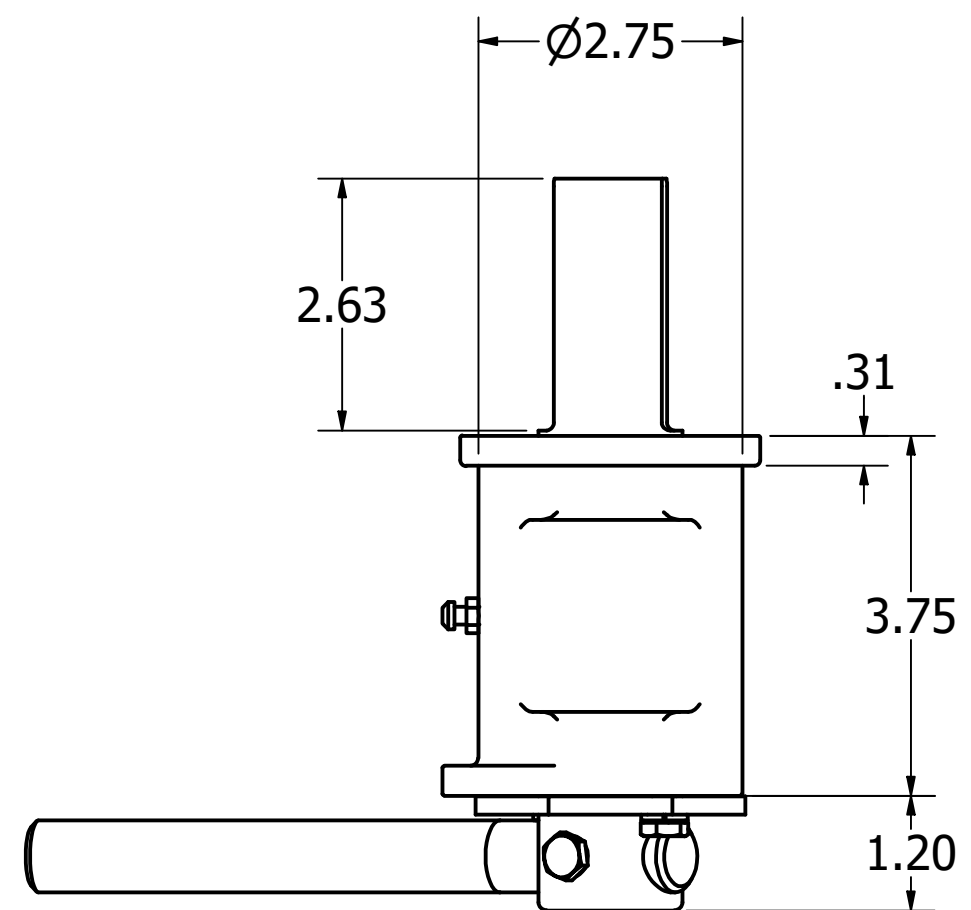
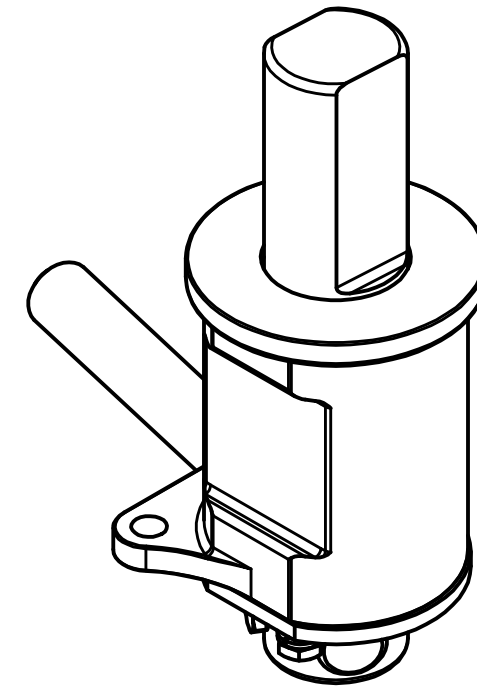
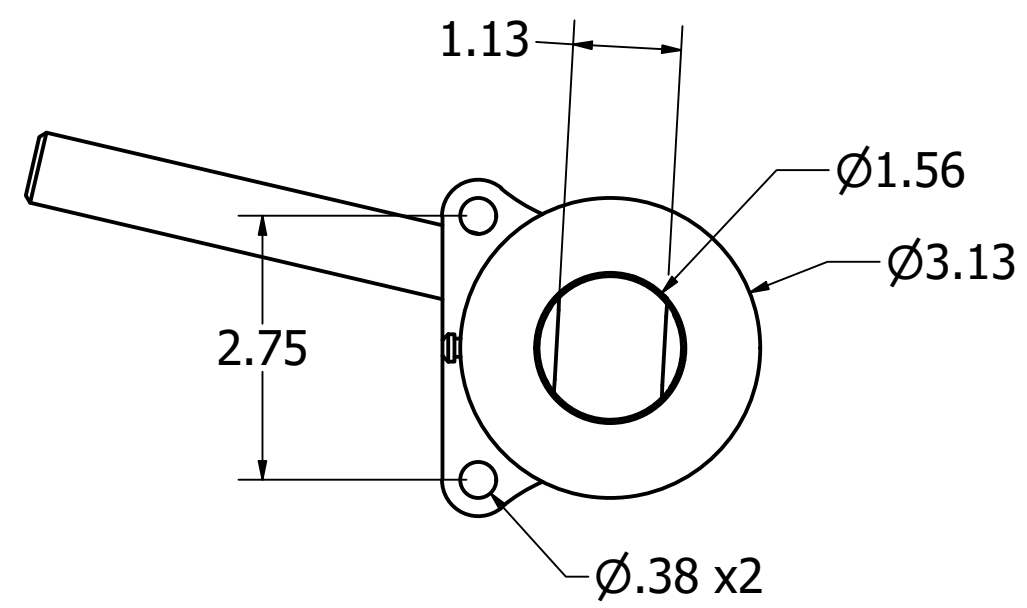


PCN, ECN, ECR	LOCATION	REV	BY	DATE	REMARKS
-	-	-	CHK	-	REMARKS



<input type="checkbox"/> CC	FEATURES LABELED AS SUCH SHALL REQUIRE STATISTICAL PROCESS CONTROL
<input type="checkbox"/> SC	FEATURES LABELED AS SUCH REQUIRE REFERENCE TO A CONTROL PLAN

SHEET 1 of 1	INITIALS DATE	DR. EDC 6/12/2013	CK. -	ENGR. -	MFG. -	QUAL. -	MATL. -
COUNTRY OF ORIGIN	UNITS MILLIMETERS	3RD ANGLE PROJECTION	DO NOT SCALE PLOT SCALE 1:1 DRAWING SCALE NTS				
<b>GEOMETRIC TOLERANCE SYMBOLS</b> ○ CONCENTRICITY    ⊕ POSITION    ⊥ PERPENDICULARITY ≡ SYMMETRICAL    ○ CIRCULARITY    — STRAIGHTNESS // PARALLELISM    / CYLINDRICITY    / ANGULARITY / FLATNESS    / TOTAL RUNOUT    / CIRCULAR RUNOUT ○ MOST MATERIAL CONDITION    / PROFILE OF A LINE △ PROFILE OF A SURFACE    ⊕ BASIC DIMENSION ○ LEAST MATERIAL CONDITION    □ DATUM ○ REGARDLESS OF FEATURE SIZE    — PATH				KRISRY INTERNATIONAL INC. (847) 487-4907 - phone 1000 N. Rand Road, Suite 117 Wauconda, Illinois 60084 This drawing is the property of Krisry International Inc. It is furnished to you for confidential information purposes only. It is not to be disclosed to anyone else, reproduced, or used for manufacturing purposes without the express written permission of Krisry International Inc.			
DRAWING TITLE FRONT LOCKING PIN							REV
DRAWING NUMBER KRY-5							DWG SIZE C