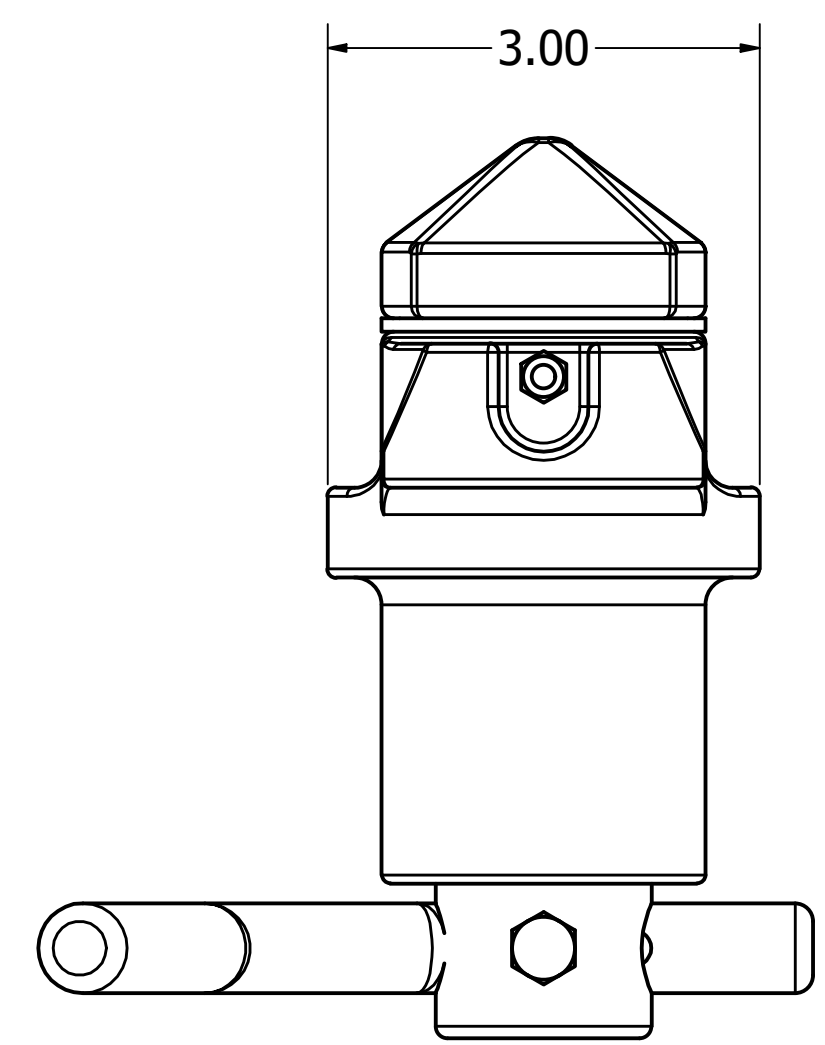
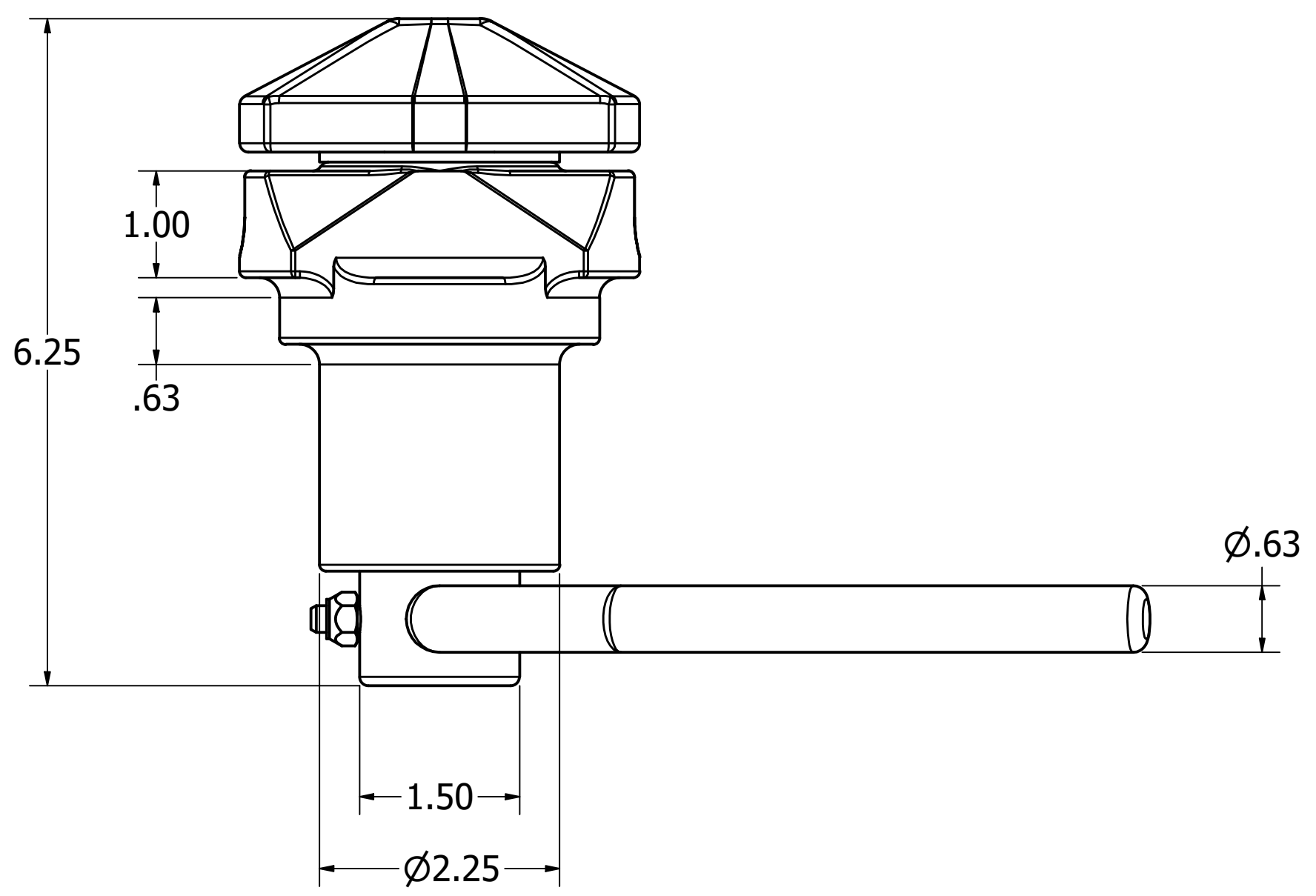
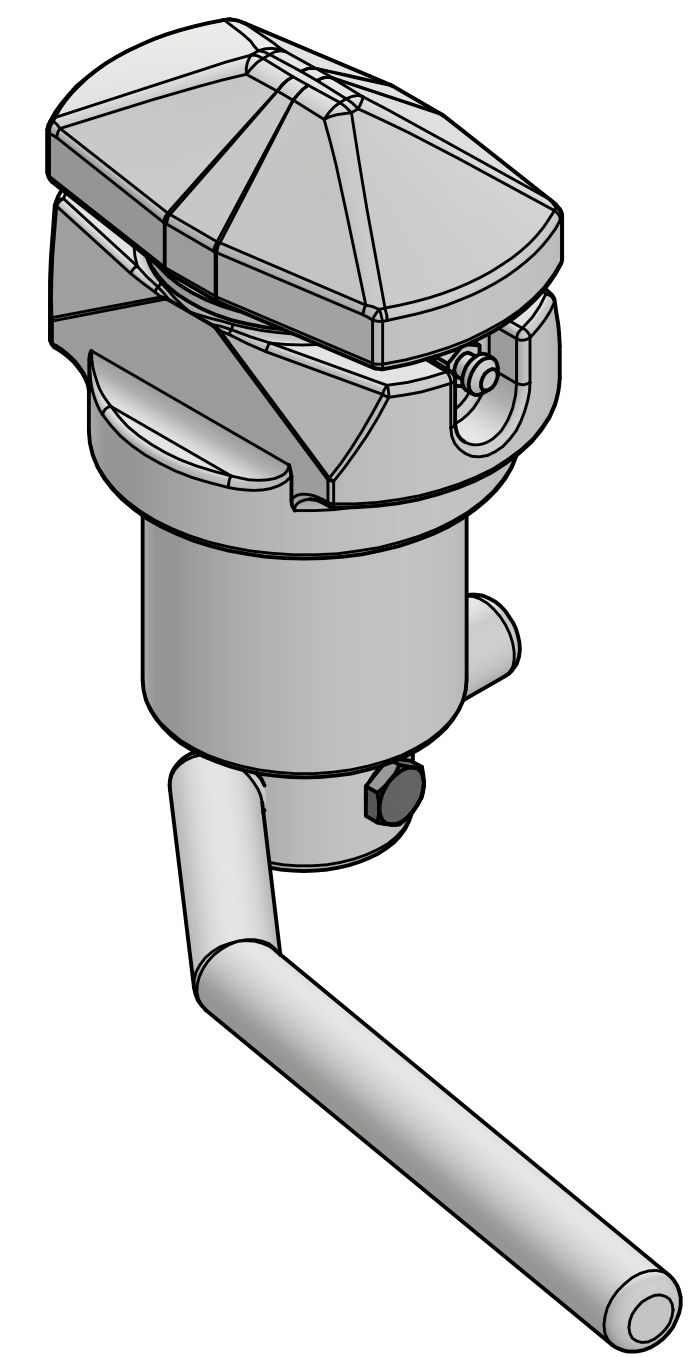
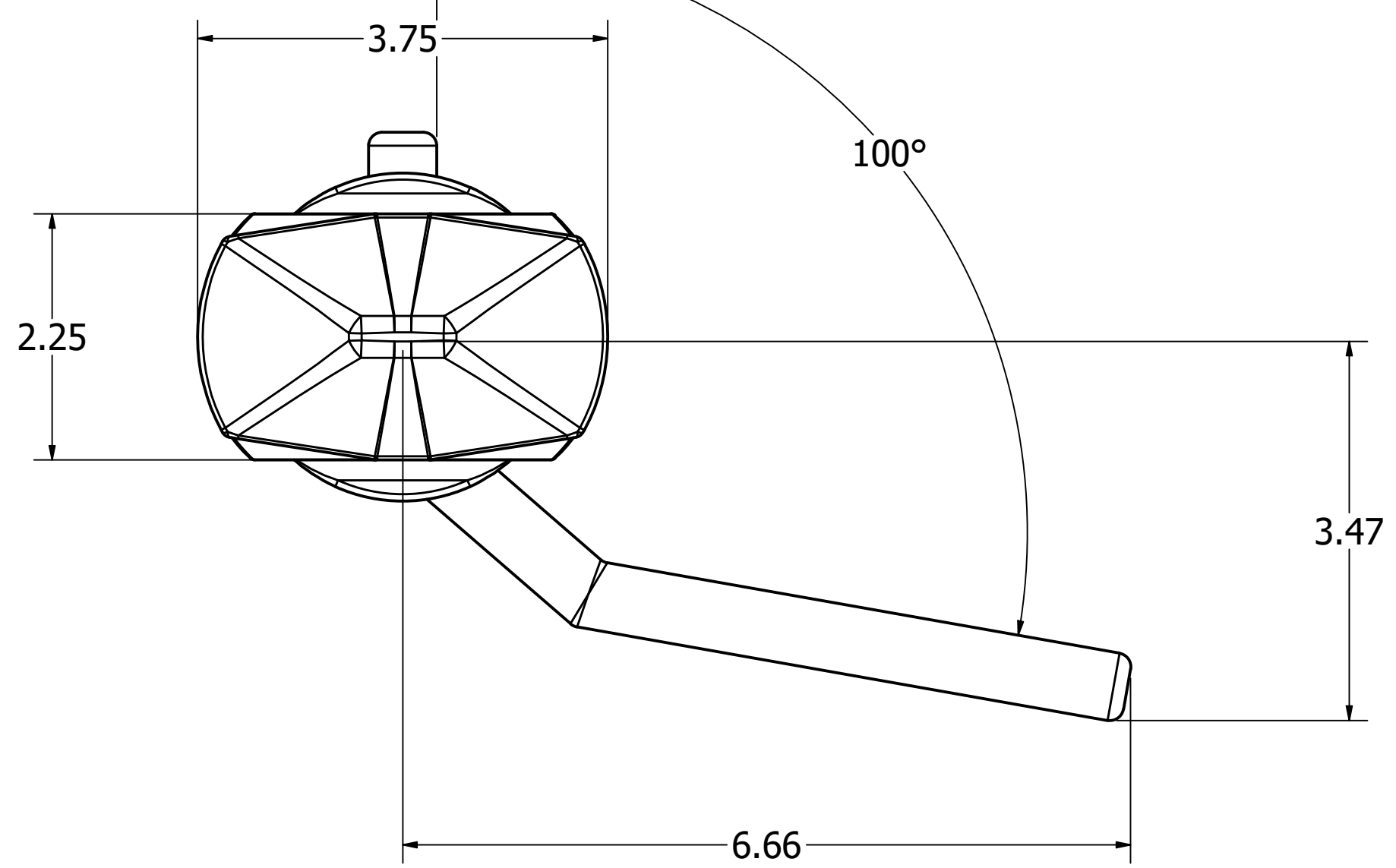


PCN, ECN, ECR	LOCATION	REV	BY	DATE	REMARKS
-	-	-	CHK	-	REMARKS



REVISION A: 3/2/23 CHANGE LEAD LINES FOR DIMENSIONS ON BOTTOM LEFT HAND DRAWING AND FIXED DRAWING DATE AND UNITS

CC	FEATURES LABELED AS SUCH SHALL REQUIRE STATISTICAL PROCESS CONTROL
SC	FEATURES LABELED AS SUCH REQUIRE REFERENCE TO A CONTROL PLAN

SHEET 1 of 1	INITIALS DATE	DR. 1/30/23	EDC	CK.	ENGR.	MFG.	QUAL.	MATL.
COUNTRY OF ORIGIN		3RD ANGLE PROJECTION	DO NOT SCALE					
UNITS INCHES		PLOT SCALE 1:1 DRAWING SCALE NTS		KRISRY INTERNATIONAL INC. (847) 487-4907 - phone 1000 N. Rand Road, Suite 117 Wauconda, Illinois 60084				
<b>GEOMETRIC TOLERANCE SYMBOLS</b> CONCENTRICITY, SYMMETRICAL, PARALLELISM, FLATNESS, MOST MATERIAL CONDITION, PROFILE OF A SURFACE, LEAST MATERIAL CONDITION, REGARDLESS OF FEATURE SIZE, POSITION, CIRCULARITY, CYLINDRICITY, TOTAL RUNOUT, PROFILE OF A LINE, PERPENDICULARITY, STRAIGHTNESS, ANGULARITY, CIRCULAR RUNOUT, PROFILE OF A LINE, BASIC DIMENSION, DATUM				This drawing is the property of Krisry International Inc. It is furnished to you for confidential information purposes only. It is not to be disclosed to anyone else, reproduced, or used for manufacturing purposes without the express written permission of Krisry International Inc.				
DRAWING TITLE DROP IN TWISTLOCK								REV 2
DRAWING NUMBER KRY7								DWG SIZE C